



Part no.: 50130610
MD 7XXP-11-42IO5-12
Distribution box



Figure can vary

Contents

- Technical data
- Dimensioned drawings
- Circuit diagrams
- Operation and display
- Accessories



Part no.: 50130610 – MD 7XXP-11-42IO5-12 – Distribution box

Technical data

Electrical data

Switching signal	PNP
------------------	-----

Performance data

Total current	12 A
---------------	------

Connection

Master connection

Type of connection	Connector
Function	Connection to the control
Thread size	M12
No. of pins	12 -pin
Encoding	A-coded
Type	Male

Distribution box connections

Number of connections	4 Piece(s)
Thread size	M12
No. of pins	5 -pin
Encoding	A-coded
Type	Female
Material	Plastic
Material of O-ring seal	TPU
Material of contacts	Gold-plated
Operating current per contact	1.5 A

Mechanical data

Design	Cubic
Dimension (W x H x L)	50 mm x 31 mm x 100 mm
Housing material	Plastic
Net weight	105 g

Operation and display

Type of display	LED
-----------------	-----

Environmental data

Ambient temperature, operation, flexible use	-20 ... 60 °C
Ambient temperature, operation, stationary use	-20 ... 60 °C

Certifications

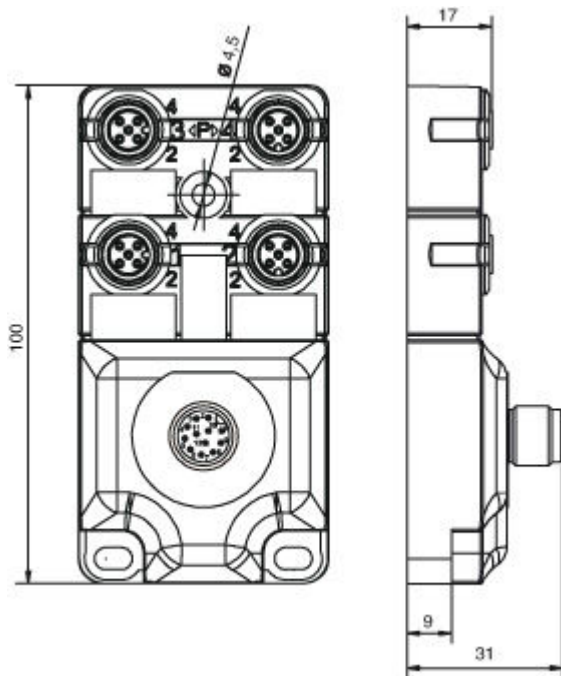
Degree of protection	IP 67, IP 65
Certifications	c UL US

Classification

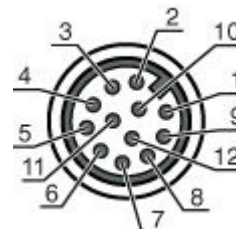
eCl@ss 8.0	27279219
eCl@ss 9.0	27440108
ETIM 5.0	EC002585

Dimensioned drawings

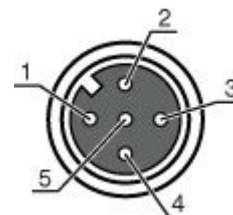
All dimensions in millimeters



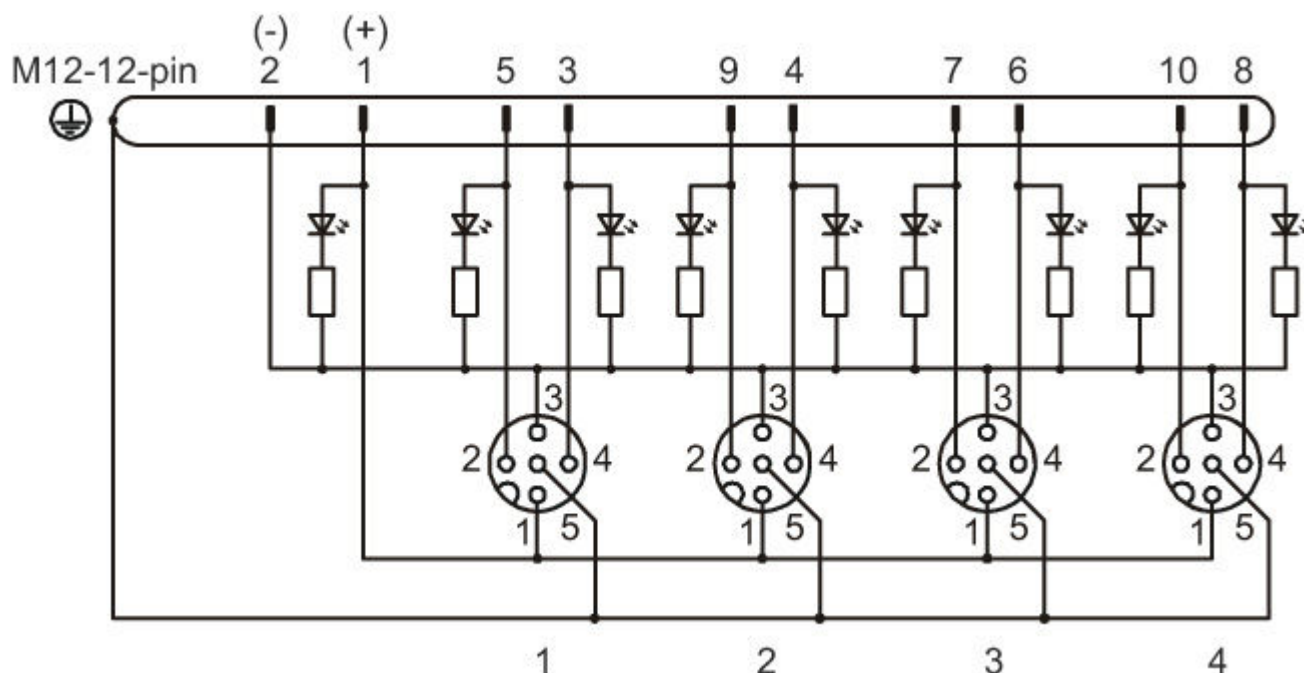
Pin	Pin assignment
1	Socket 1-4 / contact 1
2	Socket 1-4 / contact 3
3	Socket 1 / contact 4
4	Socket 2 / contact 4
5	Socket 1 / contact 2
6	Socket 3 / contact 4
7	Socket 3 / contact 2
8	Socket 4 / contact 4
9	Socket 2 / contact 2
10	Socket 4 / contact 2
11	n.c.
12	n.c.



Pin	Pin assignment
1	+
2	Signal 2 (NC)
3	-
4	Signal 1 (NO)
5	PE



Circuit diagrams



Operation and display

LEDs


LED	Display	Meaning
1	Green, continuous light	Operating voltage applied
2	Yellow, continuous light	Signal 1
3	White, continuous light	Signal 2

Accessories


Connection technology - Connection cables

	Part no.	Designation	Article	Description
	50130281	KD S-M12-CA-P1-020	Connection cable	Connection 1: Connector, M12, Axial, Female, A-coded, 12 -pin Connection 2: Open end Shielded: Yes Cable length: 2,000 mm Sheathing material: PUR
	50130282	KD S-M12-CA-P1-050	Connection cable	Connection 1: Connector, M12, Axial, Female, A-coded, 12 -pin Connection 2: Open end Shielded: Yes Cable length: 5,000 mm Sheathing material: PUR


Part no.: 50130610 – MD 7XXP-11-42IO5-12 – Distribution box

	Part no.	Designation	Article	Description
	50130283	KD S-M12-CA-P1-100	Connection cable	Connection 1: Connector, M12, Axial, Female, A-coded, 12 -pin Connection 2: Open end Shielded: Yes Cable length: 10,000 mm Sheathing material: PUR

Connection technology - Connectors

	Part no.	Designation	Article	Description
	50132254	D M12A-12P	Connector	Connection: Connector with solder connection, M12, Axial, Female, A-coded, 12 -pin

General

	Part no.	Designation	Article	Description
	50134480	CAP M12K-Set	Connection cap	Type: Cap for free sockets Thread size: M12 Material: Plastic