



Part no.: 50133017
MSI-SR-2H21-03
Safety relay



Figure can vary

Contents

- Technical data
- Dimensioned drawings
- Electrical connection
- Circuit diagrams
- Notes



Part no.: 50133017 – MSI-SR-2H21-03 – Safety relay

Technical data

Basic data	
Series	MSI-SR-2H21
Application	Evaluation unit for two-hand control devices

Electrical data	
Supply circuit	
Nominal voltage U_N	24 V
Nominal voltage U_N	AC/DC
Nominal frequency	50 ... 60 Hz
Rated control supply voltage U_S at AC 60 Hz	20.4 V
Rated control supply voltage U_S at AC 50 Hz	26.4 V
Max. rated control supply voltage at AC 50 Hz	26.4 V
Min. rated control supply voltage U_S at AC 50 Hz	20.4 V
Min. rated control supply voltage U_S at DC	20.4 V
Max. rating control supply voltage at DC	26.4 V
Min. rating control supply voltage at DC	20.4 V
Rated power DC	2.4 W
Galvanic isolation between supply and control circuit	Yes (when $U_N \geq$ AC 115-230 V, AC 230 V)
Output circuit	
Number of outputs, safety-oriented, undelayed, contact-based	2 Piece(s)
Number of outputs, signaling function, undelayed, contact-based	1 Piece(s)
Release current paths	NO
Signaling current paths	NC
Contact material	Ag alloy, gold-plated
Usage category AC-15 (NO contact)	Ue 230V, Ie 3A
Usage category DC-13 (NO contact)	Ue 24V, Ie 2,5A
Short circuit protection (NO contact)	gG class safety fuse 6A, melting integral
Nominal switching voltage, release current paths AC	230 V
Max. thermal continuous current I_{th} , release current paths	6 A
Max. thermal continuous current I_{th} , signaling current paths	2 A
Max. total current I^2 of all current paths	9 A ²
Mechanical life time	100.000.000 switching cycles
Control circuit	
Executing the switching function of the inputs	Changeover
Nominal output voltage DC	24 V
Input current at the control inputs (safety circuit/reset circuit)	60 mA
Max. peak current at the control inputs (safety circuit/reset circuit)	1.000 mA
Max. cable resistance, per channel	$\leq (5 + (1.333 \times U_B / U_N - 1) \times 200) \Omega$
Response time (automatic start t_{A2})	40 ms
Response time (manual start t_{A1})	40 ms
Release time t_R	50 ms
Synchronous time monitoring t_S	500 ms
Recovery time t_W	250 ms

Connection	
Number of connections	1 Piece(s)

Part no.: 50133017 – MSI-SR-2H21-03 – Safety relay

Connection 1

Type of connection	Terminal
Function	Signal IN, Voltage supply, Signal OUT
Type of terminal	Spring-cage terminal
No. of pins	16 -pin

Cable properties

Connection cross sections	2 x 0.2 to 1.5 mm ² , wire, 2 x 0.2 to 1.5 mm ² , wire, 2 x 0.25 to 1.5 mm ² , wire with wire-end sleeve
---------------------------	---

Mechanical data

Width	22.5 mm x 107 mm x 114 mm
Net weight	200 g
Housing color	Gray
Type of fastening	Snap-on mounting

Certifications

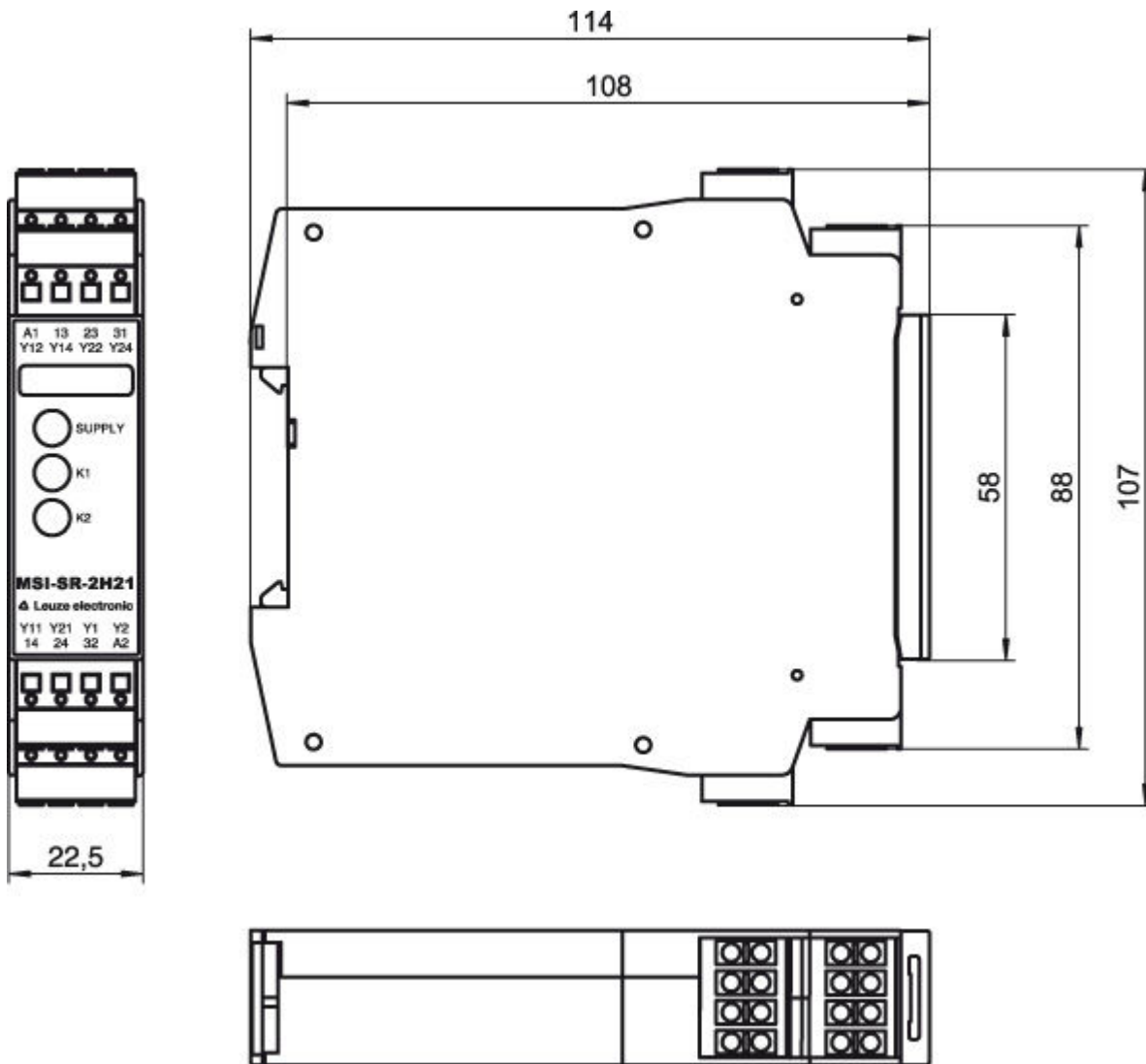
Certifications	c UL US, TÜV Rheinland
----------------	------------------------

Classification

eCl@ss 8.0	27371821
eCl@ss 9.0	27371821
ETIM 5.0	EC001452

Dimensioned drawings

All dimensions in millimeters



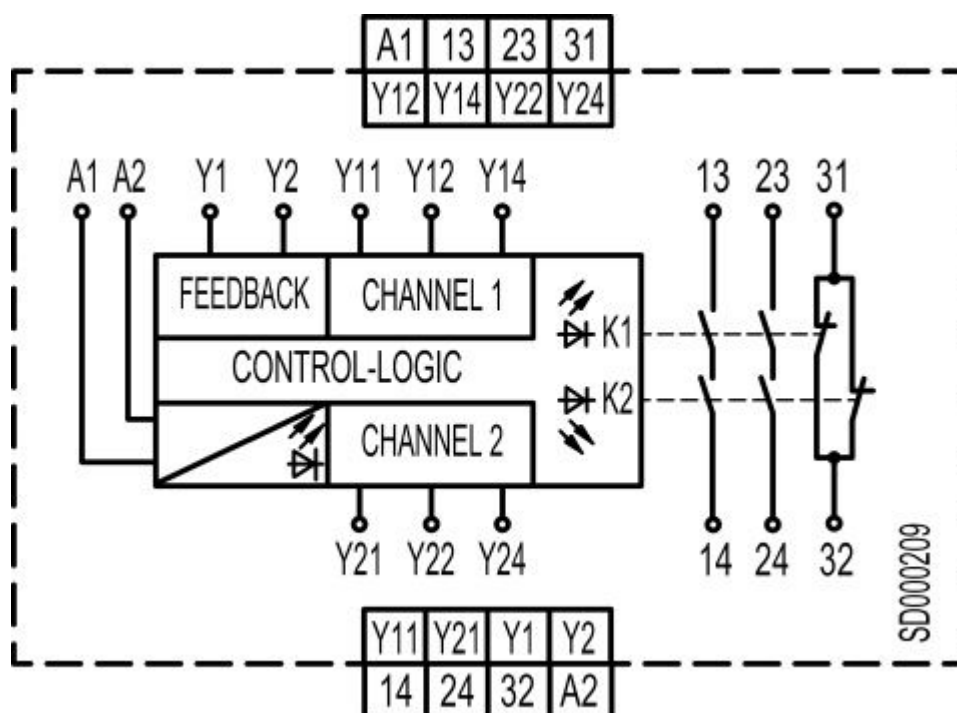
Electrical connection

Connection 1	
Type of connection	Terminal
Function	Signal IN, Voltage supply, Signal OUT
Type of terminal	Spring-cage terminal
No. of pins	16 -pin

Terminal	Assignment
13	Release current path 1 (NO contact)
14	Release current path 1 (NO contact)
23	Release current path 2 (NO contact)
24	Release current path 2 (NO contact)
31	Signaling current path (NC contact)
32	Signaling current path (NC contact)
A1	+24V
A2	GND
Y1	Feedback path (NC contact)

Terminal	Assignment
Y2	Feedback path (NC contact)
Y11	Control circuit 1 of two-hand button
Y12	Control circuit 1 of two-hand button
Y14	Control circuit 1 of two-hand button
Y21	Control circuit 2 of two-hand button
Y22	Control circuit 2 of two-hand button
Y24	Control circuit 2 of two-hand button

Circuit diagrams



Notes

Observe intended use!

- The product may only be put into operation by competent persons.
- Only use the product in accordance with its intended use.