

Part no.: 50132998
MSI-EM-IO84NP-03
Safety relay



Figure can vary

Contents

- Technical data
- Dimensioned drawings
- Electrical connection
- Circuit diagrams
- Notes



Part no.: 50132998 – MSI-EM-IO84NP-03 – Safety relay

Technical data

Basic data	
Series	MSI-EM

Electrical data	
Performance data	
Supply voltage	24 V, DC, -30 ... 25 %
Power consumption, max.	0.5 W
Output circuit	
Number of outputs	4 Piece(s)
Type of digital output	Transistor
Short circuit protection, outputs	Yes
Output current	0.5 A
Control circuit	
Number of inputs	8 Piece(s)
Voltage permitted at the input	30 V
Input current at signal 1	3 mA

Interface	
Type	Internal bus (SBUS+)

Connection	
Number of connections	1 Piece(s)
Connection 1	
Type of connection	Terminal
Function	Signal OUT, Voltage supply, Signal IN
Type of terminal	Spring-cage terminal
No. of pins	16 -pin
Cable properties	
Connection cross sections	2 x 0.25 to 1.5 mm ² , wire with wire-end sleeve (pressed in trapezium shape), 2 x 0.2 to 1.5 mm ² , wire, 2 x 0.2 to 1.5 mm ² , wire

Mechanical data	
Width	22.5 mm x 107 mm x 120.8 mm
Net weight	180 g
Housing color	Gray
Type of fastening	Snap-on mounting

Environmental data	
Ambient temperature, operation	-25 ... 65 °C
Ambient temperature, storage	-25 ... 70 °C
Relative humidity (non-condensing)	10 ... 95 %

Certifications	
Degree of protection	IP 20 (terminals), IP 40 (housing)
Protection class	III
Certifications	c UL US
Vibration resistance	5 ... 150 Hz
Test procedure for oscillation in accordance with standard	EN 60068-2-6

Part no.: 50132998 – MSI-EM-IO84NP-03 – Safety relay

Shock resistance, single shock

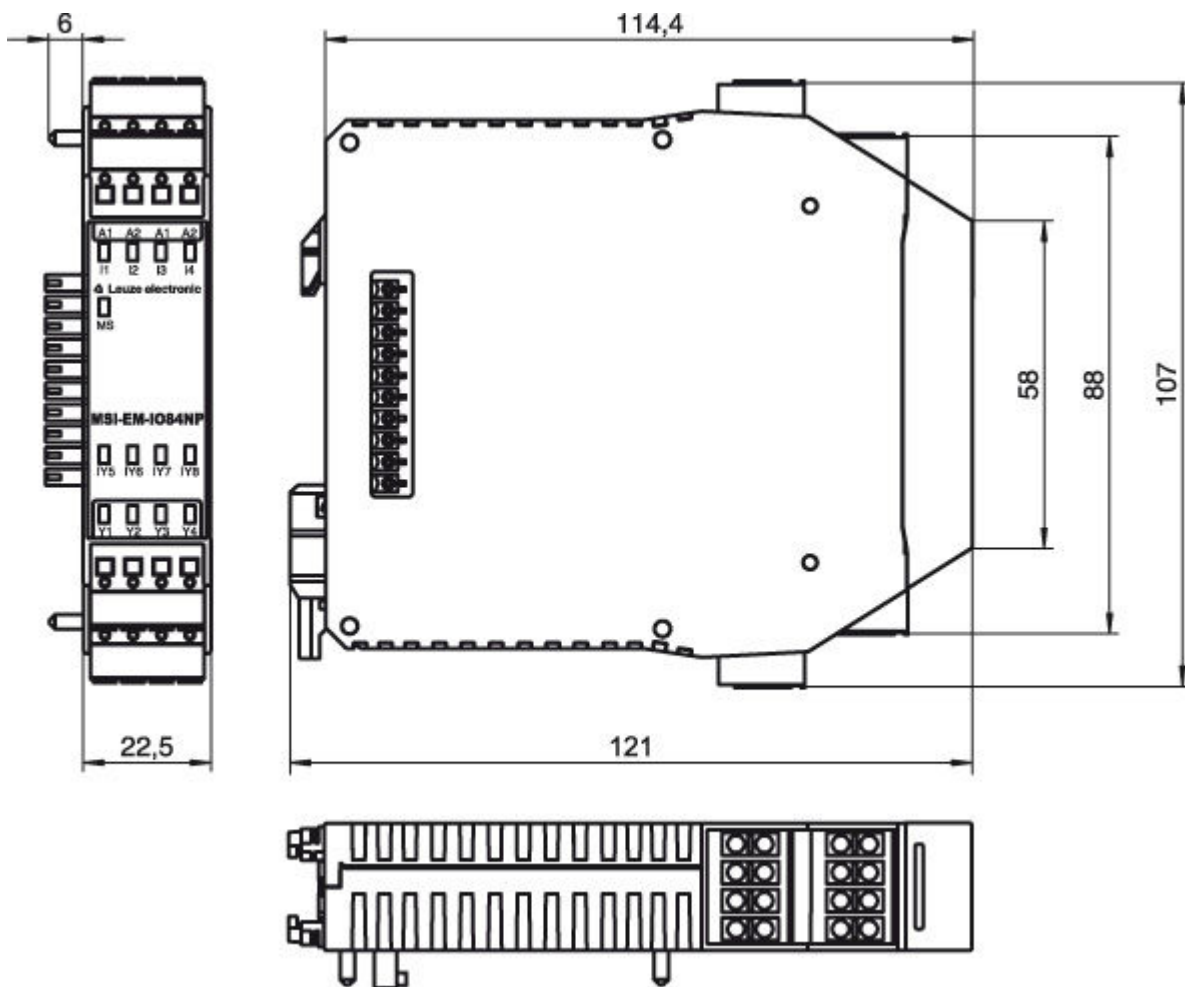
30 g, 11 ms, EN 60068-2-27

Classification

eCl@ss 8.0	27242204
eCl@ss 9.0	27242204
ETIM 5.0	EC001419

Dimensioned drawings

All dimensions in millimeters

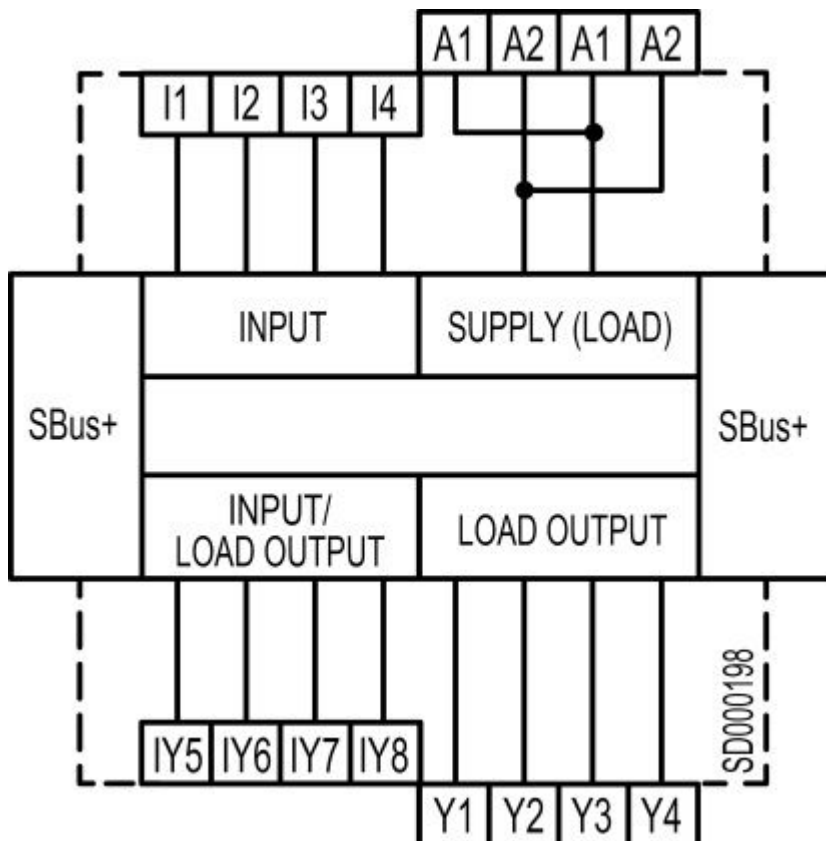


Electrical connection

Connection 1	
Type of connection	Terminal
Function	Signal OUT, Voltage supply, Signal IN
Type of terminal	Spring-cage terminal
No. of pins	16 -pin

Terminal	Assignment
A1	+24V
A1	+24V
A2	GND
A2	GND
I1	Safe input
I2	Safe input
I3	Safe input
I4	Safe input
IY5	Safe input/output (configurable)
IY6	Safe input/output (configurable)
IY7	Safe input/output (configurable)
IY8	Safe input/output (configurable)
Y1	Safe output
Y2	Safe output
Y3	Safe output
Y4	Safe output

Circuit diagrams



Part no.: 50132998 – MSI-EM-IO84NP-03 – Safety relay

Notes

Observe intended use!

- The product may only be put into operation by competent persons.
- Only use the product in accordance with its intended use.