



Part no.: 50132994
MSI-FB-CANOPEN
Safety relay



Figure can vary

Contents

- Technical data
- Dimensioned drawings
- Electrical connection
- Circuit diagrams
- Notes



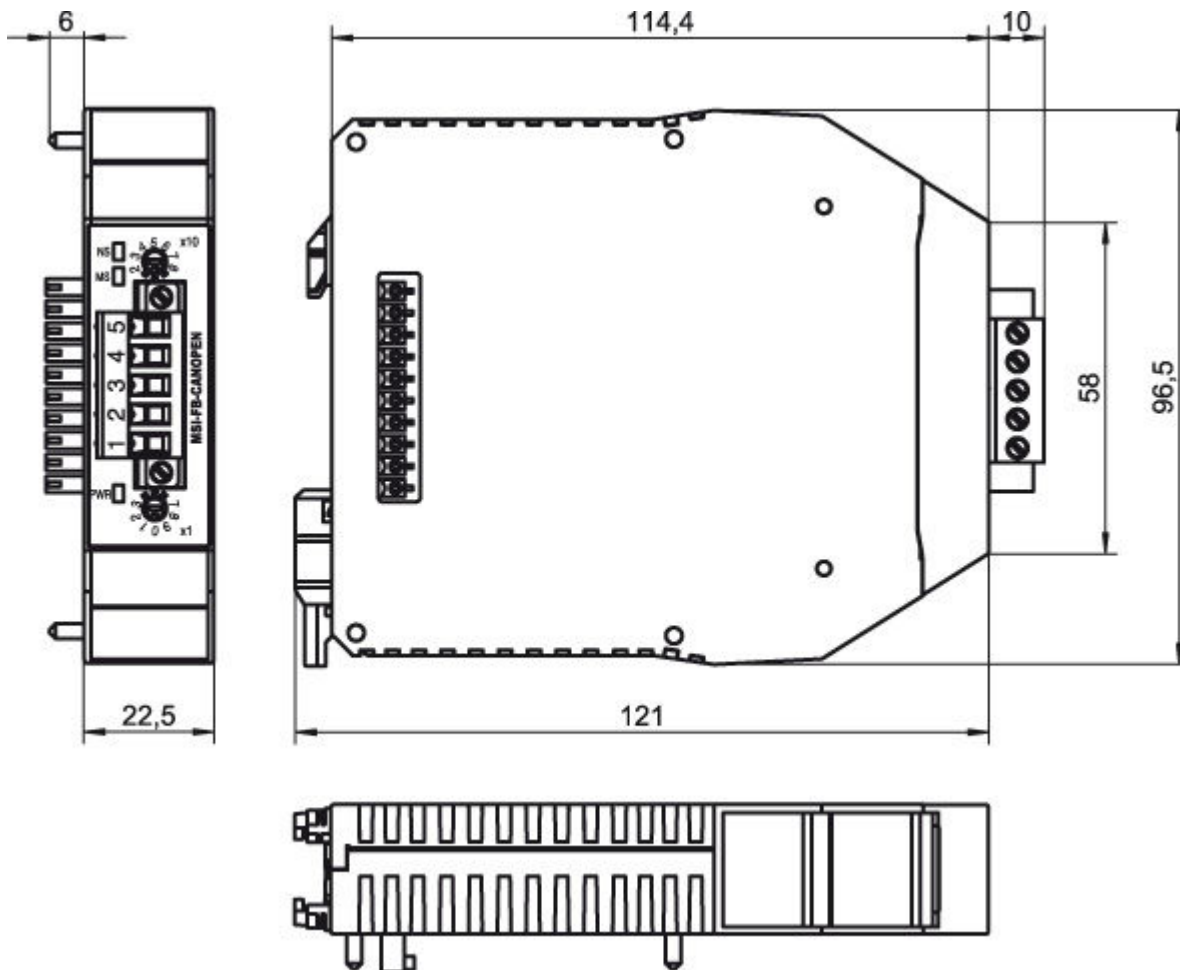
Part no.: 50132994 – MSI-FB-CANOPEN – Safety relay

Technical data

Basic data	
Series	MSI-FB
Electrical data	
Performance data	
Supply voltage	24 V, DC, -20 ... 25 %
Interface	
Type	CANopen
CANopen	
Function	Process
Connection	
Number of connections	1 Piece(s)
Connection 1	
Type of connection	Terminal
Function	Data interface
Type of terminal	Screw terminal
No. of pins	5 -pin
Mechanical data	
Width	22.5 mm x 96.5 mm x 121 mm
Net weight	150 g
Housing color	Gray
Type of fastening	Snap-on mounting
Environmental data	
Ambient temperature, operation	-25 ... 55 °C
Ambient temperature, storage	-25 ... 70 °C
Relative humidity (non-condensing)	10 ... 95 %
Certifications	
Degree of protection	IP 20
Certifications	c UL US
Vibration resistance	5 ... 150 Hz
Test procedure for oscillation in accordance with standard	EN 60068-2-6
Shock resistance, single shock	30 g, 11 ms, EN 60068-2-27
Shock resistance, continuous shock	10 g, 16 ms, EN 60068-2-29
Classification	
eCl@ss 8.0	27242208
eCl@ss 9.0	27242208
ETIM 5.0	EC001423

Dimensioned drawings

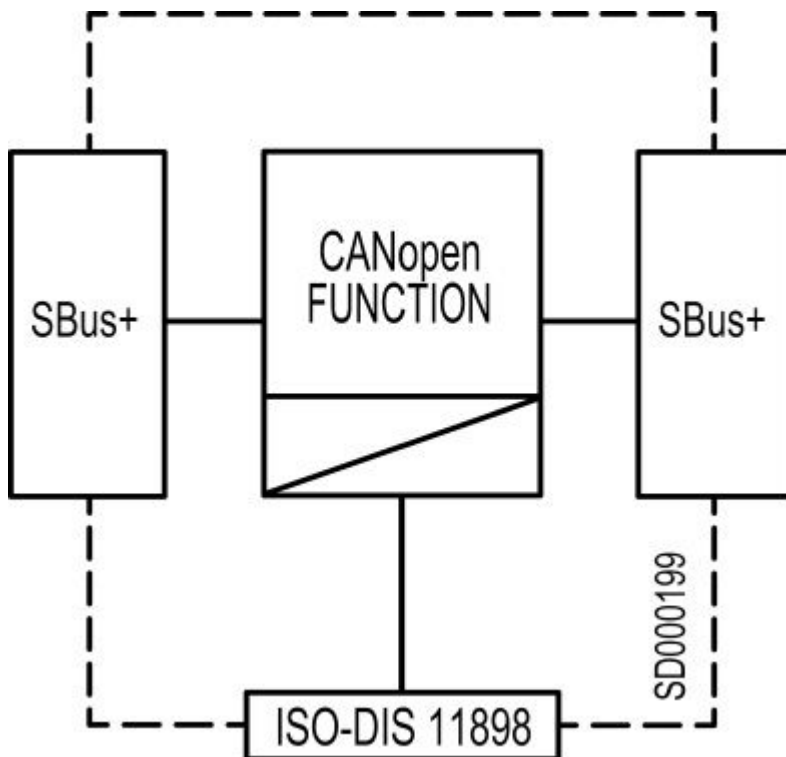
All dimensions in millimeters



Electrical connection

Connection 1	
Type of connection	Terminal
Function	Data interface
Type of terminal	Screw terminal
No. of pins	5 -pin

Terminal	Assignment
1	n.c.
2	CAN low
3	Shield
4	CAN high
5	n.c.

Circuit diagrams**Notes****Observe intended use!**

- The product may only be put into operation by competent persons.
- Only use the product in accordance with its intended use.