



**Part no.: 50132991**  
**MSI-EM-IO84-03**  
**Safety relay**



Figure can vary

## Contents

- Technical data
- Dimensioned drawings
- Electrical connection
- Circuit diagrams
- Notes



Part no.: 50132991 – MSI-EM-IO84-03 – Safety relay

## Technical data

<b>Basic data</b>	
Series	MSI-EM
<b>Characteristic parameters</b>	
Mission time $T_M$	20 years, EN ISO 13849-1
<b>Electrical data</b>	
<b>Performance data</b>	
Supply voltage	24 V, DC, -30 ... 25 %
Power consumption, max.	1.1 W
<b>Output circuit</b>	
Number of outputs	4 Piece(s)
Type of digital output	Transistor
Short circuit protection, outputs	Yes
Min. voltage permitted at the output	16.8 V
Max. voltage permitted at the output	30 V
Output current	2 A
<b>Control circuit</b>	
Number of inputs	8 Piece(s)
Voltage permitted at the input	30 V
Input current at signal 1	8 mA
<b>Interface</b>	
Type	Internal bus (SBUS+)
<b>Connection</b>	
Number of connections	1 Piece(s)
<b>Connection 1</b>	
Type of connection	Terminal
Function	Signal OUT, Voltage supply, Signal IN
Type of terminal	Spring-cage terminal
No. of pins	16 -pin
<b>Cable properties</b>	
Connection cross sections	2 x 0.2 to 1.5 mm <sup>2</sup> , wire, 2 x 0.2 to 1.5 mm <sup>2</sup> , wire, 2 x 0.25 to 1.5 mm <sup>2</sup> , wire with wire-end sleeve (pressed in trapezium shape)
<b>Mechanical data</b>	
Width	22.5 mm x 107 mm x 120.8 mm
Net weight	180 g
Housing color	Gray
Type of fastening	Snap-on mounting
<b>Environmental data</b>	
Ambient temperature, operation	-25 ... 65 °C
Ambient temperature, storage	-25 ... 70 °C
Relative humidity (non-condensing)	10 ... 95 %
<b>Certifications</b>	

## Part no.: 50132991 – MSI-EM-IO84-03 – Safety relay

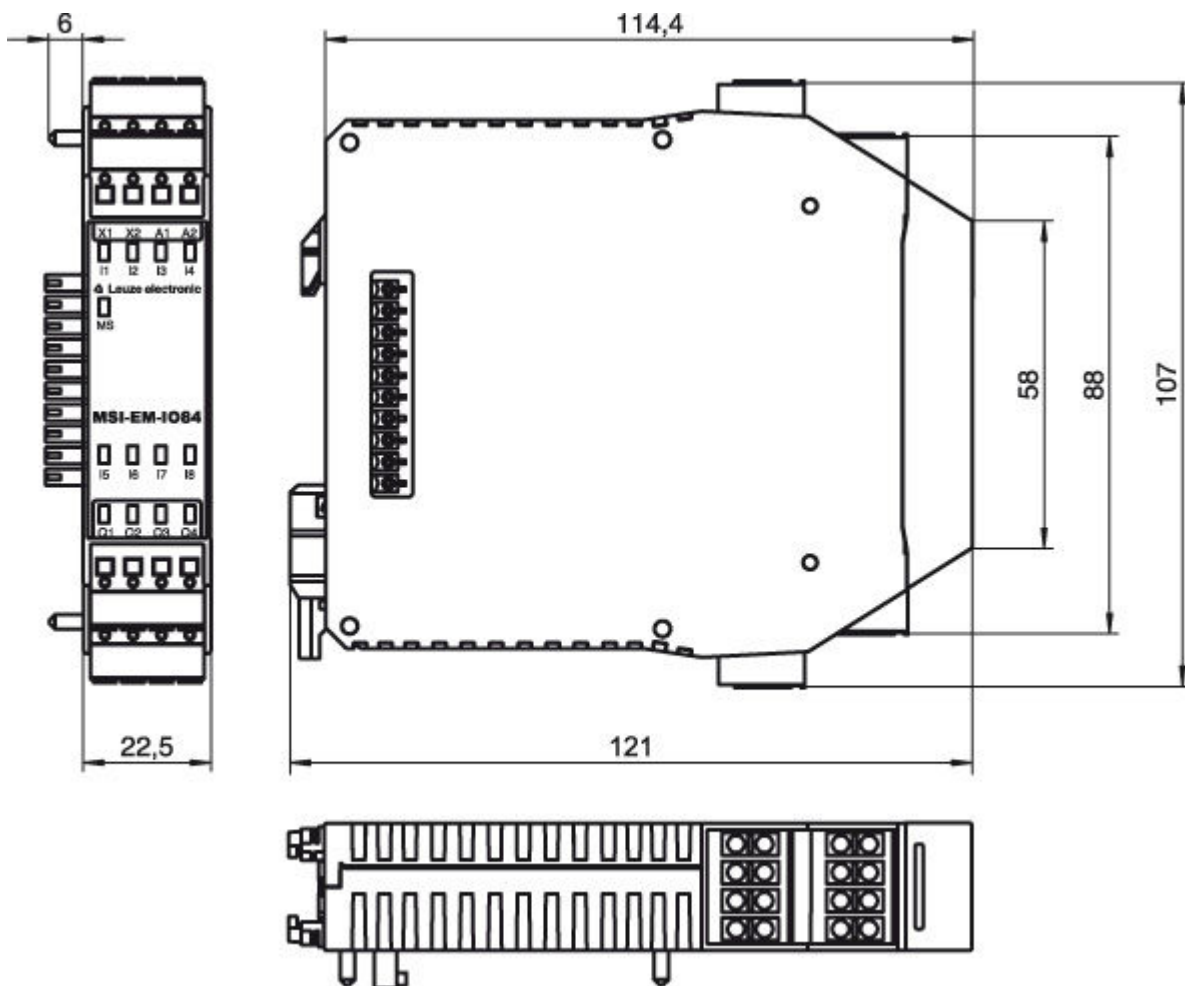
Degree of protection	IP 40 (housing), IP 20 (terminals)
Protection class	III
Certifications	c UL US, TÜV Rheinland
Vibration resistance	5 ... 500 Hz
Test procedure for oscillation in accordance with standard	EN 60068-2-6
Shock resistance, single shock	30 g, 11 ms, EN 60068-2-27
Shock resistance, continuous shock	10 g, 16 ms, EN 60068-2-29

### Classification

eCl@ss 8.0	27242204
eCl@ss 9.0	27242204
ETIM 5.0	EC001419

## Dimensioned drawings

All dimensions in millimeters



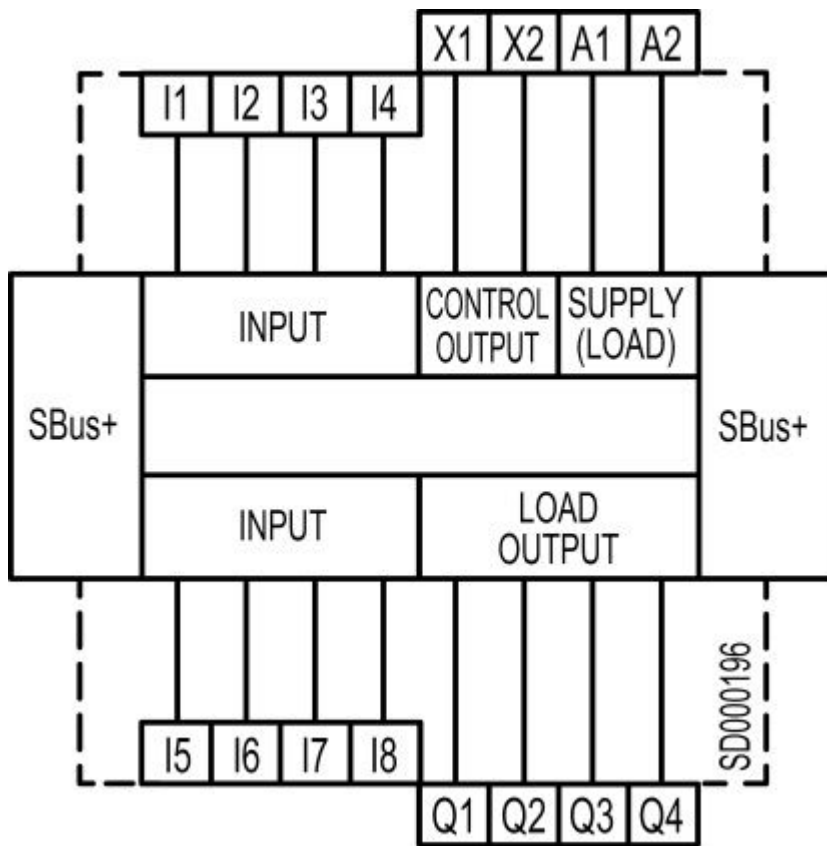
Part no.: 50132991 – MSI-EM-IO84-03 – Safety relay

## Electrical connection

Connection 1	
Type of connection	Terminal
Function	Signal OUT, Voltage supply, Signal IN
Type of terminal	Spring-cage terminal
No. of pins	16 -pin

Terminal	Assignment
A1	+24V
A2	GND
I1	Safe input
I2	Safe input
I3	Safe input
I4	Safe input
I5	Safe input
I6	Safe input
I7	Safe input
I8	Safe input
Q1	Safe output
Q2	Safe output
Q3	Safe output
Q4	Safe output
X1	Test signal output
X2	Test signal output

**Circuit diagrams**



**Notes**

**Observe intended use!**

- The product may only be put into operation by competent persons.
- Only use the product in accordance with its intended use.