

## BT-2HF



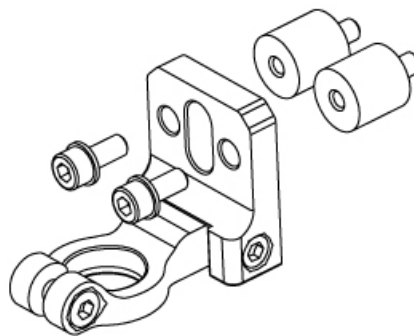
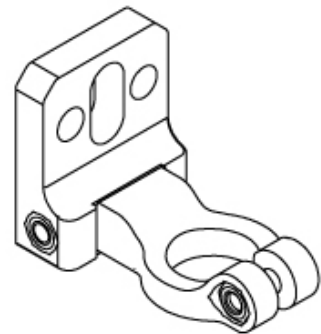
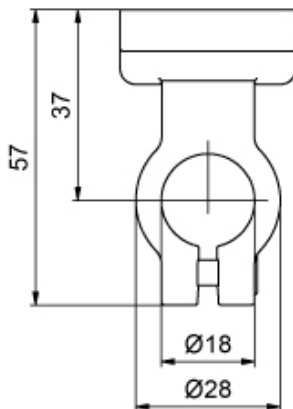
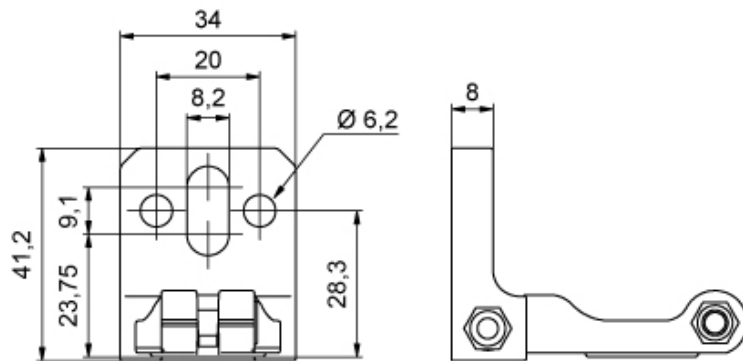
### Swivel mounts

The mounting bracket set is used to fasten MLC safety light curtains.

### Features

- Simplification of the transmitter/receiver alignment of MLC safety light curtains
- 360° rotation

### Dimensioned drawing



### Order guide

Part no.	Article	Description
429393	BT-2HF	2x BT-HF swivel mount, 1x cylinder for fastening to MLC
429394	BT-2HF-S	2x BT-HF swivel mount, vibration-damped, 1x cylinder for fastening to MLC
429395	BT-2HF-G	2x BT-HF swivel mount, 2x cylinder for fastening to MLC, Middle Guest or Guest
429396	BT-2HF-GS	2x BT-HF swivel mount, vibration damped, 2x cylinder for fastening to MLC, Middle Guest or Guest