

# Accessories—One-Touch Fittings

## One-touch fittings—threaded type



### Ordering code

## NPL 1/4 - 1/8

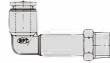


#### ① Model

NPL: Male elbow



NPLL: Extended male elbow



NPEB: Male branch tee



NPLF: Female elbow



NPED: Male run tee



NPCF: Female connector



NPYB: Branch "Y"



NPMF: Bulkhead connector



#### ② Port size

1/8:  $\Phi$  1/8"  
 5/32:  $\Phi$  5/32"  
 1/4:  $\Phi$  1/4"  
 5/16:  $\Phi$  5/16"  
 3/8:  $\Phi$  3/8"  
 1/2:  $\Phi$  1/2"

#### ③ Thread connection

Thread connection	Adaptable port size
U10: #10-32UNF	$\Phi$ 1/8", $\Phi$ 5/32", $\Phi$ 1/4"
1/8: NPT1/8	$\Phi$ 5/32", $\Phi$ 1/4"
1/4: NPT1/4	$\Phi$ 5/16", $\Phi$ 3/8"
3/8: NPT3/8	$\Phi$ 1/2"
1/2: NPT1/2	

### Table for interface port and tube O.D.

Product series	Thread type	Port size					
		$\Phi$ 1/8"	$\Phi$ 5/32"	$\Phi$ 1/4"	$\Phi$ 5/16"	$\Phi$ 3/8"	$\Phi$ 1/2"
NPL	#10-32UNF	●	●	●			
	NPT1/8		●	●	●	●	
	NPT1/4			●	●	●	●
	NPT3/8			●	●	●	●
	NPT1/2					●	●
NPLL	#10-32UNF		●	●			
	NPT1/8		●	●	●	●	
	NPT1/4			●	●	●	●
	NPT3/8			●	●	●	●
	NPT1/2					●	●
NPLF	#10-32UNF		●	●			
	NPT1/8		●	●	●	●	
	NPT1/4			●	●	●	●
	NPT3/8			●	●	●	●
	NPT1/2					●	●
NPMF	#10-32UNF		●	●	●	●	
	NPT1/8		●	●	●	●	●
	NPT1/4			●	●	●	●
	NPT3/8			●	●	●	●
	NPT1/2					●	●

### Product feature

1. Variable models can be widely used in every kind of pneumatic systems.
2. High circulation performance: bear the same flow with the volume of the tubing inside diameter.
3. Connect tubing easily and conveniently. The tubing connection portion is safe and durable.
4. The threaded portion is covered with sealant and the #10-32UNF thread is attached with a sealing gasket to prevent air leakage over the connection thread portion.
5. The nickel plated body is anti-corrosion and anti-pollution, which allows a broader application.

### Specification

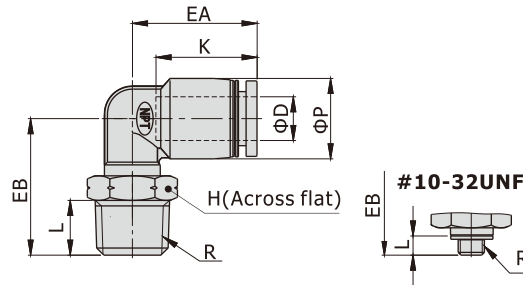
<b>Operating pressure range</b>	<b>0~145psi(0~1.0MPa)</b>
Negative pressure	10Torr(-750mmHg)
Proof pressure	215psi(1.5MPa)
Ambient and fluid temperature	-5~160°F(-20~70°C)
Applicable tubing	Soft nylon or polyurethane

# Accessories—One-Touch Fittings

## One-touch fittings—threaded type

### Dimensions

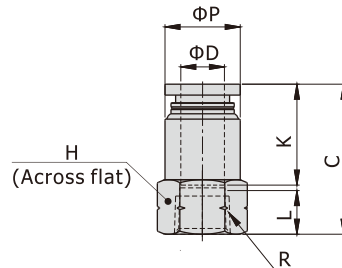
#### NPL Series



[Unit: inch]

Model\Item	ΦD	R	ΦP	L	K	EA	EB	H
NPL1/8-U10	1/8	#10-32UNF	0.30	0.14	0.47	0.57	0.57	9/32
NPL5/32-U10	5/32	#10-32UNF	0.33	0.14	0.49	0.57	0.57	9/32
NPL5/32-1/8		NPT1/8	0.33	0.30	0.49	0.59	0.63	7/16
NPL1/4-U10	1/4	#10-32UNF	0.49	0.14	0.67	0.79	0.67	5/16
NPL1/4-1/8		NPT1/8	0.49	0.30	0.67	0.79	0.81	7/16
NPL1/4-1/4		NPT1/4	0.49	0.39	0.67	0.79	0.94	9/16
NPL1/4-3/8		NPT3/8	0.49	0.43	0.67	0.79	1.11	11/16
NPL5/16-1/8	5/16	NPT1/8	0.59	0.30	0.73	0.91	1.02	1/2
NPL5/16-1/4		NPT1/4	0.59	0.39	0.73	0.91	0.98	9/16
NPL5/16-3/8	3/8	NPT3/8	0.59	0.43	0.73	0.91	1.04	11/16
NPL3/8-1/8		NPT1/8	0.71	0.30	0.83	1.00	1.12	5/8
NPL3/8-1/4		NPT1/4	0.71	0.39	0.83	1.00	1.20	5/8
NPL3/8-3/8		NPT3/8	0.71	0.43	0.83	1.00	1.10	11/16
NPL3/8-1/2	1/2	NPT1/2	0.71	0.55	0.83	1.00	1.28	7/8
NPL1/2-1/4		NPT1/4	0.83	0.39	0.91	1.16	1.28	11/16
NPL1/2-3/8		NPT3/8	0.83	0.43	0.91	1.16	1.30	11/16
NPL1/2-1/2		NPT1/2	0.83	0.55	0.91	1.16	1.34	7/8

#### NPCF Series



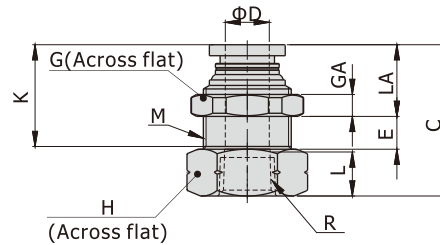
[Unit: inch]

Model\Item	ΦD	R	ΦP	L	C	K	H
NPCF5/32-U10	5/32	#10-32UNF	0.35	0.20	0.77	0.49	3/8
NPCF5/32-1/8		NPT1/8	0.37	0.31	0.85	0.49	9/16
NPCF1/4-U10	1/4	#10-32UNF	0.47	0.20	0.85	0.65	182
NPCF1/4-1/8		NPT1/8	0.49	0.31	1.00	0.65	9/16
NPCF1/4-1/4		NPT1/4	0.49	0.43	1.12	0.65	11/16
NPCF1/4-3/8		NPT3/8	0.51	0.47	1.16	0.65	7/8
NPCF5/16-1/8	5/16	NPT1/8	0.55	0.31	1.08	0.73	9/16
NPCF5/16-1/4		NPT1/4	0.57	0.43	1.20	0.73	11/16
NPCF5/16-3/8	3/8	NPT3/8	0.57	0.47	1.24	0.73	7/8
NPCF3/8-1/8		NPT1/8	0.67	0.31	1.14	0.83	11/16
NPCF3/8-1/4		NPT1/4	0.67	0.43	1.30	0.83	11/16
NPCF3/8-3/8		NPT3/8	0.71	0.47	1.34	0.83	7/8
NPCF3/8-1/2	1/2	NPT1/2	0.71	0.53	1.40	0.83	1
NPCF1/2-1/4		NPT1/4	0.83	0.43	1.32	0.91	7/8
NPCF1/2-3/8		NPT3/8	0.83	0.47	1.40	0.91	7/8
NPCF1/2-1/2		NPT1/2	0.83	0.53	1.46	0.91	7/8

# Accessories—One-Touch Fittings

## One-touch fittings—threaded type

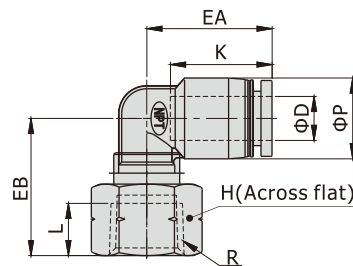
### NPMF Series



[Unit: inch]

Model\Item	ΦD	R	M	L	C	K	LA	E	GA	G	H
NPMF5/32-1/8	5/32	NPT1/8	1/2-20 UNF	0.31	0.96	0.53	0.45	0.16	0.22	9/16	9/16
NPMF1/4-1/8	1/4	NPT1/8	9/16-18 UNF	0.31	1.00	0.65	0.49	0.20	0.22	11/16	11/16
NPMF1/4-1/4		NPT1/4	9/16-18 UNF	0.43	1.20	0.65	0.49	0.20	0.22	11/16	11/16
NPMF1/4-3/8		NPT3/8	9/16-18 UNF	0.47	1.24	0.65	0.49	0.20	0.22	11/16	7/8
NPMF5/16-1/8	5/16	NPT1/8	5/8-18 UNF	0.31	1.08	0.73	0.53	0.22	0.22	3/4	3/4
NPMF5/16-1/4		NPT1/4	5/8-18 UNF	0.43	1.26	0.73	0.53	0.22	0.22	3/4	3/4
NPMF5/16-3/8		NPT3/8	5/8-18 UNF	0.47	1.30	0.73	0.53	0.22	0.22	3/4	7/8
NPMF3/8-1/8	3/8	NPT1/8	7/8-14 UNF	0.31	1.18	0.83	0.57	0.30	0.28	1	1
NPMF3/8-1/4		NPT1/4	7/8-14 UNF	0.43	1.38	0.83	0.57	0.30	0.28	1	1
NPMF3/8-3/8		NPT3/8	7/8-14 UNF	0.47	1.42	0.83	0.57	0.30	0.28	1	1
NPMF3/8-1/2		NPT1/2	7/8-14 UNF	0.53	1.48	0.83	0.57	0.30	0.28	1	1
NPMF1/2-1/4	1/2	NPT1/4	7/8-14 UNF	0.43	1.36	0.91	0.61	0.31	0.28	1	1
NPMF1/2-3/8		NPT3/8	7/8-14 UNF	0.47	1.48	0.91	0.61	0.31	0.28	1	1
NPMF1/2-1/2		NPT1/2	7/8-14 UNF	0.53	1.54	0.91	0.61	0.31	0.28	1	1

### NPLF Series



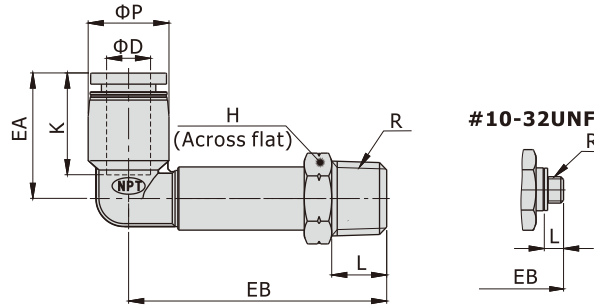
[Unit: inch]

Model\Item	ΦD	R	ΦP	L	K	EA	EB	H
NPLF5/32-U10	5/32	#10-32UNF	0.33	0.20	0.49	0.59	0.63	3/8
NPLF5/32-1/8		NPT1/8	0.33	0.31	0.49	0.59	0.77	9/16
NPLF1/4-U10	1/4	#10-32UNF	0.49	0.20	0.67	0.79	0.73	3/8
NPLF1/4-1/8		NPT1/8	0.49	0.31	0.67	0.79	0.94	9/16
NPLF1/4-1/4		NPT1/4	0.49	0.43	0.67	0.79	1.06	11/16
NPLF1/4-3/8		NPT3/8	0.49	0.47	0.67	0.79	1.10	7/8
NPLF5/16-1/8	5/16	NPT1/8	0.59	0.31	0.73	0.91	1.00	9/16
NPLF5/16-1/4		NPT1/4	0.59	0.43	0.73	0.91	1.12	11/16
NPLF5/16-3/8		NPT3/8	0.59	0.47	0.73	0.91	1.16	7/8
NPLF3/8-1/8	3/8	NPT1/8	0.71	0.31	0.83	1.00	1.08	11/16
NPLF3/8-1/4		NPT1/4	0.71	0.43	0.83	1.00	1.18	11/16
NPLF3/8-3/8		NPT3/8	0.71	0.47	0.83	1.00	1.22	7/8
NPLF3/8-1/2		NPT1/2	0.71	0.53	0.83	1.00	1.28	1
NPLF1/2-1/4	1/2	NPT1/4	0.83	0.43	0.91	1.16	1.26	11/16
NPLF1/2-3/8		NPT3/8	0.83	0.47	0.91	1.16	1.30	7/8
NPLF1/2-1/2		NPT1/2	0.83	0.53	0.91	1.16	1.34	1

# Accessories—One-Touch Fittings

## One-touch fittings—threaded type

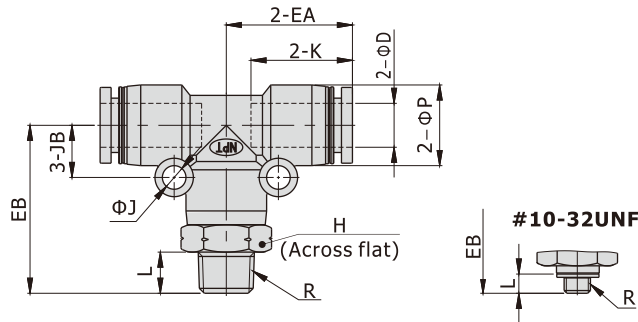
### NPLL Series



[Unit: inch]

Model\Item	ΦD	R	ΦP	L	K	EA	EB	H
NPLL5/32-U10	5/32	#10-32UNF	0.33	0.14	0.49	0.59	0.98	9/32
NPLL5/32-1/8		NPT1/8	0.33	0.30	0.49	0.59	1.12	7/16
NPLL1/4-U10	1/4	#10-32UNF	0.49	0.14	0.67	0.79	1.36	5/16
NPLL1/4-1/8		NPT1/8	0.49	0.30	0.67	0.79	1.48	7/16
NPLL1/4-1/4		NPT1/4	0.49	0.39	0.67	0.79	1.59	9/16
NPLL1/4-3/8		NPT3/8	0.49	0.43	0.67	0.79	1.69	11/16
NPLL5/16-1/8	5/16	NPT1/8	0.59	0.30	0.73	0.91	1.71	1/2
NPLL5/16-1/4		NPT1/4	0.59	0.39	0.73	0.91	1.79	9/16
NPLL5/16-3/8		NPT3/8	0.59	0.43	0.73	0.91	1.89	11/16
NPLL3/8-1/8	3/8	NPT1/8	0.71	0.30	0.83	1.00	1.99	5/8
NPLL3/8-1/4		NPT1/4	0.71	0.39	0.83	1.00	2.11	5/8
NPLL3/8-3/8		NPT3/8	0.71	0.43	0.83	1.00	2.15	11/16
NPLL3/8-1/2		NPT1/2	0.71	0.55	0.83	1.00	2.32	7/8
NPLL1/2-1/4	1/2	NPT1/4	0.83	0.39	0.91	1.16	2.19	11/16
NPLL1/2-3/8		NPT3/8	0.83	0.43	0.91	1.16	2.36	11/16
NPLL1/2-1/2		NPT1/2	0.83	0.55	0.91	1.16	2.48	7/8

### NPEB Series



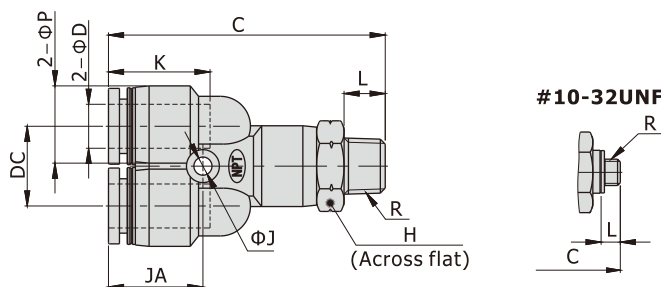
[Unit: inch]

Model\Item	ΦD	R	ΦP	L	K	EA	EB	ΦJ	JB	H
NPEB5/32-U10	5/32	#10-32UNF	0.35	0.14	0.53	0.63	0.83	0.13	0.26	3/8
NPEB5/32-1/8		NPT1/8	0.35	0.30	0.53	0.63	0.98	0.13	0.26	7/16
NPEB1/4-U10	1/4	#10-32UNF	0.49	0.14	0.65	0.79	0.93	0.13	0.31	1/2
NPEB1/4-1/8		NPT1/8	0.49	0.30	0.65	0.79	1.08	0.13	0.31	1/2
NPEB1/4-1/4		NPT1/4	0.49	0.39	0.65	0.79	1.20	0.13	0.31	9/16
NPEB1/4-3/8		NPT3/8	0.49	0.43	0.65	0.79	1.26	0.13	0.31	11/16
NPEB5/16-1/8	5/16	NPT1/8	0.59	0.30	0.73	0.91	1.20	0.17	0.37	9/16
NPEB5/16-1/4		NPT1/4	0.59	0.39	0.73	0.91	1.30	0.17	0.37	9/16
NPEB5/16-3/8		NPT3/8	0.59	0.43	0.73	0.91	1.36	0.17	0.37	11/16
NPEB3/8-1/8	3/8	NPT1/8	0.71	0.30	0.83	1.04	1.34	0.17	0.43	11/16
NPEB3/8-1/4		NPT1/4	0.71	0.39	0.83	1.04	1.44	0.17	0.43	11/16
NPEB3/8-3/8		NPT3/8	0.71	0.43	0.83	1.04	1.48	0.17	0.43	11/16
NPEB3/8-1/2		NPT1/2	0.71	0.55	0.83	1.04	1.63	0.17	0.43	7/8
NPEB1/2-1/4	1/2	NPT1/4	0.83	0.39	0.91	1.18	1.61	0.17	0.51	7/8
NPEB1/2-3/8		NPT3/8	0.83	0.43	0.91	1.18	1.65	0.17	0.51	7/8
NPEB1/2-1/2		NPT1/2	0.83	0.55	0.91	1.18	1.77	0.17	0.51	7/8

# Accessories—One-Touch Fittings

## One-touch fittings—threaded type

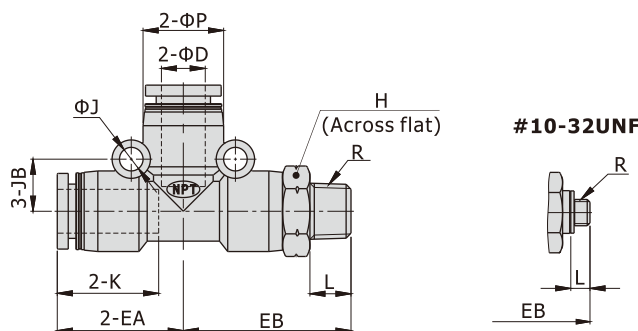
### NPYB Series



[Unit: inch]

Model\Item	ΦD	R	ΦP	L	C	K	ΦJ	JA	DC	H
NPYB5/32-U10	5/32	#10-32UNF	0.35	0.14	1.36	0.53	0.13	0.47	0.39	3/8
NPYB5/32-1/8		NPT1/8	0.35	0.30	1.52	0.53	0.13	0.47	0.39	7/16
NPYB1/4-U10	1/4	#10-32UNF	0.49	0.14	1.59	0.65	0.13	0.61	0.47	1/2
NPYB1/4-1/8		NPT1/8	0.49	0.30	1.75	0.65	0.13	0.61	0.47	1/2
NPYB1/4-1/4		NPT1/4	0.49	0.39	47.5	0.65	0.13	0.61	0.47	9/16
NPYB1/4-3/8		NPT3/8	0.49	0.43	1.93	0.65	0.13	0.61	0.47	11/16
NPYB5/16-1/8	5/16	NPT1/8	0.59	0.30	1.97	0.73	0.13	0.67	0.57	9/16
NPYB5/16-1/4		NPT1/4	0.59	0.39	2.07	0.73	0.13	0.67	0.57	9/16
NPYB5/16-3/8	3/8	NPT3/8	0.59	0.43	2.13	0.73	0.13	0.67	0.57	11/16
NPYB3/8-1/8		NPT1/8	0.71	0.30	2.22	0.83	0.17	0.77	0.71	11/16
NPYB3/8-1/4		NPT1/4	0.71	0.39	2.32	0.83	0.17	0.77	0.71	11/16
NPYB3/8-3/8		NPT3/8	0.71	0.43	2.36	0.83	0.17	0.77	0.71	11/16
NPYB3/8-1/2	1/2	NPT1/2	0.71	0.55	2.52	0.83	0.17	0.77	0.71	7/8
NPYB1/2-1/4		NPT1/4	0.83	0.39	2.60	0.91	0.17	0.83	0.81	7/8
NPYB1/2-3/8		NPT3/8	0.83	0.43	2.64	0.91	0.17	0.83	0.81	7/8
NPYB1/2-1/2		NPT1/2	0.83	0.55	2.76	0.91	0.17	0.83	0.81	7/8

### NPED Series



[Unit: inch]

Model\Item	ΦD	R	ΦP	L	K	EA	EB	ΦJ	JB	H
NPED5/32-U10	5/32	#10-32UNF	0.35	0.14	0.53	0.63	0.83	0.13	0.26	3/8
NPED5/32-1/8		NPT1/8	0.35	0.30	0.53	0.63	0.93	0.13	0.26	7/16
NPED1/4-U10	1/4	#10-32UNF	0.49	0.14	0.65	0.79	0.93	0.13	0.31	1/2
NPED1/4-1/8		NPT1/8	0.49	0.30	0.65	0.79	1.08	0.13	0.31	1/2
NPED1/4-1/4		NPT1/4	0.49	0.39	0.65	0.79	1.20	0.13	0.31	9/16
NPED1/4-3/8		NPT3/8	0.49	0.43	0.65	0.79	1.26	0.13	0.31	11/16
NPED5/16-1/8	5/16	NPT1/8	0.59	0.30	0.73	0.91	1.20	0.17	0.37	9/16
NPED5/16-1/4		NPT1/4	0.59	0.39	0.73	0.91	1.30	0.17	0.37	9/16
NPED5/16-3/8	3/8	NPT3/8	0.59	0.43	0.73	0.91	1.36	0.17	0.37	11/16
NPED3/8-1/8		NPT1/8	0.71	0.30	0.83	1.04	1.34	0.17	0.43	11/16
NPED3/8-1/4		NPT1/4	0.71	0.39	0.83	1.04	1.44	0.17	0.43	11/16
NPED3/8-3/8		NPT3/8	0.71	0.43	0.83	1.04	1.48	0.17	0.43	11/16
NPED3/8-1/2	1/2	NPT1/2	0.71	0.55	0.83	1.04	1.63	0.17	0.43	7/8
NPED1/2-1/4		NPT1/4	0.83	0.39	0.91	1.18	1.61	0.17	0.51	7/8
NPED1/2-3/8		NPT3/8	0.83	0.43	0.91	1.18	1.65	0.17	0.51	7/8
NPED1/2-1/2		NPT1/2	0.83	0.55	0.91	1.18	1.77	0.17	0.51	7/8