

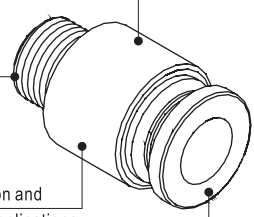
# Accessories—One-Touch Fittings

## PC, POC series



### Product feature

- The compact appearance space saving.
- The threaded portion is covered with sealant and the M5 thread is attached with a sealing gasket to prevent air leakage over the connection thread portion.
- The nickel plated body is anti-corrosion and anti-pollution, which allows broader applications.
- Grey and black are optional for the release button.



### Ordering code

**PC 6 01**

**Model**

- PC: Male connector
- POC: Male connector

**Thread type**

- Blank: PT

**Standard color**

Standard color	Specification
Blank: Gray	Release button: Gray
D: Black	Release button: Black

**Thread connection**

Thread connection	Adaptable port size
M5: M5 × 0.8	Φ4\Φ6
01: 1/8"	Φ4\Φ6 Φ8\Φ10\Φ12
02: 1/4"	
03: 3/8"	
04: 1/2"	

**Port size**

4: Φ4mm
6: Φ6mm
8: Φ8mm
10: Φ10mm
12: Φ12mm

### Table for interface port and tube O.D.

Product series	Thread type	Port size				
		Φ4	Φ6	Φ8	Φ10	Φ12
PC	M5	●	●			
	1/8"	●	●	●	●	●
	1/4"	●	●	●	●	●
	3/8"		●	●	●	●
	1/2"		●	●	●	●
POC	M5	●	●			
	1/8"	●	●	●	●	
	1/4"	●	●	●	●	●
	3/8"		●	●	●	●
	1/2"			●	●	●

### Inner structure

**Model: PC**

No.	Item	Material
1	Release button	POM
2	Guide	Aluminum alloy
3	Spring gasket	Stainless steel
4	Chuck	POM
5	O-ring	NBR
6	Body	Brass

### Specification

Operating pressure range	0~9kgf/cm <sup>2</sup> (0~0.9MPa)
Negative pressure	-750mmHg(10Torr)
Proof pressure	1.5MPa
Ambient and fluid temperature (°C)	0~60
Applicable tubing	Soft nylon or polyurethane
Color	Grey/black

### Dimensions

**PC series**

**M5 thread type**

Model\Item	ΦD	R	L	C	K	H(Across flat)	Weight(g)
PC4M5		M5×0.8	3.5	19.5	14	9	6.5
PC401	4	1/8"	7.5	19.5	14	10	7
PC402		1/4"	10	19.5	14	14	13.5
PC6M5	6	M5×0.8	3.5	22.5	16.5	12	8.5
PC601		1/8"	7.5	22.0	18.5	12	7.5
PC602		1/4"	10	24.5	18.5	14	15.5
PC603		3/8"	11	22.5	18.5	17	24
PC604	1/2"	14	26.0	18.5	21	46	
PC801	8	1/8"	7.5	28	18.5	14	13.5
PC802		1/4"	10	27	18.5	14	13
PC803		3/8"	11	23.5	18.5	17	21
PC804	1/2"	14	27	18.5	21	43.5	
PC1001	10	1/8"	7.5	30	21	17	20.5
PC1002		1/4"	10	32.5	21	17	24
PC1003		3/8"	11	28	21	17	20.5
PC1004	1/2"	14	26.5	21	21	36	
PC1201	12	1/8"	7.5	32.5	23	21	38.5
PC1202		1/4"	10	35	23	21	40.5
PC1203		3/8"	11	30.5	23	21	28.5
PC1204		1/2"	14	32.5	23	21	41.5

**POC series**

**M5 thread type**

Model\Item	ΦD	R	ΦP	L	C	K	H(Across flat)
POC4M5		M5×0.8	9	3.5	18.5	14	2
POC401	4	1/8"	10	7.5	18	14	2.5
POC402		1/4"	14	10	19.5	14	3
POC6M5	6	M5×0.8	12	3.5	21.5	16.5	2
POC601		1/8"	12	7.5	22.0	18.5	4
POC602		1/4"	14	10	22.0	18.5	4
POC801		1/8"	14	7.5	26.5	18	5
POC802	8	1/4"	14	10	25	18	6
POC803		3/8"	17	11	23.5	18	6
POC1001		1/8"	17	7.5	30	21	5
POC1002	10	1/4"	17	10	29	21	6
POC1003		3/8"	17	11	28	21	8
POC1004	1/2"	21	14	26.5	21	8	
POC1202	12	1/4"	21	10	34.5	23	6
POC1203		3/8"	21	11	30	23	8
POC1204		1/2"	21	14	32	23	8



Back Tube fittings



## One-touch fittings---threaded type



### ■ Specification

Operating pressure range	0-9kgf/cm <sup>2</sup> (0-0.9MPa)
Negative pressure	-750mmHg(10Torr)
Proof pressure	1.5MPa
Ambient and fluid temperature (°C)	0-60
Applicable tubing	Soft nylon or polyurethane
Color	Grey/black

### ■ Product feature

1. Variable models can be widely used in every kind of pneumatic systems.
2. High circulation performance: bear the same flow with the volume of the tubing inside diameter.
3. Connect tubing easily and conveniently. The tubing connection portion is safe and durable.
4. The threaded portion is covered with sealant and the M5 thread is attached with a sealing gasket to prevent air leakage over the connection thread portion.
5. The nickel plated body is anti-corrosion and anti-pollution, which allows a broader application.

### ■ Table for interface port and tube O.D.

Product series	Thread type	Port size				
		φ4	φ6	φ8	φ10	φ12
PL	M5	●	●			
	1/8"	●	●	●	●	●
	1/4"	●	●	●	●	●
	3/8"		●	●	●	●
PLL	M5	●	●			
	1/8"	●	●	●	●	
	1/4"	●	●	●	●	●
	3/8"		●	●	●	●
PLF	M5	●	●			
	1/8"	●	●	●	●	
	1/4"	●	●	●	●	●
	3/8"		●	●	●	●
PCF	M5	●	●			
	1/8"	●	●	●	●	
	1/4"	●	●	●	●	●
	3/8"		●	●	●	●
PMF	M5	●	●			
	1/8"	●	●	●	●	
	1/4"	●	●	●	●	●
	3/8"		●	●	●	●
PH	M5	●	●			
	1/8"	●	●	●	●	
	1/4"		●	●	●	
	3/8"		●	●	●	●
PHW	M5	●	●			
	1/8"	●	●	●	●	
	1/4"		●	●	●	
	3/8"		●	●	●	●
PHF	M5	●	●			
	1/8"	●	●	●	●	
	1/4"		●	●	●	
	3/8"		●	●	●	●
PEB	M5	●	●			
	1/8"	●	●	●	●	
	1/4"	●	●	●	●	●
	3/8"		●	●	●	●
PED	M5	●	●			
	1/8"	●	●	●	●	
	1/4"	●	●	●	●	●
	3/8"		●	●	●	●
PYB	M5	●	●			
	1/8"	●	●	●	●	
	1/4"	●	●	●	●	●
	3/8"		●	●	●	●
PZB	M5	●	●			
	1/8"		●	●	●	
	1/4"		●	●	●	
	3/8"		●	●	●	●

### ■ Ordering code

#### Same diameter type fittings **PL 6 01** □ □

Model		Thread type
PHW: Double universal male elbow	PL: Male elbow	Blank: PT
PHF: Universal female elbow	PLL: Extended male elbow	Standard color Blank: Gray D: Black
PEB: Male branch tee	PLF: Female elbow	
PED: Male run tee	PCF: Female connector	Thread connection Thread connection Adaptable port size M5: M5 × 0.8 φ4\φ6 01: 1/8" φ4\φ6 02: 1/4" φ8\φ10 03: 3/8" φ12 04: 1/2"
PYB: Branch "Y"	PMF: Bulkhead connector	
PZB: Threaded cross	PH: Universal male elbow	Port size 4: φ4mm 6: φ6mm 8: φ8mm 10: φ10mm 12: φ12mm

#### Different diameter type fittings **PKD 6 - 4 01** □ □

Model		Thread type
PKD: Male reducer triple branch	Blank: PT	Standard color Blank: Gray D: Black
	Port size 6: φ6mm 8: φ8mm 10: φ10mm	Thread connection 01: 1/8" 02: 1/4" 03: 3/8"
	Port size 4: φ4mm 6: φ6mm 8: φ8mm	

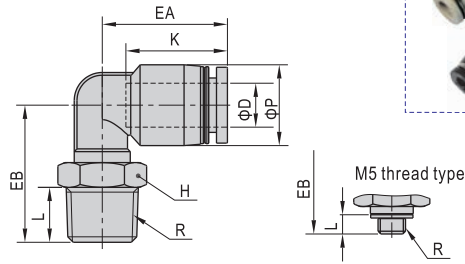
Product series	Thread type	Port size		
		φ6-φ4	φ8-φ6	φ10-φ8
PKD	1/8"	●		
	1/4"		●	
	3/8"			●



## One-touch fittings---threaded type

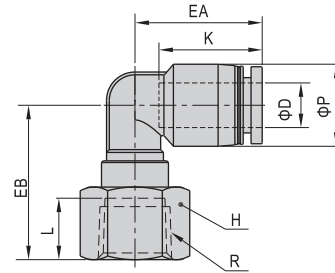
### ■ Dimensions

#### PL series



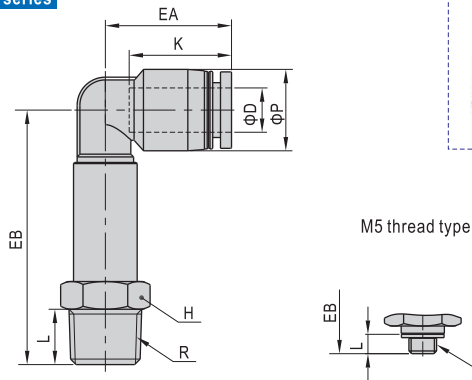
Model\Item	ΦD	R	ΦP	L	K	EA	EB	H(Across flat)	Weight(g)
PL4M5	4	M5×0.8	9	3.5	14	17	15	8	3
PL401	4	1/8"	9	7.5	14	17	18.5	10	4.5
PL402		1/4"	9	10	14	17	22	14	12
PL6M5	6	M5×0.8	12.5	3.5	17	20	17	8	4.5
PL601	6	1/8"	12.5	7.5	17	20	20.5	10	6
PL602		1/4"	12.5	10	17	20	24	14	13.5
PL603		3/8"	12.5	11	17	20	25.5	17	20.5
PL604		1/2"	12.5	14	17	20	30.0	21	36
PL801	8	1/8"	15	7.5	18.5	23	20.5	10	7.5
PL802		1/4"	15	10	18.5	23	25	14	13
PL803		3/8"	15	11	18.5	23	26.5	17	21
PL804		1/2"	15	14	18.5	23	31	21	36
PL1001	10	1/8"	18	7.5	21	25.5	25	17	16.5
PL1002		1/4"	18	10	21	25.5	27	17	19
PL1003		3/8"	18	11	21	25.5	28	17	21
PL1004		1/2"	18	14	21	25.5	32.5	21	37
PL1201	12	1/8"	21	7.5	23	28.5	26.5	17	19
PL1202		1/4"	21	10	23	28.5	28.5	17	21.5
PL1203		3/8"	21	11	23	29.5	33	17	25.5
PL1204		1/2"	21	14	23	29.5	34	21	37

#### PLF series



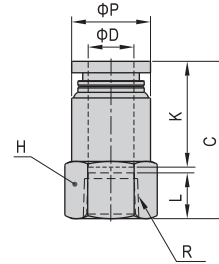
Model\Item	ΦD	R	ΦP	L	K	EA	EB	H(Across flat)
PLF4M5	4	M5×0.8	9	6	14	17	16	10
PLF401		1/8"	9	8	14	17	21	14
PLF402		1/4"	9	11	14	17	24	17
PLF6M5	6	M5×0.8	12.5	6	17	20	18.5	10
PLF601		1/8"	12.5	8	17	20	23	14
PLF602		1/4"	12.5	11	17	20	26	17
PLF603		3/8"	12.5	12	17	20	27	21
PLF801	8	1/8"	15	8	18.5	23	20	14
PLF802		1/4"	15	11	18.5	23	27.5	17
PLF803		3/8"	15	12	18.5	23	28.5	21
PLF804		1/2"	15	13.5	18.5	23	30	25
PLF1001	10	1/8"	18	8	21	25.5	24	17
PLF1002		1/4"	18	11	21	25.5	26.5	17
PLF1003		3/8"	18	12	21	25.5	30	21
PLF1004		1/2"	18	13.5	21	25.5	31.5	25
PLF1202	12	1/4"	21	11	23	28.5	28.5	17
PLF1203		3/8"	21	12	23	29.5	32	21
PLF1204		1/2"	21	13.5	23	29.5	33	25

#### PLL series



Model\Item	ΦD	R	ΦP	L	K	EA	EB	H(Across flat)
PLL4M5	4	M5×0.8	9	3.5	14	17	32.5	8
PLL401		1/8"	9	7.5	14	17	36	10
PLL402		1/4"	9	10	14	17	39	14
PLL6M5	6	M5×0.8	12.5	3.5	17	20	35	8
PLL601		1/8"	12.5	7.5	17	20	38	10
PLL602		1/4"	12.5	10	17	20	41	14
PLL603		3/8"	12.5	11	17	20	43.5	17
PLL801	8	1/8"	15	7.5	18.5	23	43.5	10
PLL802		1/4"	15	10	18.5	23	46	14
PLL803		3/8"	15	11	18.5	23	48.5	17
PLL1001		10	1/8"	18	7.5	21	25.5	51.5
PLL1002	1/4"		18	10	21	25.5	54.5	15
PLL1003	3/8"		18	11	21	25.5	55.5	17
PLL1004	1/2"		18	14	21	25.5	60	21
PLL1202	12	1/4"	21	10	23	28.5	56.5	15
PLL1203		3/8"	21	11	23	29.5	61	17
PLL1204		1/2"	21	14	23	29.5	64	21

#### PCF series

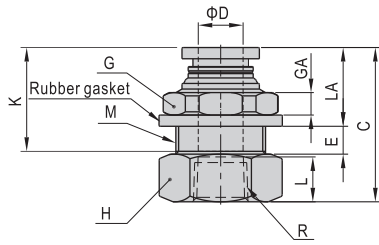


Model\Item	ΦD	R	ΦP	L	C	K	H(Across flat)
PCF4M5	4	M5×0.8	9	6	21	14	10
PCF401		1/8"	9.5	8	23	14	14
PCF402		1/4"	9.5	11	26	14	17
PCF6M5	6	M5×0.8	12	6	21.5	16.5	12
PCF601		1/8"	12.5	8	25.5	16.5	14
PCF602		1/4"	12.5	11	28.5	16.5	17
PCF603		3/8"	13	12	29.5	16.5	21
PCF604	1/2"	13	13.5	31.0	16.5	25	
PCF801	8	1/8"	14	8	27.5	18.5	14
PCF802		1/4"	14.5	11	30.5	18.5	17
PCF803		3/8"	14.5	12	31.5	18.5	21
PCF804		1/2"	14.5	13.5	33	18.5	25
PCF1001	10	1/8"	17	8	29	21	17
PCF1002		1/4"	17	11	33	21	17
PCF1003		3/8"	18	12	34	21	21
PCF1004		1/2"	18	13.5	35.5	21	25
PCF1202	12	1/4"	21	11	33.5	23	21
PCF1203		3/8"	21	12	35.5	23	21
PCF1204		1/2"	21	13.5	37	23	25

# Accessories—One-Touch Fittings

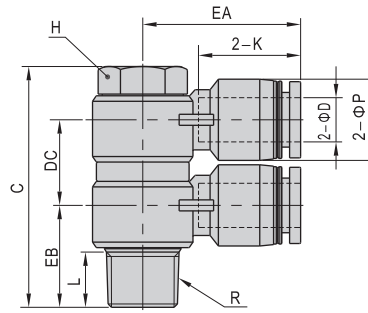
## One-touch fittings---threaded type

### PMF series



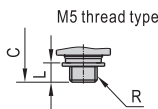
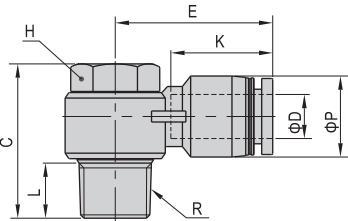
Model\Item	ΦD	R	M	L	C	K	LA	E	G(Across flat)	GA	H(Across flat)
PMF401	4	1/8"	M12X1	8	25	14	12	4	14	4	14
PMF402	4	1/4"	M12X1	11	29	14	12	4	14	4	17
PMF601	6	1/8"	M14X1	8	25.5	16.5	12.5	5	17	4	17
PMF602	6	1/4"	M14X1	11	30.5	16.5	12.5	5	17	4	17
PMF603	6	3/8"	M14X1	12	31.5	16.5	12.5	5	17	4	21
PMF801	8	1/8"	M16X1	8	27.5	18.5	13.5	5.5	19	4	19
PMF802	8	1/4"	M16X1	11	32	18.5	13.5	5.5	19	4	19
PMF803	8	3/8"	M16X1	12	33	18.5	13.5	5.5	19	4	21
PMF804	8	1/2"	M16X1	13.5	34.5	18.5	13.5	5.5	19	4	25
PMF1001	10	1/8"	M20X1	8	30	21	14.5	7.5	24	5	22
PMF1002	10	1/4"	M20X1	11	35	21	14.5	7.5	24	5	22
PMF1003	10	3/8"	M20X1	12	36	21	14.5	7.5	24	5	22
PMF1004	10	1/2"	M20X1	13.5	37.5	21	14.5	7.5	24	5	25
PMF1202	12	1/4"	M22X1	11	34.5	23	15.5	8	27	6	24
PMF1203	12	3/8"	M22X1	12	37.5	23	15.5	8	27	6	24
PMF1204	12	1/2"	M22X1	13.5	39	23	15.5	8	27	6	25

### PHW series



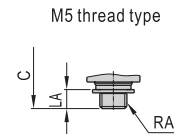
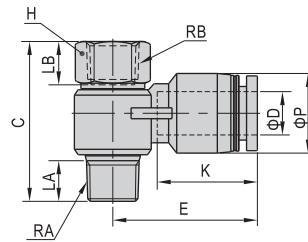
Model\Item	ΦD	R	ΦP	L	C	K	EA	EB	DC	H(Across flat)
PHW401	4	1/8"	9	7.5	38	14	20.5	14.5	13	11
PHW601	6	1/8"	12.5	7.5	38	16.5	23.0	15	13	11
PHW602	6	1/4"	12.5	10	43.5	16.5	25.0	17.5	15.5	14
PHW603	6	3/8"	12.5	11	50	16.5	27.0	20	16.5	19
PHW801	8	1/8"	15	7.5	40.5	18.5	26.5	16.5	15.5	11
PHW802	8	1/4"	15	10	43.5	18.5	28.5	18.5	15.5	14
PHW803	8	3/8"	15	11	50	18.5	29.5	20	16.5	19
PHW804	8	1/2"	15	14	61	18.5	32	24.5	22	24
PHW1002	10	1/4"	18	10	46.5	21	31	20	18.5	14
PHW1003	10	3/8"	18	11	55	21	33	21	22	19
PHW1004	10	1/2"	18	14	61	21	35.5	25	22	24
PHW1203	12	3/8"	21	11	55	23	36	23	22	19
PHW1204	12	1/2"	21	14	61	23	38	26.5	22	24

### PH series



Model\Item	ΦD	R	ΦP	L	C	K	E	H(Across flat)
PH4M5	4	M5×0.8	9	3.5	17	14	19	8
PH401	4	1/8"	9	7.5	25	14	20.5	11
PH6M5	6	M5×0.8	12.5	3.5	17	16.5	23.5	8
PH601	6	1/8"	12.5	7.5	25	16.5	23	11
PH602	6	1/4"	12.5	10	28	16.5	25	14
PH603	6	3/8"	12.5	11	33	16.5	27	19
PH801	8	1/8"	15	7.5	25	18.5	26.5	11
PH802	8	1/4"	15	10	28	18.5	28.5	14
PH803	8	3/8"	15	11	33	18.5	29.5	19
PH804	8	1/2"	15	14	39	18.5	32	24
PH1002	10	1/4"	18	10	28	21	31	14
PH1003	10	3/8"	18	11	33	21	33	19
PH1004	10	1/2"	18	14	39	21	35.5	24
PH1203	12	3/8"	21	11	33	23	36	19
PH1204	12	1/2"	21	14	39	23	38	24

### PHF series



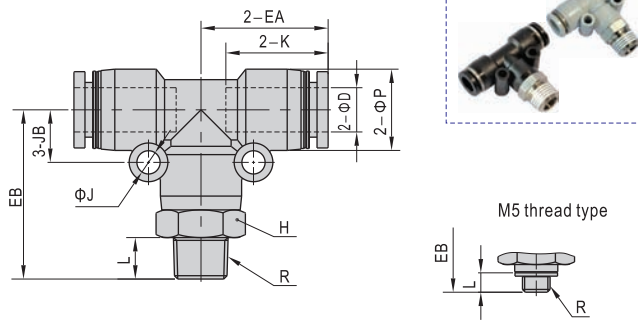
Model\Item	ΦD	RA	RB	ΦP	LA	LB	C	K	E	H(Across flat)
PHF4M5	4	M5×0.8	M5×0.8	9	3.5	6	20	14	19	8
PHF401	4	1/8"	1/8"	9	7.5	8	29.5	14	20.5	12
PHF6M5	6	M5×0.8	M5×0.8	12.5	3.5	6	20	16.5	23.5	8
PHF601	6	1/8"	1/8"	12.5	7.5	8	29.5	16.5	23	12
PHF602	6	1/4"	1/4"	12.5	10	11	35	16.5	25	17
PHF603	6	3/8"	3/8"	12.5	11	12	40	16.5	27	19
PHF801	8	1/8"	1/8"	15	7.5	8	29.5	18.5	26.5	12
PHF802	8	1/4"	1/4"	15	10	11	35	18.5	28.5	17
PHF803	8	3/8"	3/8"	15	11	12	40	18.5	29.5	19
PHF804	8	1/2"	1/2"	15	14	13.5	47.5	18.5	32	24
PHF1002	10	1/4"	1/4"	18	10	11	35	21	31	17
PHF1003	10	3/8"	3/8"	18	11	12	40	21	33	19
PHF1004	10	1/2"	1/2"	18	14	13.5	47.5	21	35.5	24
PHF1203	12	3/8"	3/8"	21	11	12	40	23	36	19
PHF1204	12	1/2"	1/2"	21	14	13.5	47.5	23	38	24



# Accessories—One-Touch Fittings

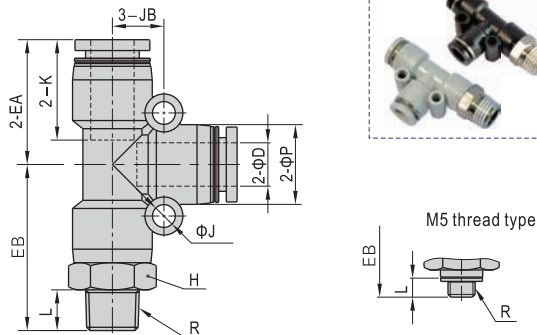
## One-touch fittings---threaded type

### PEB series



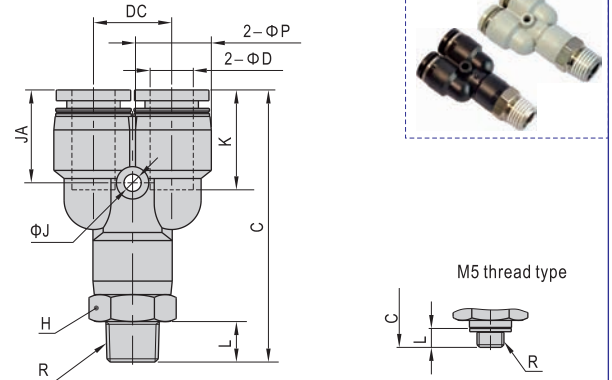
Model\Item	ΦD	R	ΦP	L	K	EA	EB	ΦJ	JB	H(Across flat)
PEB4M5		M5×0.8	9	3.5	14	17	21	3.2	6.5	9
PEB401	4	1/8"	9	7.5	14	17	25	3.2	6.5	10
PEB402	4	1/4"	9	10	14	17	28	3.2	6.5	14
PEB6M5		M5×0.8	12.5	3.5	16.5	20	23.5	3.2	8	12
PEB601	6	1/8"	12.5	7.5	16.5	20	27.5	3.2	8	12
PEB602	6	1/4"	12.5	10	16.5	20	30.5	3.2	8	14
PEB603	6	3/8"	12.5	11	16.5	20	32	3.2	8	17
PEB801	8	1/8"	15	7.5	18.5	23	30.5	4.3	9.5	14
PEB802	8	1/4"	15	10	18.5	23	33	4.3	9.5	14
PEB803	8	3/8"	15	11	18.5	23	34.5	4.3	9.5	17
PEB804	8	1/2"	15	14	18.5	23	38.5	4.3	9.5	21
PEB1001	10	1/8"	18	7.5	21	26.5	34	4.3	11	17
PEB1002	10	1/4"	18	10	21	26.5	36.5	4.3	11	17
PEB1003	10	3/8"	18	11	21	26.5	37.5	4.3	11	17
PEB1004	10	1/2"	18	14	21	26.5	41.5	4.3	11	21
PEB1202	12	1/4"	21	10	23	30	41	4.3	13	21
PEB1203	12	3/8"	21	11	23	30	42	4.3	13	21
PEB1204	12	1/2"	21	14	23	30	45	4.3	13	21

### PED series



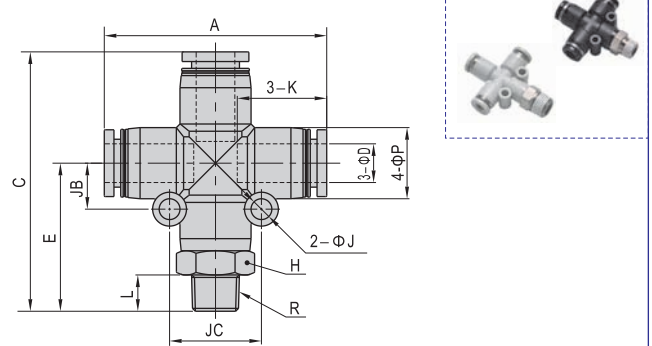
Model\Item	ΦD	R	ΦP	L	K	EA	EB	ΦJ	JB	H(Across flat)
PED4M5		M5×0.8	9	3.5	14	17	21	3.2	6.5	9
PED401	4	1/8"	9	7.5	14	17	25	3.2	6.5	10
PED402	4	1/4"	9	10	14	17	28	3.2	6.5	14
PED6M5		M5×0.8	12.5	3.5	16.5	20	23.5	3.2	8	12
PED601	6	1/8"	12.5	7.5	16.5	20	27.5	3.2	8	12
PED602	6	1/4"	12.5	10	16.5	20	30.5	3.2	8	14
PED603	6	3/8"	12.5	11	16.5	20	32	3.2	8	17
PED801	8	1/8"	15	7.5	18.5	23	30.5	4.3	9.5	14
PED802	8	1/4"	15	10	18.5	23	33	4.3	9.5	14
PED803	8	3/8"	15	11	18.5	23	34.5	4.3	9.5	17
PED804	8	1/2"	15	14	18.5	23	38.5	4.3	9.5	21
PED1001	10	1/8"	18	7.5	21	26.5	34	4.3	11	17
PED1002	10	1/4"	18	10	21	26.5	36.5	4.3	11	17
PED1003	10	3/8"	18	11	21	26.5	37.5	4.3	11	17
PED1004	10	1/2"	18	14	21	26.5	41.5	4.3	11	21
PED1202	12	1/4"	21	10	23	30	41	4.3	13	21
PED1203	12	3/8"	21	11	23	30	42	4.3	13	21
PED1204	12	1/2"	21	14	23	30	45	4.3	13	21

### PYB series



Model\Item	ΦD	R	ΦP	L	C	K	ΦJ	JA	DC	H(Across flat)
PYB4M5		M5×0.8	9	3.5	35.5	14	3.2	13	10	9
PYB401	4	1/8"	9	7.5	39.5	14	3.2	13	10	10
PYB402	4	1/4"	9	10	42.5	14	3.2	13	10	14
PYB6M5		M5×0.8	12.5	3.5	40.5	16.5	3.2	15.5	12	12
PYB601	6	1/8"	12.5	7.5	44.5	16.5	3.2	15.5	12	12
PYB602	6	1/4"	12.5	10	47.5	16.5	3.2	15.5	12	14
PYB603	6	3/8"	12.5	11	49.0	16.5	3.2	15.5	12	17
PYB801	8	1/8"	15	7.5	50	18.5	3.2	17	14.5	14
PYB802	8	1/4"	15	10	52.5	18.5	3.2	17	14.5	14
PYB803	8	3/8"	15	11	54	18.5	3.2	17	14.5	17
PYB804	8	1/2"	15	14	58	18.5	3.2	17	14.5	21
PYB1001	10	1/8"	18	7.5	56.5	21	4.3	19.5	18	17
PYB1002	10	1/4"	18	10	59	21	4.3	19.5	18	17
PYB1003	10	3/8"	18	11	60	21	4.3	19.5	18	17
PYB1004	10	1/2"	18	14	64	21	4.3	19.5	18	21
PYB1202	12	1/4"	21	10	66	23	4.3	21	20.5	21
PYB1203	12	3/8"	21	11	67	23	4.3	21	20.5	21
PYB1204	12	1/2"	21	14	70	23	4.3	21	20.5	21

### PZB series

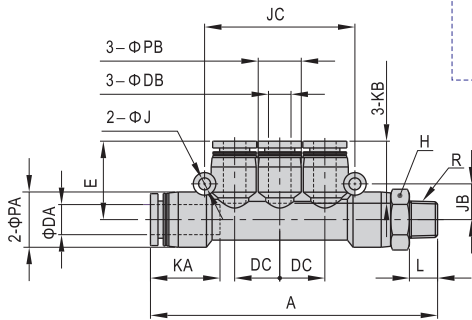


Model\Item	ΦD	R	L	A	E	C	ΦP	K	ΦJ	JB	JC	H(Across flat)
PZB601	6	1/8"	7.5		27.5	47.5						12
PZB602	6	1/4"	10	39.5	30.5	50.5	12.5	16.5	3.2	8	16	14
PZB603	6	3/8"	11		32	52						17
PZB801	8	1/8"	7.5		30.5	53.5						14
PZB802	8	1/4"	10	46	33	56	15	18.5	4.3	9.5	19	14
PZB803	8	3/8"	11		34.5	57.5						17
PZB804	8	1/2"	14		38.5	61.5						21
PZB1002	10	1/4"	10		36.5	63						17
PZB1003	10	3/8"	11	52.5	37.5	64	18	21	4.3	11	22	17
PZB1004	10	1/2"	14		41.5	68						21
PZB1203	12	3/8"	11	59.5	42	72	21	23	4.3	13	26	21
PZB1204	12	1/2"	14		45	75						21



## One-touch fittings---threaded type

### PKD series

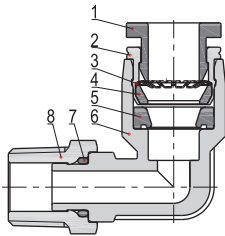


Model\Item	ΦDA	ΦDB	R	L	A	ΦPA	ΦPB
PKD6-401	6	4	1/8"	7.5	66.5	12.5	9
PKD8-602	8	6	1/4"	10	79	15	12.5
PKD10-803	10	8	3/8"	11	91.5	18	15

Model\Item	KA	KB	ΦJ	JB	JC	DC	E	H(Across flat)
PKD6-401	16.5	14	3.2	8	34	10	17.5	12
PKD8-602	18.5	16.5	3.2	9.5	40	12	21	14
PKD10-803	21	18.5	4.3	11	48	14.5	24	17

### Inner structure

#### Model: PL



No.	Item	Material
1	Release button	POM
2	Guide	Aluminum alloy
3	Spring gasket	Stainless steel
4	Chuck	POM
5	O-ring	NBR
6	Body	PBT
7	O-ring	NBR
8	Stud	Brass



Back  
Tube  
fittings



# Accessories—One-Touch Fittings

## One-touch fittings---threaded type



### Product feature

1. Variable models can be widely used in every kind of pneumatic systems.
2. High circulation performance bear the same flow with the volume of the tube inner diameter.
3. The nickel plated body is anti-corrosion and anti-pollution, which allows a broader application.
4. Metal fittings can be used in high temperature environment.

### Specification

Operating pressure range	0~9kgf/cm <sup>2</sup> (0~0.9MPa)
Negative pressure	-750mmHg(10Torr)
Proof pressure	3MPa
Ambient and fluid temperature (°C)	0~150

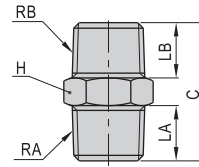
### Ordering code

**BB 01 01**

Model	Thread type	Thread connection II	Thread connection I
BB: Male connector	Blank: PT	01: 1/8" 02: 1/4" 03: 3/8" 04: 1/2"	01: 1/8" 02: 1/4" 03: 3/8" 04: 1/2"
BD: Male & female connector			
BU: Double female connector			
BZ: Hexagon head cap plug			

### Dimensions

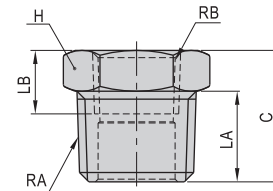
#### BB series



Model\Item	RA	RB	LA	LB	C	H(Across flat)
BB0101	1/8"	1/8"	7.5	7.5	19.5	10
BB0102	1/4"	1/8"	10	7.5	22.5	14
BB0103	3/8"	1/8"	11	7.5	24	17
BB0202	1/4"	1/4"	10	10	25	14
BB0203	3/8"	1/4"	11	10	26.5	17
BB0204	1/2"	1/4"	14	10	30	21
BB0303	3/8"	3/8"	11	11	27.5	17
BB0304	1/2"	3/8"	14	11	31	21
BB0404	1/2"	1/2"	14	14	34	21



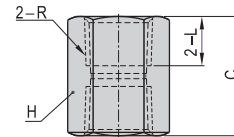
#### BD series



Model\Item	RA	RB	LA	LB	C	H(Across flat)
BD0102	1/4"	1/8"	10	8	14.5	14
BD0103	3/8"	1/8"	11	8	16	17
BD0104	1/2"	1/8"	14	8	19.5	21
BD0203	3/8"	1/4"	11	11	16	17
BD0204	1/2"	1/4"	14	11	19.5	21
BD0304	1/2"	3/8"	14	12	19.5	21



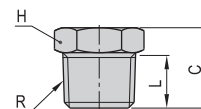
#### BU series



Model\Item	R	L	C	H(Across flat)
BU0101	1/8"	8	17	12
BU0202	1/4"	11	23	17
BU0303	3/8"	12	25	21
BU0404	1/2"	13.5	28	24



#### BZ series



Model\Item	R	L	C	H(Across flat)
BZ01	1/8"	7.5	11	10
BZ02	1/4"	10	14.5	14
BZ03	3/8"	11	16	17
BZ04	1/2"	14	19.5	21



### Configuration table of tubing thread.

Product series	Thread connection I	Thread connection II			
		01	02	03	04
BB	01	●	●	●	●
	02		●	●	●
	03			●	●
	04				●
BD	01		●	●	●
	02			●	●
	03				●
	04				
BU	01	●			
	02		●		
	03			●	
	04				●

Product series	Thread connection			
	01	02	03	04
BZ	●	●	●	●



## One-touch fittings---threaded type



### Product feature

1. Variable models can be widely used in every kind of pneumatic systems.
2. High circulation performance bear the same flow with the volume of the tube inner diameter.
3. The nickel plated body is anti-corrosion and anti-pollution, which allows a broader application.
4. Metal fittings can be used in high temperature environments.

### Specification

Operating pressure range	0~9kgf/cm <sup>2</sup> (0~0.9MPa)
Negative pressure	-750mmHg (10Torr)
Proof pressure	3MPa
Ambient and fluid temperature (°C)	0~150

Note: The temperature resistance level of the tubing should be confirmed first when used in high temperature environments.

### Ordering code

**BKC 06 04 - 01**

**Model**

BKC: Straight locknut connector

**Tubing outer diameter**

- 04: Φ4mm
- 06: Φ6mm
- 08: Φ8mm
- 10: Φ10mm
- 12: Φ12mm

**Thread type**

Blank: PT

**Thread connection**

- M3: M3X0.5
- M5: M5X0.8
- 01: 1/8"
- 02: 1/4"
- 03: 3/8"
- 04: 1/2"

**Tubing inner diameter**

- 25: Φ2.5mm
- 04: Φ4mm
- 05: Φ5mm
- 06: Φ6mm
- 65: Φ6.5mm
- 75: Φ7.5mm
- 08: Φ8mm
- 09: Φ9mm

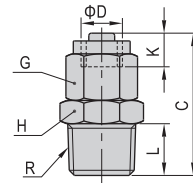
Note: When using the tubing Φ8×Φ5.5, the straight lock nut connector of BKC0806 can be used.

### Configuration table of tubing and tubing thread

Product series	Tubing outer diameter	Tubing inner diameter	Thread connection					
			M3	M5	01	02	03	04
BKC	04	25	●	●	●	●	●	●
	06	04			●	●	●	
	08	05			●	●	●	
		06			●	●	●	
	10	65				●	●	●
		75				●	●	●
	12	08				●	●	●
		09				●	●	●

### Dimensions

#### BKC series



Model\Item	Tubing outer diameter	Tubing inner diameter	R	L	C	K	G (Across flat)	H (Across flat)
BKC0425-M3	4	2.5	M3×0.5	3	17	5	8	8
BKC0425-M5			M5×0.8	3.5	17.5			8
BKC0425-01			1/8"	7.5	20.5			10
BKC0604-01	6	4	1/8"	7.5	22	5.5	10	10
BKC0604-02			1/4"	10	25.5			14
BKC0604-03			3/8"	11	27			17
BKC0805-01	8	5	1/8"	7.5	24	6.5	12	12
BKC0805-02			1/4"	10	27.5			14
BKC0805-03			3/8"	11	29			17
BKC0806-01	8	5.5 or 6	1/8"	7.5	24	6.5	12	12
BKC0806-02			1/4"	10	27.5			14
BKC0806-03			3/8"	11	29			17
BKC1065-02	10	6.5	1/4"	10	30	7.5	15	15
BKC1065-03			3/8"	11	31.5			17
BKC1065-04			1/2"	14	35.5			21
BKC1075-02	10	7.5	1/4"	10	30	7.5	15	15
BKC1075-03			3/8"	11	31.5			17
BKC1075-04			1/2"	14	35.5			21
BKC1208-02	12	8	1/4"	10	30	7.5	17	17
BKC1208-03			3/8"	11	31.5			17
BKC1208-04			1/2"	14	35.5			21
BKC1209-02	12	9	1/4"	10	30	7.5	17	17
BKC1209-03			3/8"	11	31.5			17
BKC1209-04			1/2"	14	35.5			21

### Installation and application

#### 1. Method of inserting or removal a tubing

##### 1.1 Inserting a tubing

Place the locking cap over the tubing, and insert the tubing into the body, then tighten the locking cap. (As figure 1)

##### 1.2 Removing a tubing

Loosen the locking cap first, then remove the tubing. (As figure 2)

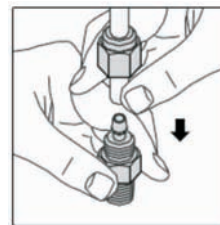


Figure 1

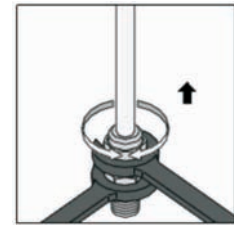
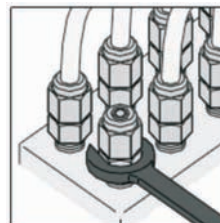


Figure 2

#### 2. Method of tightening the connector thread

Tighten the connector with a hex wrench, as shown below.





## One-touch fittings---tube-tube type



### Product feature

1. Variable models can be widely used in every kind of pneumatic systems.
2. High circulation performance: bear the same flow with the volume of the tubing inside diameter.
3. Connect tubing easily and conveniently. The tubing connection portion is safe and durable.
4. The threaded portion is covered with sealant and the M5 thread is attached with a sealing gasket to prevent air leakage over the connection thread portion.
5. The nickel plated body is anti-corrosion and anti-pollution, which allows a broader application.

### Table for interface port and tube O.D.

Product series	Port size				
	Φ4	Φ6	Φ8	Φ10	Φ12
PE, PY, PV, PU, PM, PLM, PP, PZ	●	●	●	●	●

Product series	Port size I	Port size II			
		Φ4	Φ6	Φ8	Φ10
PG	Φ4				
	Φ6	●			
	Φ8	●	●		
	Φ10		●	●	
	Φ12			●	●
PEG	Φ4				
	Φ6	●			
	Φ8		●		
	Φ10			●	
PEW	Φ4				
	Φ6	●			
	Φ8		●		
	Φ10			●	
PYW	Φ4				
	Φ6	●			
	Φ8		●		
	Φ10			●	
PGJ	Φ4				
	Φ6	●			
	Φ8	●	●		
	Φ10		●	●	
PZG	Φ4				
	Φ6	●			
	Φ8		●		
	Φ10			●	
PKG	Φ4				
	Φ6	●			
	Φ8		●		
	Φ10			●	
PHK	Φ4				
	Φ6				
	Φ8		●		
	Φ10			●	
PHD	Φ4				
	Φ6				
	Φ8		●		
	Φ10			●	

### Specification

Operating pressure range	0~9kgf/cm <sup>2</sup> (0~0.9MPa)
Negative pressure	-750mmHg(10Torr)
Proof pressure	1.5MPa
Ambient and fluid temperature (°C)	0~60
Applicable tubing	Soft nylon or polyurethane
Color	Grey/black

### Ordering code

Same diameter type fittings:

PE 6

Model	
PM: Bulkhead union 	PE: Union tee 
PLM: Bulkhead male elbow 	PY: Union "Y" 
PP: Plug 	PV: Union elbow 
PZ: Cross 	PU: Straight union 

#### Standard color

Standard color	Specification	
Blank: Gray	PM	Release button: Gray
	Others	Release button: Gray Body: Gray
D: Black	PM	Release button: Black
	Others	Release button: Black Body: Black

#### Port size

4: Φ4mm
6: Φ6mm
8: Φ8mm
10: Φ10mm
12: Φ12mm

Different diameter type fittings:

PEG 6-4

Model	
PG: Different diameter straight 	PEG: Different diameter tee 
PZG: Different diameter cross 	PEW: Different diameter tee 
PKG: Reducer triple branch union 	PYW: Different diameter union "Y" 
PHK: Universal reducer triple branch union 	PGJ: Plug-in reducer 
PHD: Universal reducer four branch union 	

#### Standard color

Standard color	Specification
Blank: Gray	Release button: Gray Body: Gray
D: Black	Release button: Black Body: Black

#### Port size II

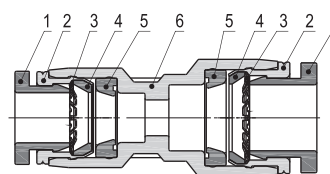
4: Φ4mm
6: Φ6mm
8: Φ8mm
10: Φ10mm

#### Port size I

4: Φ4mm
6: Φ6mm
8: Φ8mm
10: Φ10mm
12: Φ12mm

### Inner structure

Model: PG

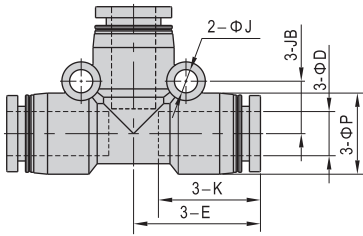


No.	Item	Material
1	Release button	POM
2	Guide	Aluminum alloy
3	Spring gasket	Stainless steel
4	Chuck	POM
5	O-ring	NBR
6	Body	PBT

## One-touch fittings---tube-tube type

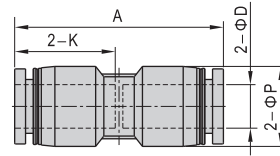
### ■ Dimensions

#### PE series



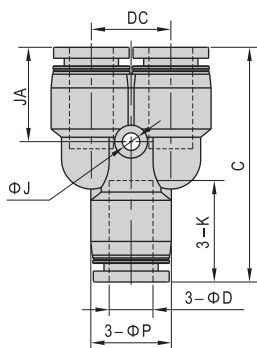
Model\Item	ΦD	ΦP	K	E	ΦJ	JB
PE4	4	9	14	17	3.2	6.5
PE6	6	12.5	16.5	20	3.2	8
PE8	8	15	18.5	23	4.3	9.5
PE10	10	18	21	26.5	4.3	11
PE12	12	21	23	30	4.3	13

#### PU series



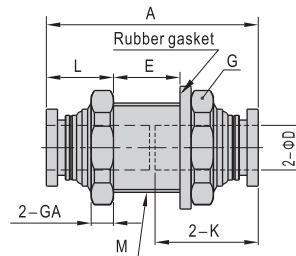
Model\Item	ΦD	ΦP	K	A
PU4	4	9	14	29.5
PU6	6	12.5	16.5	34
PU8	8	15	18.5	38.5
PU10	10	18	21	43
PU12	12	21	23	47

#### PY series



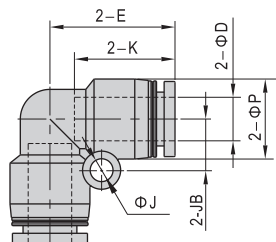
Model\Item	ΦD	ΦP	C	K	ΦJ	JA	DC
PY4	4	9	31.5	14	3.2	13	10
PY6	6	12.5	37	16.5	3.2	15.5	12
PY8	8	15	42.5	18.5	4.3	17	14.5
PY10	10	18	48.5	21	4.3	19.5	18
PY12	12	21	54.5	23	4.3	21	20.5

#### PM series



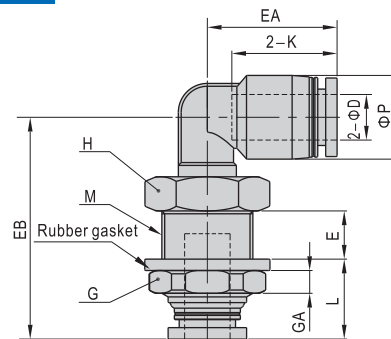
Model\Item	ΦD	M	A	K	L	E	G(Across flat)	GA
PM4	4	M12X1	29	14	10	7	14	4
PM6	6	M14X1	34	16.5	10.5	11	17	4
PM8	8	M16X1	38	18.5	11.5	13	19	4
PM10	10	M20X1	43	21	12.5	16	24	5
PM12	12	M22X1	46.5	23	13.5	17.5	27	6

#### PV series



Model\Item	ΦD	ΦP	K	E	ΦJ	JB
PV4	4	9	14	17	3.2	6.5
PV6	6	12.5	16.5	20	3.2	8
PV8	8	15	18.5	23	4.3	9.5
PV10	10	18	21	26.5	4.3	11
PV12	12	21	23	30	4.3	13

#### PLM series



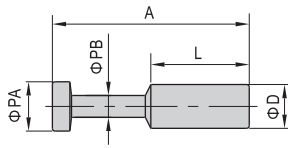
Model\Item	ΦD	ΦP	M	L	E	K	EA	EB	G(Across flat)	GA	H(Across flat)
PLM4	4	9	M12X1	12	7.5	14	17	31	14	4	14
PLM6	6	12.5	M14X1	12.5	8.5	17	20	35.5	17	4	17
PLM8	8	15	M16X1	13.5	9	18.5	23	39	19	4	19
PLM10	10	18	M20X1	14.5	11	21	25.5	44.5	24	5	22
PLM12	12	21	M22X1	15.5	11	23	29.5	48	27	6	24



# Accessories—One-Touch Fittings

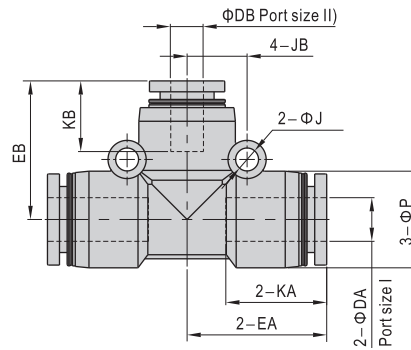
## One-touch fittings---tube-tube type

### PP series



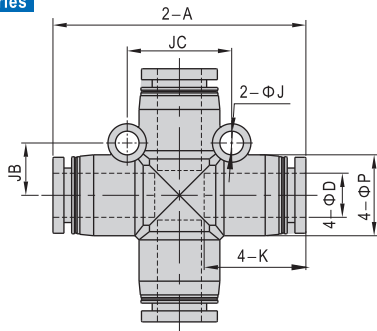
Model\Item	ΦD	ΦPA	ΦPB	L	A
PP4	4	5	3	15	27.5
PP6	6	7	3	17	32
PP8	8	9	4	18	36
PP10	10	11	5	20	42
PP12	12	13	6	23	44

### PEG series



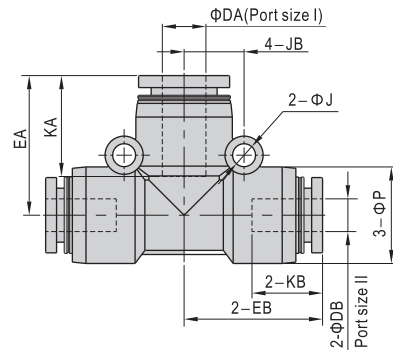
Model\Item	ΦDA	ΦDB	ΦP	KA	KB	EA	EB	ΦJ	JB
PEG6-4	6	4	12.5	16.5	14	20.0	19.5	3.2	8
PEG8-6	8	6	15	18.5	16.5	22.5	22	4.3	9.5
PEG10-8	10	8	18	21	18.5	25.5	25.5	4.3	11
PEG12-8	12	8	21	23	18.5	29	28.5	4.3	13
PEG12-10	12	10	21	23	21	29	29	4.3	13

### PZ series



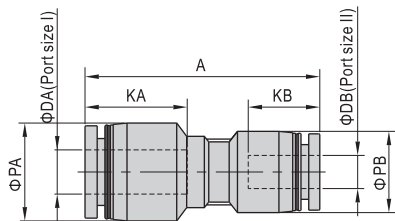
Model\Item	ΦD	A	ΦP	K	ΦJ	JB	JC
PZ4	4	34	9	14	3.2	6.5	13
PZ6	6	39.5	12.5	16.5	3.2	8	16
PZ8	8	46	15	18.5	4.3	9.5	19
PZ10	10	52.5	18	21	4.3	11	22
PZ12	12	59.5	21	23	4.3	13	26

### PEW series



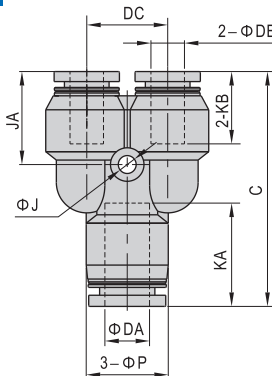
Model\Item	ΦDA	ΦDB	ΦP	KA	KB	EA	EB	ΦJ	JB
PEW6-4	6	4	12.5	16.5	14	20	19.5	3.2	8
PEW8-6	8	6	15	18.5	16.5	22.5	22	4.3	9.5
PEW10-8	10	8	18	21	18.5	25.5	25.5	4.3	11
PEW12-8	12	8	21	23	18.5	29	28.5	4.3	13
PEW12-10	12	10	21	23	21	29	29	4.3	13

### PG series



Model\Item	ΦDA	ΦDB	ΦPA	ΦPB	KA	KB	A
PG6-4	6	4	12.5	9	16.5	14	33.5
PG8-4	8	4	15	12.5	18.5	14	37.5
PG8-6	8	6	15	12.5	18.5	16.5	38
PG10-6	10	6	18	15	21	16.5	42
PG10-8	10	8	18	15	21	18.5	42.5
PG12-8	12	8	21	18	23	18.5	46.5
PG12-10	12	10	21	18	23	21	47

### PYW series



Model\Item	ΦDA	ΦDB	C	ΦP	KA	KB	ΦJ	JA	DC
PYW6-4	6	4	36.5	12.5	16.5	14	3.2	15	12
PYW8-6	8	6	42	15	18.5	16.5	3.2	16.5	14.5
PYW10-8	10	8	48.5	18	21	18.5	4.3	19	18
PYW12-8	12	8	54	21	23	18.5	4.3	20.5	20.5
PYW12-10	12	10	54.5	21	23	21	4.3	21	20.5

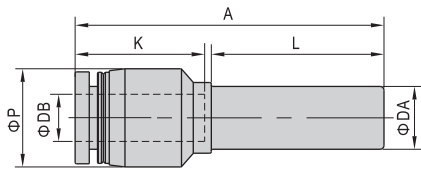


Back Tube fittings

# Accessories—One-Touch Fittings

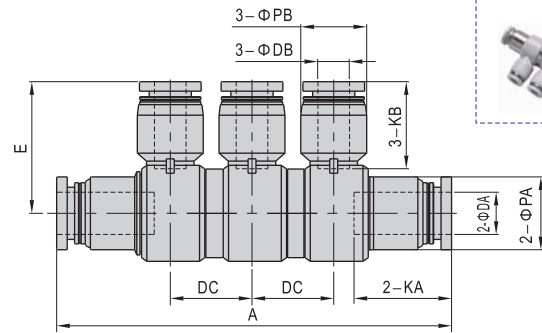
## One-touch fittings---tube-tube type

### PGJ series



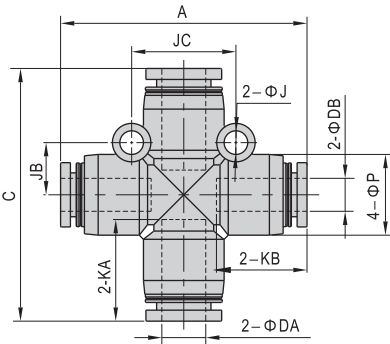
Model\Item	ΦDA	ΦDB	ΦP	K	L	A
PGJ6-4	6	4	9	14	21	35
PGJ8-4	8	4	12.5	14	22	39
PGJ8-6	8	6	12.5	16.5	22	39.5
PGJ10-6	10	6	15	16.5	25	44
PGJ10-8	10	8	15	18.5	25	44.5
PGJ12-8	12	8	18	18.5	26	48.5
PGJ12-10	12	10	18	21	26	49

### PHK series



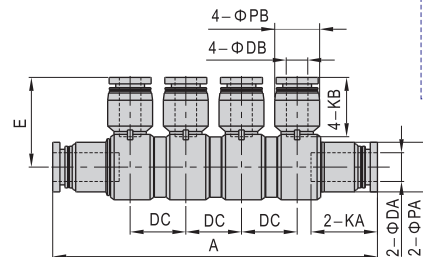
Model\Item	ΦDA	ΦDB	A	ΦPA	ΦPB	KA	KB	DC	E
PHK8-6	8	6	75	14	12.5	18.5	16.5	15.5	25
PHK10-8	10	8	85.5	17	15	21	18.5	16.5	29.5

### PZG series



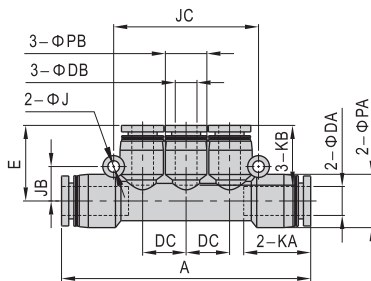
Model\Item	ΦDA	ΦDB	A	C	ΦP	KA	KB	ΦJ	JB	JC
PZG6-4	6	4	39	39.5	12.5	16.5	14	3.2	8	16
PZG8-6	8	6	45	46	15	18.5	16.5	4.3	9.5	19
PZG10-8	10	8	52	52.5	18	21	18.5	4.3	11	22
PZG12-10	12	10	59	59.5	21	23	21	4.3	13	26

### PHD series



Model\Item	ΦDA	ΦDB	A	ΦPA	ΦPB	KA	KB	DC	E
PHD8-6	8	6	90.5	14	12.5	18.5	16.5	15.5	25
PHD10-8	10	8	102.5	17	15	21	18.5	16.5	29.5

### PKG series



Model\Item	ΦDA	ΦDB	A	ΦPA	ΦPB	KA	KB	ΦJ	JB	JC	DC	E
PKG6-4	6	4	58.5	12.5	9	16.5	14	3.2	8	34	10	17.5
PKG8-6	8	6	69	15	12.5	18.5	16.5	3.2	9.5	40	12	21
PKG10-8	10	8	80	18	15	21	18.5	4.3	11	48	14.5	24



← Back  
Tube  
fittings



## Metal one-touch fittings



### Product feature

1. High flow capacity; The flowrate of these fittings is equivalent to that of the adaptable tubings.
2. Inserting or removal tubing is simple and convenient, and the connecting portion is reliable and durable.
3. Sealant is coated on threaded portion. The M5 metric thread is attached with a sealing gasket, to ensure no leakage of the threaded connection part.
4. The fitting metal body adopts a special nickel-plating process, which has good corrosion resistance.
5. Metal fittings can be used in high temperature environment.

### Specification

Operating pressure	0~9kgf/cm <sup>2</sup> (0~0.9MPa)
Negative pressure	-750mmHg(10Torr)
Proof pressure	1.5MPa
Temperature range	0~150°C
Applicable tubing	Nylon or Polyurethane
Color	Grey/Black

Note: The temperature resistance level of the tubing should be confirmed first when used in high temperature environments.

### Configuration table of tubing inner diameter

Product series	Thread type	Port size				
		φ4	φ6	φ8	φ10	φ12
BPC	M5	●	●			
	1/8"	●	●	●	●	
	1/4"	●	●	●	●	●
	3/8"		●	●	●	●
	1/2"				●	●
BPOC	M5	●	●			
	1/8"	●	●	●		
	1/4"		●	●	●	
	3/8"				●	●
	1/2"					●
BPCF	M5	●	●			
	1/8"	●	●	●		
	1/4"		●	●	●	
	3/8"				●	●
	1/2"					●
BPMF	M5					
	1/8"	●	●	●		
	1/4"		●	●	●	
	3/8"				●	●
	1/2"					●

Product series	Port size				
	φ4	φ6	φ8	φ10	φ12
BPM	●	●	●	●	●

### Ordering code

**BPC 6 01** □

<b>Model</b>	<b>Thread type</b>
BPC: Metal male connector	Blank: PT
	<b>Thread connection</b>
BPOC: Hexagon socket head metal male connector	M5: M5X0.8
	01: 1/8"
BPCF: Metal female connector	02: 1/4"
	03: 3/8"
BPMF: Metal bulkhead female connector	04: 1/2"
	<b>Port size</b>
	4: φ4mm
	6: φ6mm
	8: φ8mm
	10: φ10mm
	12: φ12mm

### Inner structure

**Model: BPC**

NO.	Name	Material
1	Metal connector	Brass
2	Locating ring	Aluminum alloy
3	Spring gasket	Stainless steel
4	Locating seat	Aluminum alloy
5	Special shape O-ring	Viton
6	Straight connector body	Brass

**BPM 6**

<b>Model</b>	<b>Port size</b>
BPM: Metal bulkhead connector	4: φ4mm
	6: φ6mm
	8: φ8mm
	10: φ10mm
	12: φ12mm

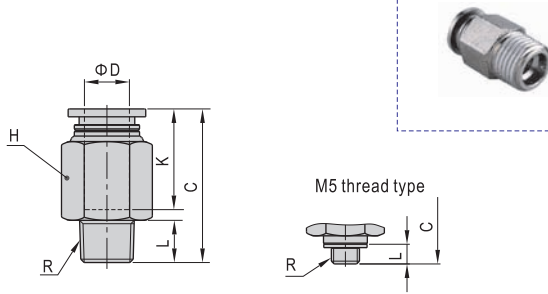




## Metal one-touch fittings

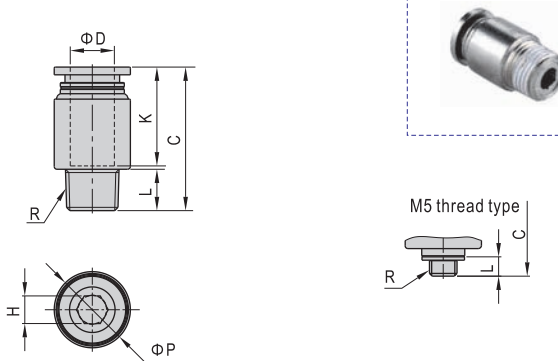
### ■ Dimensions

#### BPC series



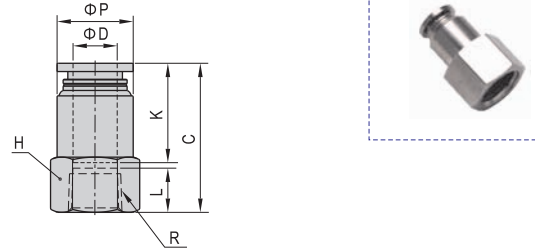
Model\Item	ΦD	R	L	C	K	H(Across flat)
BPC4M5	4	M5X0.8	3.5	19.5	14	9
BPC401		1/8"	7.5	19.5	14	10
BPC402		1/4"	10	19	14	14
BPC6M5	6	M5X0.8	3.5	22	16	12
BPC601		1/8"	7.5	21.5	18	12
BPC602		1/4"	10	24	18	14
BPC603	3/8"	11	22.5	18	17	
BPC801	8	1/8"	7.5	27.5	18	14
BPC802		1/4"	10	26.5	18	14
BPC803		3/8"	11	23	18	17
BPC1001	10	1/8"	7.5	29.5	20.5	17
BPC1002		1/4"	10	32	20.5	17
BPC1003		3/8"	11	27.5	20.5	17
BPC1004	1/2"	14	25.5	20.5	21	
BPC1202	12	1/4"	10	34.5	22	21
BPC1203		3/8"	11	30	22	21
BPC1204		1/2"	14	32	22	21

#### BPOC series



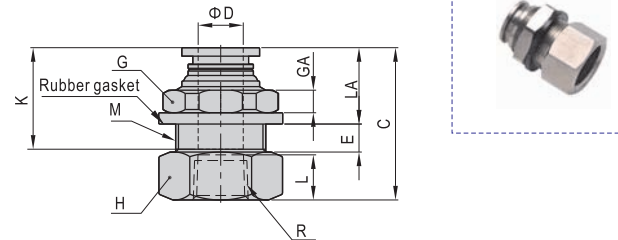
Model\Item	ΦD	R	ΦP	L	C	K	H(Across flat)
BPOC4M5	4	M5X0.8	9	3.5	18.5	14	2
BPOC401		1/8"	10	7.5	17.5	14	2.5
BPOC6M5		M5X0.8	12	3.5	21	16	2
BPOC601	6	1/8"	12	7.5	21.5	18	4
BPOC602		1/4"	14	10	21.5	18	4
BPOC801		1/8"	14	7.5	26	17.5	5
BPOC802	8	1/4"	14	10	24.5	17.5	6
BPOC1002		1/4"	17	10	28.5	20.5	6
BPOC1003		3/8"	17	11	27.5	20.5	8
BPOC1203	12	3/8"	21	11	29.5	22	8
BPOC1204		1/2"	21	14	31.5	22	8

#### BPCF series



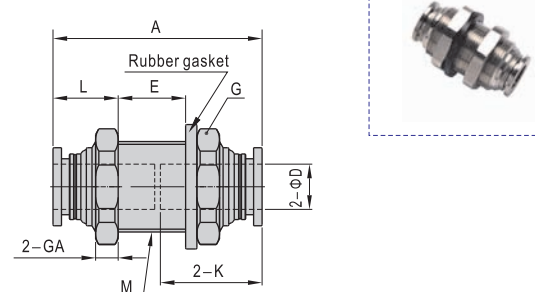
Model\Item	ΦD	R	ΦP	L	C	K	H(Across flat)
BPCF4M5	4	M5X0.8	9	5	21	14	10
BPCF401		1/8"	9.5	8	23	14	14
BPCF6M5		M5X0.8	12	5	21	16	12
BPCF601	6	1/8"	12.5	8	25	16	14
BPCF602		1/4"	12.5	11	28	16	17
BPCF801		1/8"	14	8	27	18	14
BPCF802	8	1/4"	14.5	11	30	18	17
BPCF1002		1/4"	17	11	32.5	20.5	17
BPCF1003		3/8"	18	12	33.5	20.5	21
BPCF1203	12	3/8"	21	12	35	22	21
BPCF1204		1/2"	21	13.5	36.5	22	25

#### BPMF series



Model\Item	ΦD	R	M	L	C	K	LA	E	G(Across flat)	GA	H(Across flat)	
BPMF401	4	1/8"	M12X1	8	25	14	12	4	14	4	14	
BPMF601		6	1/8"	M14X1	8	25	16	12	5	17	4	17
BPMF602			1/4"	M14X1	11	30	16	12	5	17	4	17
BPMF801	1/8"		M16X1	8	27	18	13	5.5	19	4	19	
BPMF802	8	1/4"	M16X1	11	31.5	18	13	5.5	19	4	19	
BPMF1002		1/4"	M20X1	11	34.5	20.5	14	7.5	24	5	22	
BPMF1003		3/8"	M20X1	12	35.5	20.5	14	7.5	24	5	22	
BPMF1203	12	3/8"	M22X1	12	37	22	15	8	27	6	24	
BPMF1204		1/2"	M22X1	13.5	38.5	22	15	8	27	6	25	

#### BPM series



Model\Item	ΦD	M	A	K	L	E	G(Across flat)	GA
BPM4	4	M12X1	28.5	14	10	7	14	4
BPM6	6	M14X1	33	16	10	11	17	4
BPM8	8	M16X1	37	18	11	13	19	4
BPM10	10	M20X1	41.5	20.5	12	16	24	5
BPM12	12	M22X1	45	22	13	17.5	27	6

