

3D PDF DATASHEET



 eCATALOG solutions



 BIM catalogs.net



 PART solutions



Create Your Individual 3D PDF Datasheet ▶

Learn How to Create Your Mechanical Product Catalog ▶

Learn How to Create Your BIM Product Catalog ▶

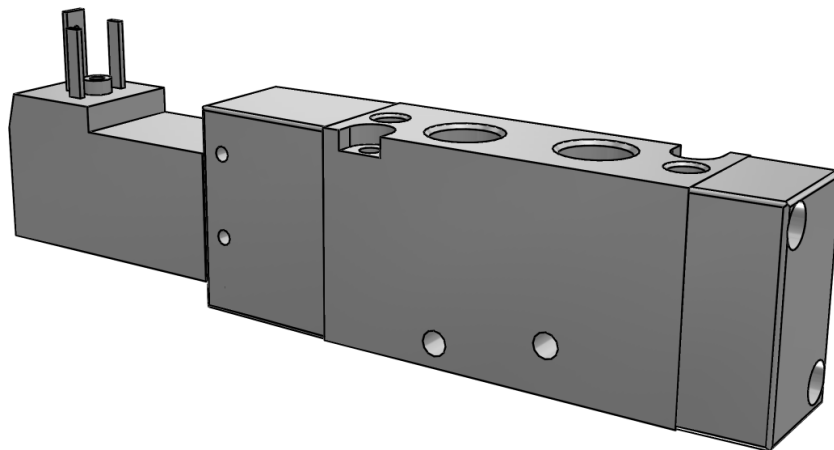
Reduce Your Costs in Engineering and Purchasing ▶



7062020102

3D View

To activate the interactive 3D view, you must trust this document (see hint on the top) in Adobe Acrobat and click on the question mark.



Zoom

Moves you toward or away from objects in the scene when you drag vertically. You can also zoom with the hand tool by holding down Shift as you drag.



Pan

Moves the model vertically and horizontally only. You can also pan with the hand tool: Ctrl-drag.



Rotate

Turns 3D objects around relative to the screen. How the objects move depends on the starting view, where you start dragging and the direction in which you drag.

3D PDF DATASHEET



 eCATALOG solutions




 BIM catalogs.net



 PART solutions



Create Your Individual 3D PDF Datasheet 

Learn How to Create Your Mechanical Product Catalog 

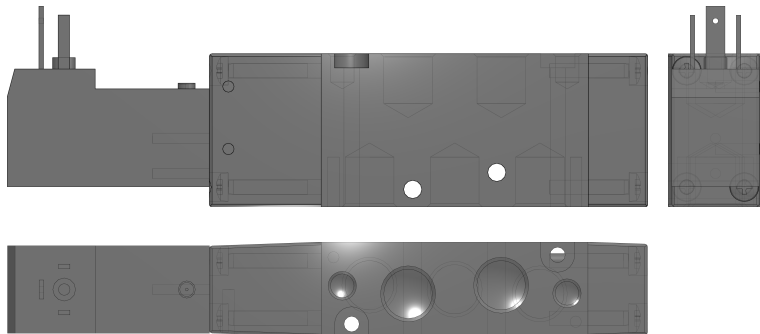
Learn How to Create Your BIM Product Catalog 

Reduce Your Costs in Engineering and Purchasing 

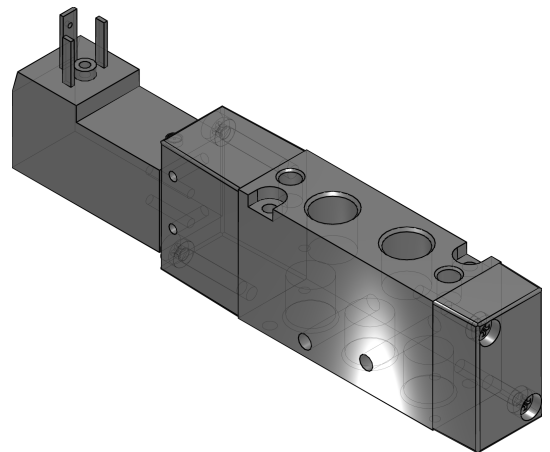


7062020102

2D derivation



ISO View





eCATALOGsolutions



BIM catalogs.net



PARTsolutions



Create Your Individual 3D PDF Datasheet

Learn How to Create Your Mechanical Product Catalog

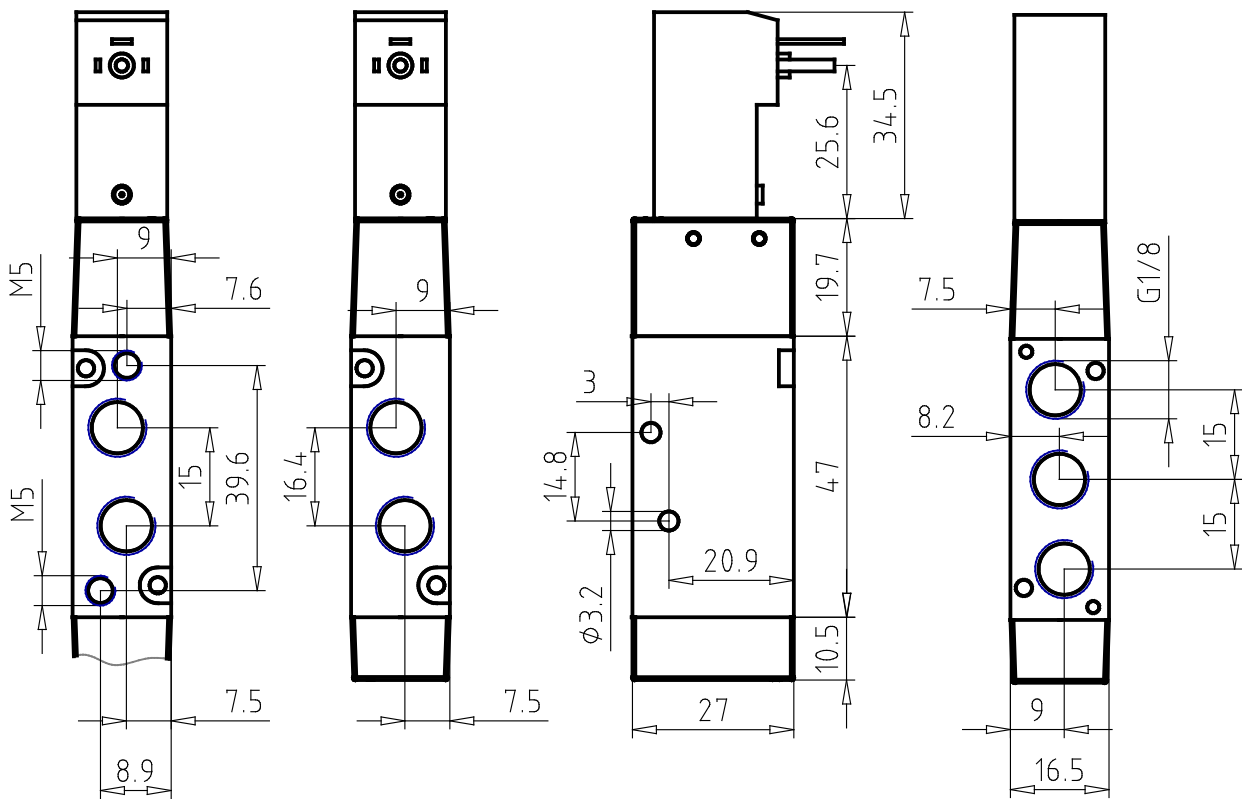
Learn How to Create Your BIM Product Catalog

Reduce Your Costs in Engineering and Purchasing



7062020102

Technical drawings



3D PDF DATASHEET



 eCATALOG solutions



 BIM catalogs.net



 PART solutions



Create Your Individual 3D PDF Datasheet ▶

Learn How to Create Your Mechanical Product Catalog ▶

Learn How to Create Your BIM Product Catalog ▶

Reduce Your Costs in Engineering and Purchasing ▶



7062020102

Technical Data

CODE (Code)	7062020102
DC (Description)	MSV 25 SOP 00 24VDC
FA (Family)	MSV solenoid/pneumatic
DIM (Port)	1/8"
FU (Function)	5/2
OP (Operators 14)	solenoid/pneumatic
RES (Resetting 12)	pneumatic spring
FD (Further details)	5/2
VDC (Voltage)	24VDC
WG (Weight / g)	92
INFO (Catalogue)	Catalogue

3D PDF DATASHEET



 eCATALOG solutions




 BIM catalogs.net




 PART solutions



Create Your Individual 3D PDF Datasheet 

Learn How to Create Your Mechanical Product Catalog 

Learn How to Create Your BIM Product Catalog 

Reduce Your Costs in Engineering and Purchasing 



7062020102

Bill of Materials

N°	Description	Amount
1	7062020102	1