

## CAUTION:

Risk of Electric Shock. Do Not Open.



The lightning flash with an arrowhead symbol, within an equilateral triangle, is intended to alert the user to the presence of uninsulated “dangerous voltage” within the product’s enclosure that may be of sufficient magnitude to constitute a risk of electric shock to persons.



The exclamation point within an equilateral triangle is intended to alert the user to the presence of important operating and maintenance (servicing) instructions in the literature accompanying the product.

## WARRANTY

TIC offers a limited one-year full parts and labor warranty for all of our new products.

Please visit TIC’s warranty page (<http://www.ticcorp.com/warranty/>) for detail to our latest warranty policy.

## TRADEMARK

Apple and the Apple logo are trademarks of Apple Inc., registered in the U.S. and other countries. App Store is a service mark of Apple Inc., registered in the U.S. and other countries.

Google Play and the Google Play logo are trademarks of Google LLC.

TIC Audio Inc. All rights reserved. The TIC logo is a trademark of TIC Audio Inc, registered in the United States. Features, specifications, and appearance are subject to change without notice.

For more information, please visit our website: [www.ticcorp.com](http://www.ticcorp.com).



# Wifi Patio Speakers

featuring  
TIC WifiStream multi-room  
music streaming platform



# WPS6

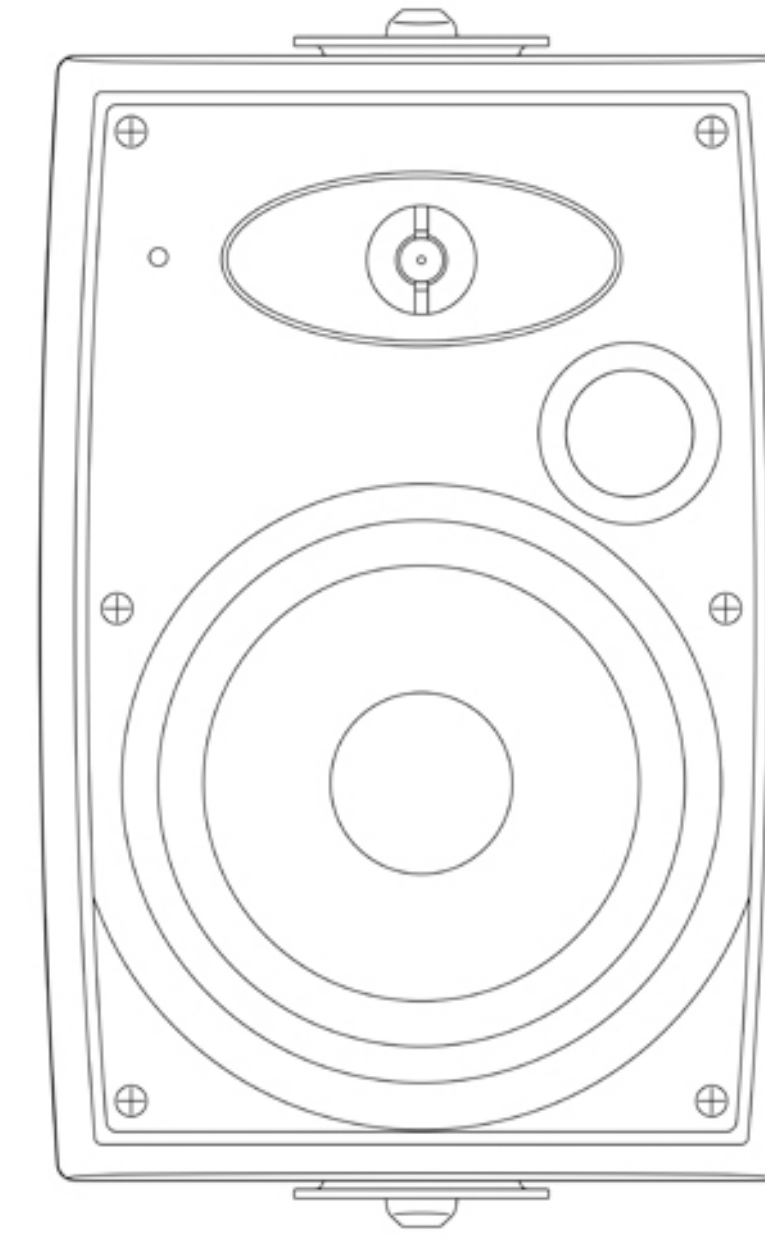
# Instruction Manual



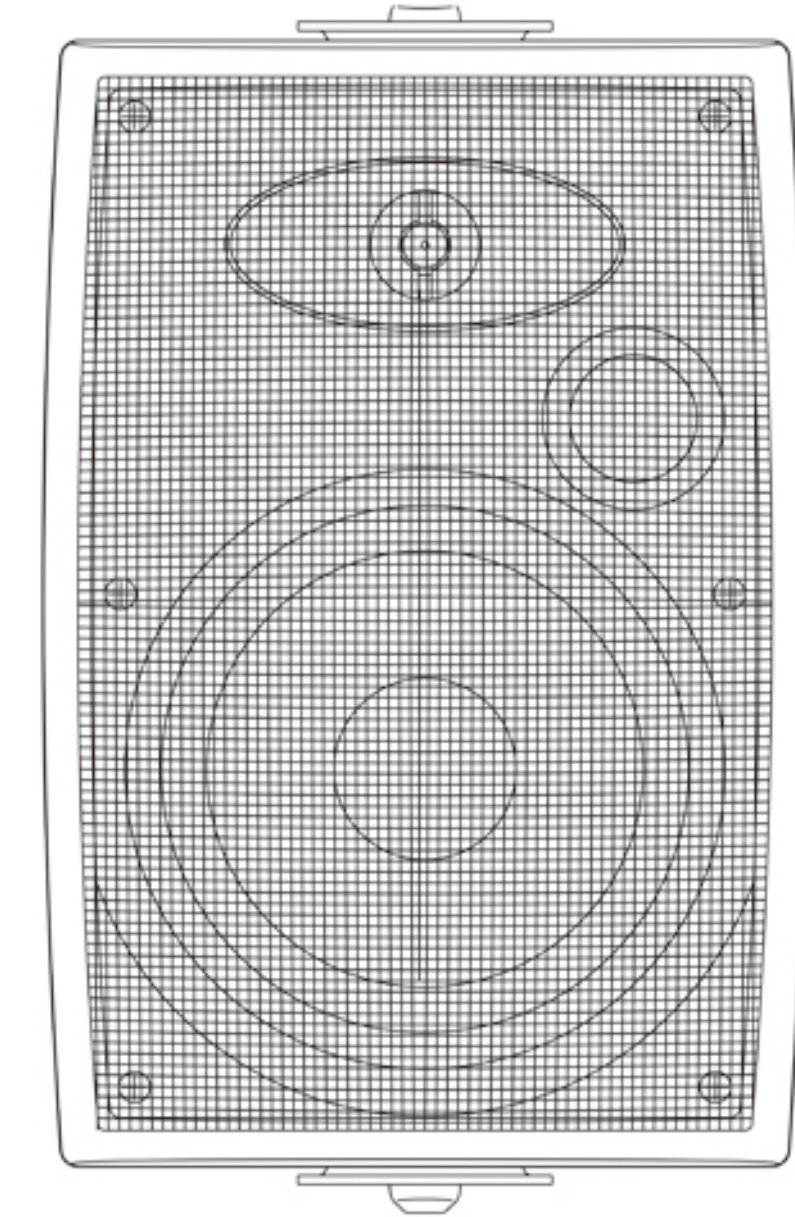
## 1-2-3 Quick Start Guide

1. Connect main and pairing speaker with included speaker wire. Plug in power adapter to main speaker.
2. Download TIC WifiStream app from Apple App Store or Google Play. Follow instruction on TIC WifiStream app to connect speaker to your Wifi network.
3. Once connected, install patio speakers in desired locations. Play music via AirPlay or TIC WifiStream app.

## Content



Main Speaker



Pairing Speaker



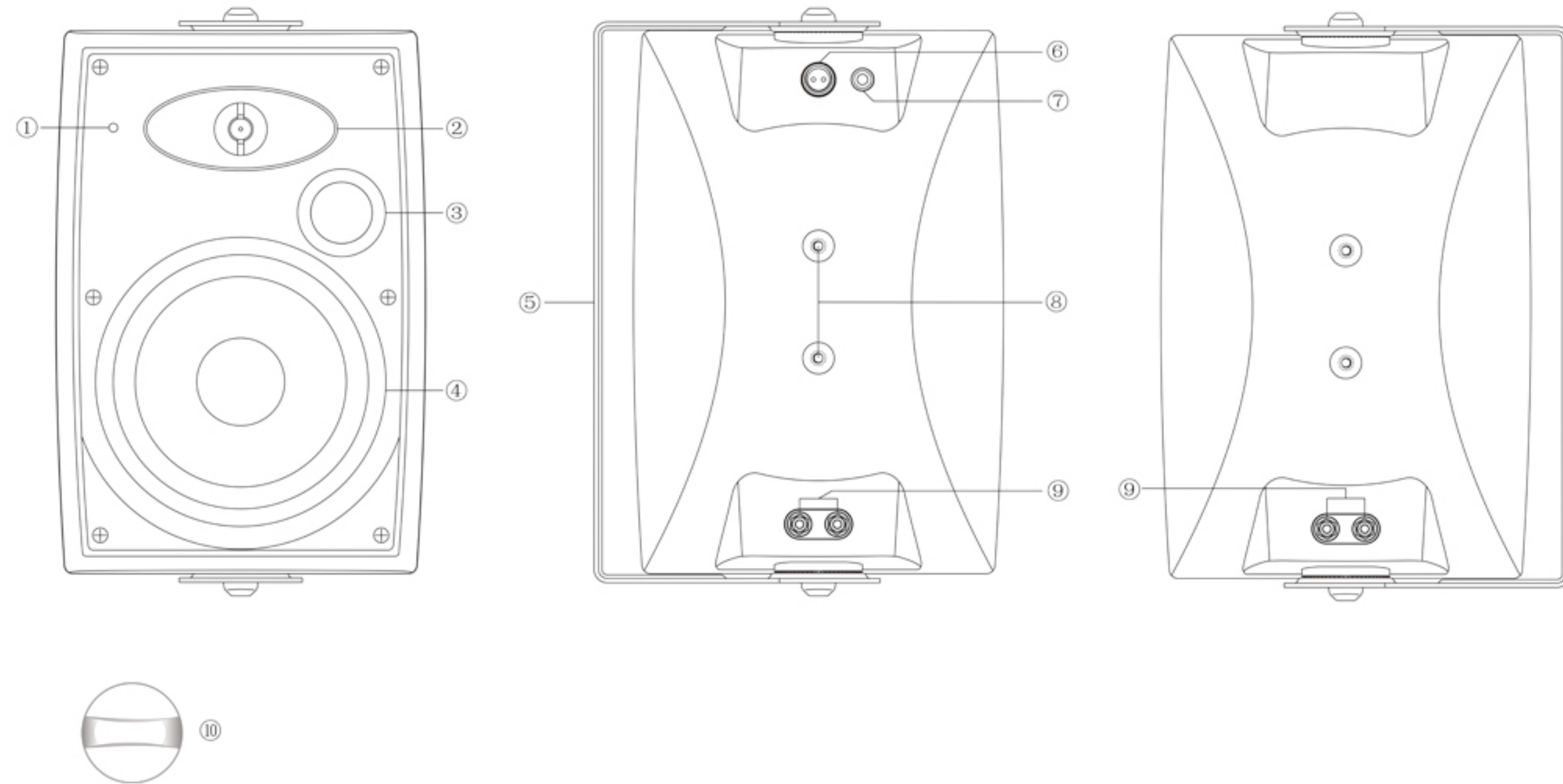
Power Adapter



15' Speaker Wire

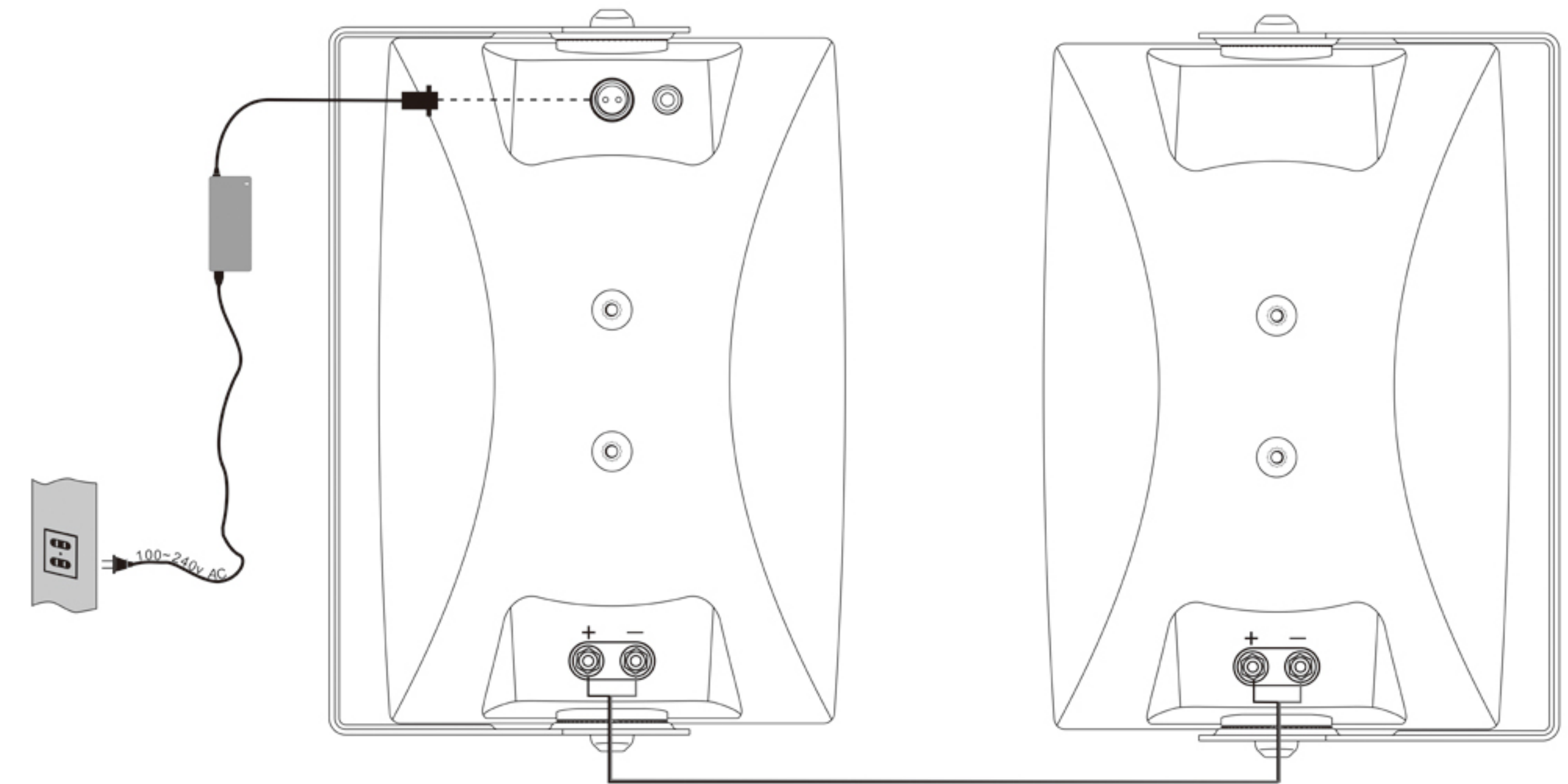


## Overview



1. Bluetooth LED
2. Tweeter
3. Bass Enhancing Sound Port
4. Woofer
5. 180° Mounting Bracket
6. Power Adapter Connector
7. Bluetooth Pairing/Reset Button
8. Mounting Threads
9. Speaker Wire Connector
10. Bracket End Caps

## Connection



The pairing speaker should be installed at least 5 feet apart but at most 15 feet from the main speaker (with the included speaker wire). If the pairing is installed further apart, you need to purchase an additional speaker wire cable, ideally in thicker gauge (14AWG or higher), especially for installation longer than 30 feet apart. Pairing speaker performance may decline over long distance, especially when using low-quality speaker wire.

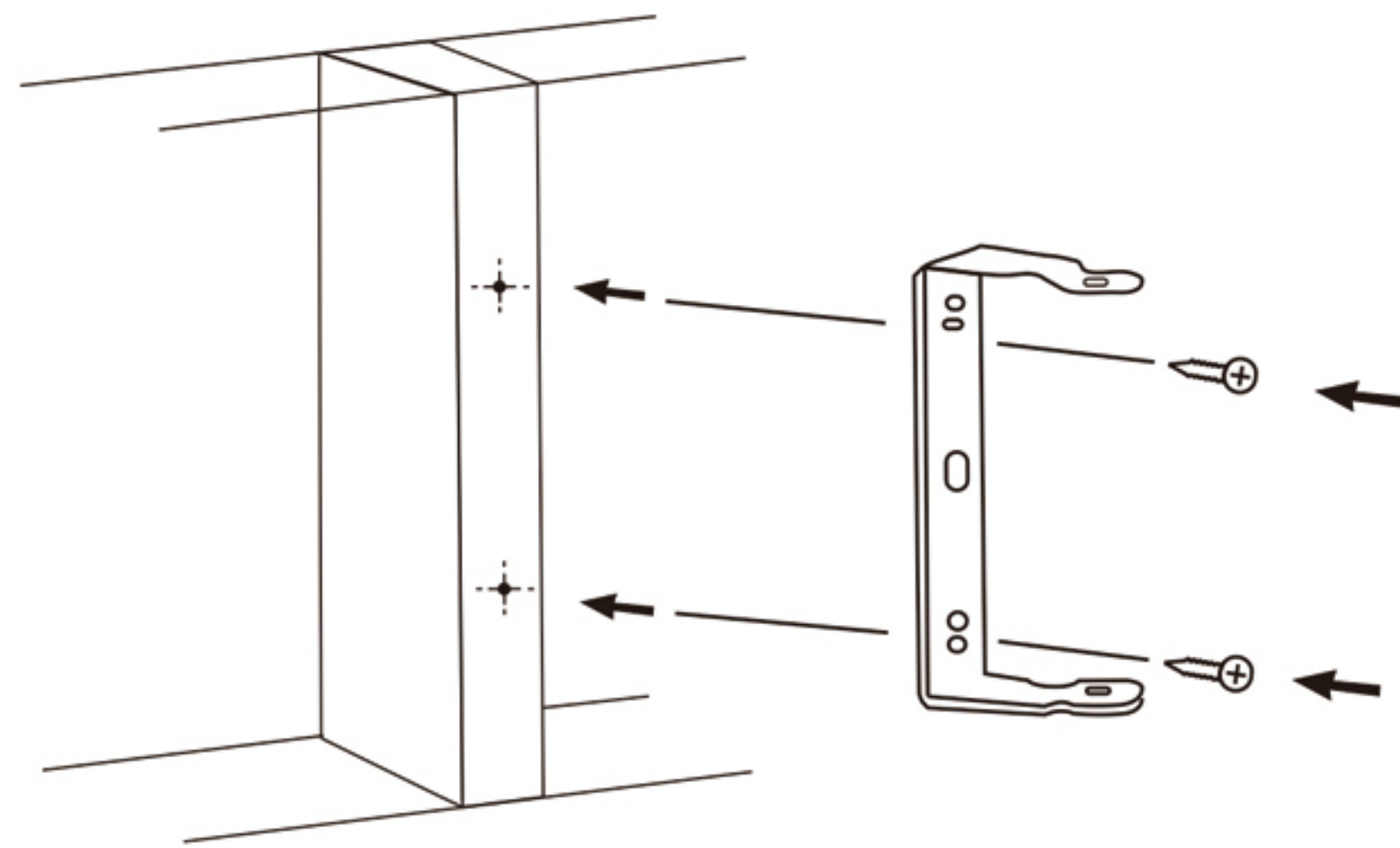


# Installation

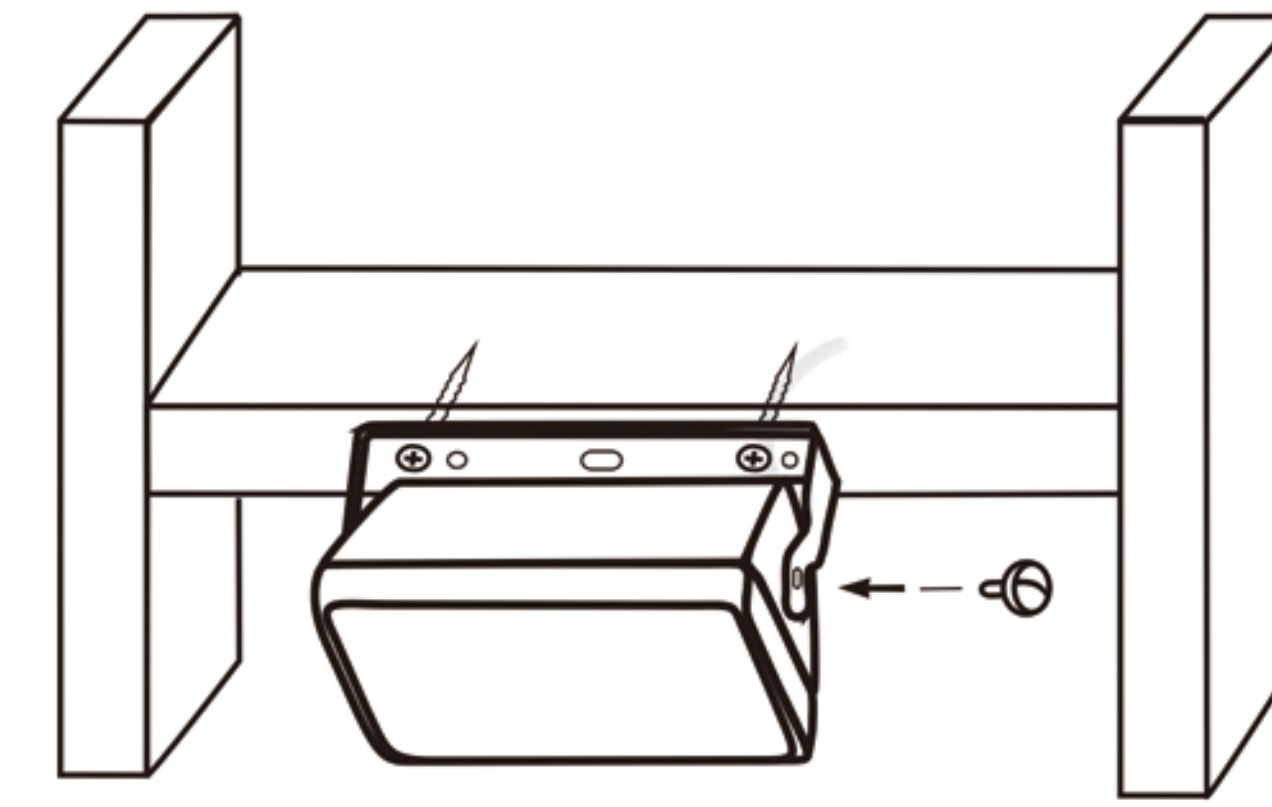
While not required, we recommend that you first connect the speaker to your wifi network before you install the patio speakers in the desired locations and allow the speakers to reconnect automatically.

## Step-by-Step:

1. First determine the locations where the main and pairing speaker will be installed. The main speaker should be installed close enough to a suitable power source.



2. Remove the brackets from the speakers by simply unscrewing the end caps. Secure the brackets to the desired locations with the appropriate mounting screws/anchors. Please ensure the appropriate screws/anchors match with the material of the mounting location and can safely support the weight of the speaker.



3. Once the bracket is securely mounted, attach and install the speakers by screwing back the end caps. Be sure to adjust the desired angle before tightening the end caps.
4. Alternatively, the speaker may be installed directly (without the brackets) with common 3rd party speaker mounts by using the embedded mounting thread on the back of the speakers.
5. Connect power adapter to the main speaker. Ensure the connector is screwed in tightly to prevent potential water damage.
6. Plug in power adapter to an electrical outlet. If the outlet is outdoor, please ensure the connection is covered during use or the adapter is unplugged when not in use.
7. Connect the speaker wire from the main speaker to the pairing speaker. Ensure the polarity (Red +/Black -) of the wire matches on both ends.

*Please note the speakers are water-resistant but not water-proof. They are not designed to be submerged in water. In addition, the front of the speaker should be pointed at least 5° downward to minimize water pooling on drivers and entering the sound port. To maximize longevity, the speakers should be installed under an overhang (or patio, beam, awning, etc.) During periods of prolonged inactivity and/or extreme weather, we recommend removing the speakers from the brackets and storing them in a safe indoor space.*



## Wifi Setup

In order to use this speaker, you must download the TIC WifiStream app on the Apple App Store or Google Play. Search for “TIC WifiStream” in the respective store. Alternatively, follow this QR code (or go to [www.ticcorp.com/wifistream](http://www.ticcorp.com/wifistream)) for download links and additional help for installation and operation.



The TIC WifiStream app contains step-by-step instruction on how to connect your speaker to your wifi network. The supplemental instruction below is provided for your convenience.

In order to connect the speaker to your wifi network, your smartphone or tablet device must be connected to the same network. **This speaker is only compatible with 2.4G band, not 5.8G band.** Please ensure you are using the 2.4G signal for any multi-band router.

During the initial set up, we recommend that you move the speaker close to the router. While not required, it will provide the fastest and most seamless set up. It is required that the speaker is close to the phone/tablet you are using during the setup.

Please note the speaker is powered on when the power adapter is plugged in (as indicated by the blue LED). However, it will take 10-20 seconds to boot up the system. You will hear a musical phrase once the speaker is ready to connect and operate.

## WifiStream App Operation

### Overview

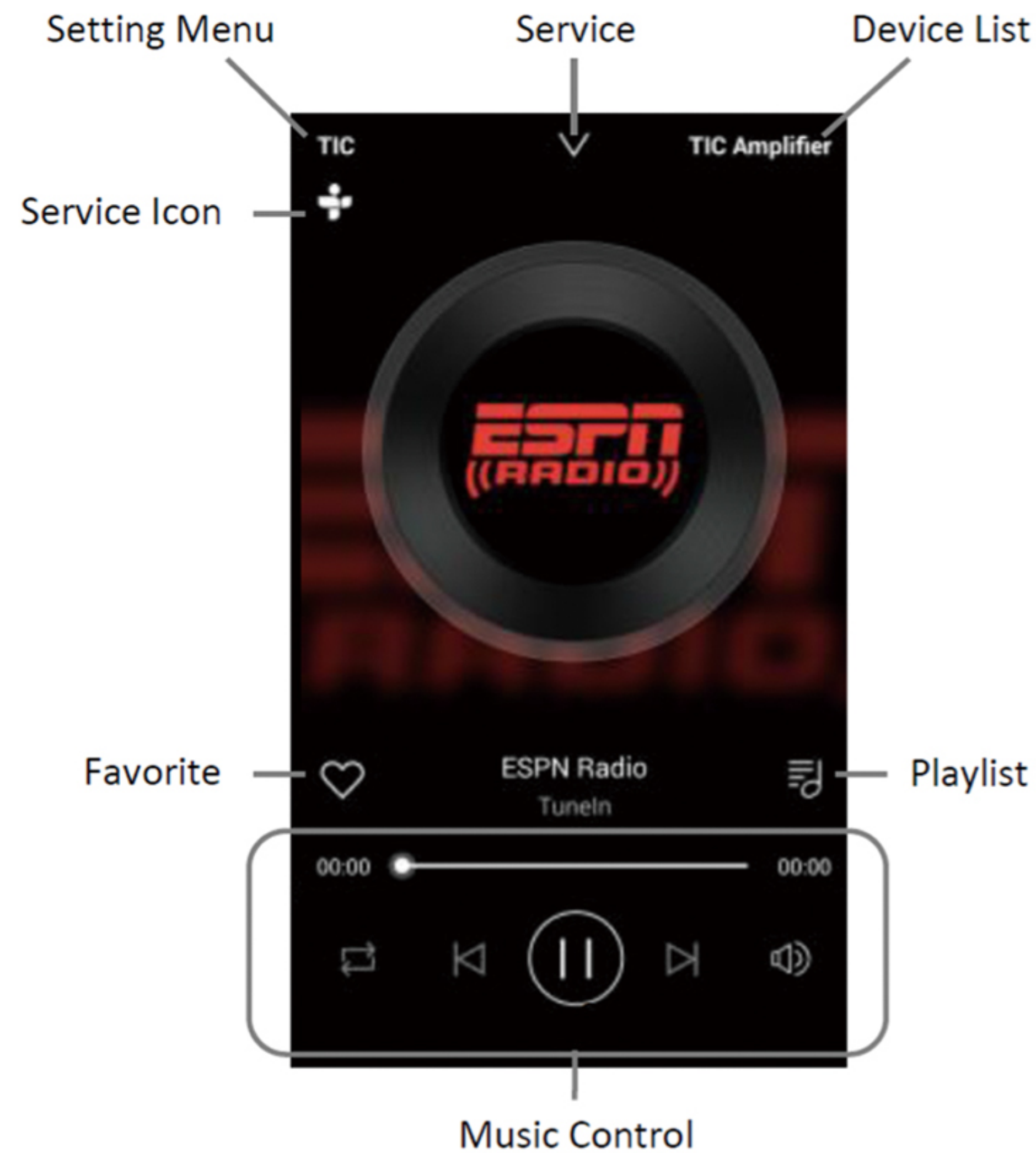
The TIC WifiStream app is required to set up the speakers and maintain AirPlay capability. Music can be streamed to any WifiStream device via the app or AirPlay. The app must be installed on each device that uses the speakers via AirPlay.

Streaming via AirPlay provides the most seamless experience and the widest range of compatibility. On Apple devices, you can directly choose the speaker as the output device in most native media apps/services (ie. Pandora, Apple Music, Amazon Music, Spotify, YouTube, TuneIn Radio etc.) under the AirPlay icon.

Android devices may take advantage of AirPlay capability via third-party apps/services. Additional cost may be applied and service is not guaranteed.

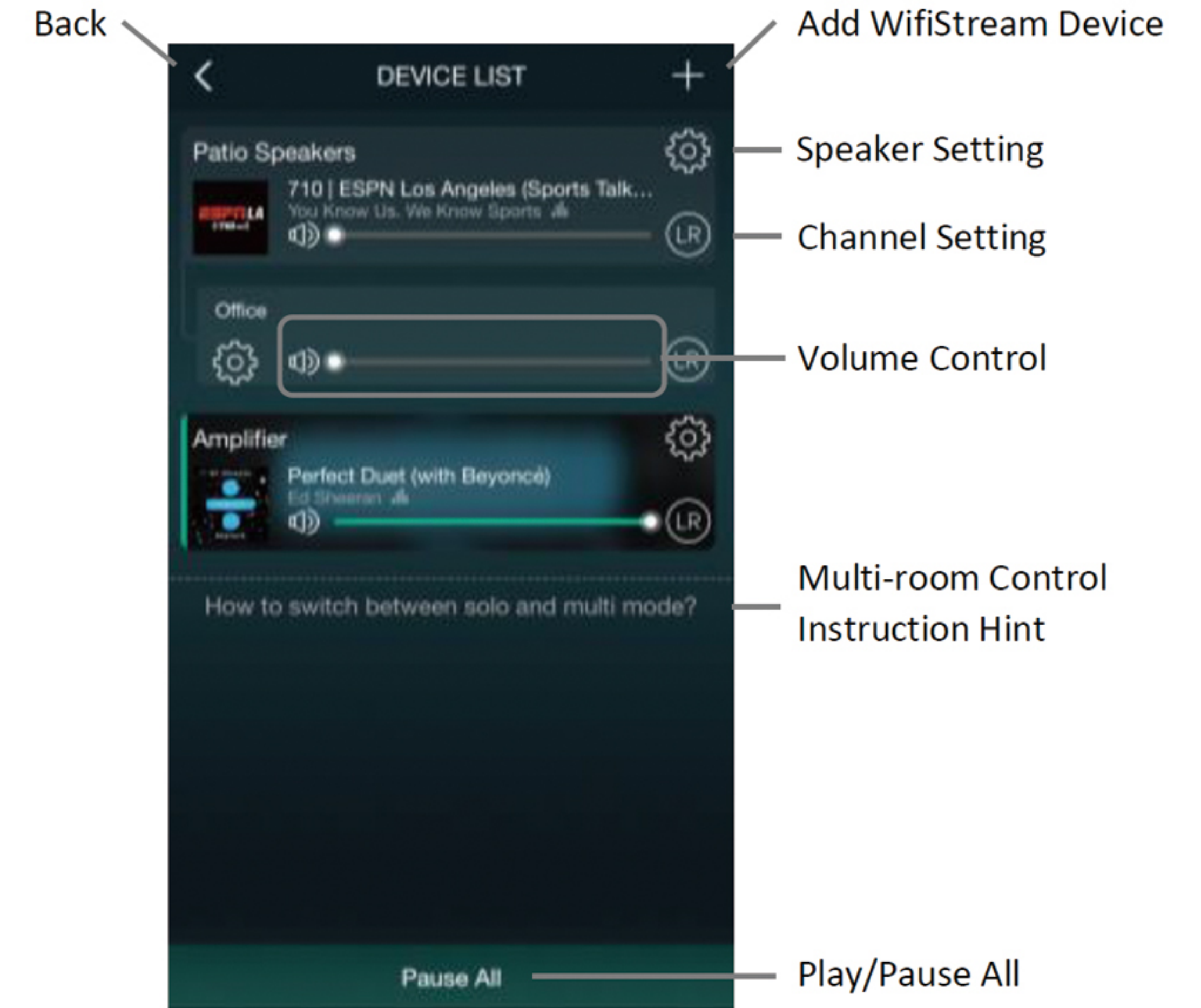


## Main Screen



- Setting Menu – access music services, favorite, and playlists
- Service – access service-specific menu& control
- Device List – multi-room and device control
- Service Icon – icon to denote current service (non-clickable)
- Favorite – add/delete favorite (local or service-specific if applicable)
- Playlist – view playlist (local or service-specific if applicable)
- Music Control – repeat, back, play/pause, forward/scan, volume control

## Device List Screen



- Add WifiStream Device – access wifi setup wizard to add more speakers
- Speaker Setting – rename speaker & misc speaker setting
- Channel Setting – switch output channel (stereo, left-only, or right-only)
- Instruction Hint – click to see how to set up multi-room groups\*

\* You can group speakers by dragging a “grouped” speaker into a “main” speaker. Ungroup by dragging a “grouped” speaker to the bottom half. Once a group is formed, only the “main” speaker can be selected in any AirPlay menu. While volume can be customized individually, speakers in the same group will play content in sync.



## Troubleshooting

Issue: Not connecting to wifi network

- Check if the wifi network SSID and password is correct and the network you are using is 2.4G, not 5.8G.
- Make sure phone/tablet and speaker are close to each other during set up.
- Speaker may be out of router's wifi range. Try moving speaker closer to router.
- Check if the router's internet connection is active.
- Hold the wifi button until factory default setting is restored and rerun wifi setup wizard.

Issue: Audio does not play

- Check power is turned on. (Blue LED is on)
- Unmute or turn up volume on app and phone/tablet. There is no volume control on speaker itself.
- In device list screen, make sure multi-room group setting is correct. The wrong speaker may be chosen.

For more detailed instruction, walk-through videos, and additional help, please visit [www.ticcorp.com/wifistream](http://www.ticcorp.com/wifistream).

## Specifications

Power Handling:	2 × 40W
Tweeter:	1" PET dome
Woofers:	6.5" injection molded PP cone with butyl rubber
Frequency Response:	72hz - 20Khz
Sensitivity:	86±3db
Wifi Band:	2.4G
Cabinetry Material:	Formulated ABS
Input:	DC19V 3.1A
Unit Dimension:	18" x 15.6" x 10.3"

### SOUND WARNING:

Avoid hearing damage by establishing safe listening volumes. Listening to this product at high volumes or for extended time periods may cause permanent hearing loss. Protect your hearing by establishing safe volumes. Start with the volume setting control at its lowest setting. Slowly increase the volume until you can hear it comfortably and clearly without distortion. Reduce the volume or stop listening if you experience ringing in your ears or any discomfort. Consult with a physician if needed.



## IMPORTANT SAFETY INSTRUCTIONS:

1. Read these instructions.
2. Keep and follow all instructions.
3. Heed all warnings.
4. For indoor products, do not use this apparatus near water. For outdoor products, please do not expose apparatus to water longer than its intended time and level.
5. Clean only with a dry cloth.
6. Do not install this apparatus near any heat sources such as radiators, heat registers, stoves or other apparatus (including amplifiers) that produce heat.
7. Do not block any ventilation openings. Install this apparatus in accordance with the manufacturer's instructions.
8. Do not defeat the safety purpose of the polarized or grounding-type plug. A polarized plug has two blades with one wider than the other. A ground-type plug has two blades and a third grounding prong. The wide blade or the third prong is provided for your safety. If the provided plug does not fit into your outlet, consult an electrician for replacement of the obsolete outlet.
9. Protect the power cord from being walked on or pinched, particularly at plugs, convenience receptacles and the point where they exit from the apparatus.
10. Use only attachments and accessories specified by the manufacturer.
11. Unplug this apparatus during lightning storms or when unused for long periods of time.
12. Refer all servicing to qualified service personnel. Servicing is required when the apparatus has been damaged in any way, such as when the power supply cord or plug is damaged, liquid has been spilled or objects have fallen into the apparatus, or does not operate normally or has been dropped.
13. Do not expose this apparatus to dripping or splashing, and ensure that no objects filled with liquids, such as vases, are placed on the apparatus.
14. To disconnect this apparatus from the AC mains completely, disconnect the power supply cord plug from the AC receptacle.
15. The mains plug of the power supply cord shall remain readily operable.
16. Do not expose batteries to excessive heat such as sunshine, fire, or the like.
17. This is not a children's product and is not intended for use by children under 14 years old.

## FCC WARNING:

This device complies with Part 15 of the FCC Rules. Operation is subject to the following two conditions: (1) this device may not cause harmful interference, and (2) this device must accept any interference received, including interference that may cause undesired operation. Changes or modifications not expressly approved by the party responsible for compliance could void the user's authority to operate the equipment.

### Note 1:

This equipment has been tested and found to comply with the limits for a Class B digital device, pursuant to part 15 of the FCC Rules. These limits are designed to provide reasonable protection against harmful interference in a residential installation. This equipment generates, uses and can radiate radio frequency energy and, if not installed and used in accordance with the instructions, may cause harmful interference to radio communications. However, there is no guarantee that interference will not occur in a particular installation. If this equipment does cause harmful interference to radio or television reception, which can be determined by turning the equipment off and on, the user is encouraged to try to correct the interference by one or more of the following measures:

- Reorient or relocate the receiving antenna.
- Increase the separation between the equipment and receiver.
- Connect the equipment into an outlet on a circuit different from that to which the receiver is connected.
- Consult the dealer or an experienced radio/TV technician for help.

### Note 2:

1. Changes or modifications to this unit not expressly approved by the party responsible for compliance could void the user's authority to operate the equipment.
2. This equipment should be installed and operated with a minimum distance of 20 cm between the device and your body.