



WARRANTY

TIC offers a limited one-year full parts and labor warranty for all of our new products.

Please visit TIC's warranty page (<http://www.ticcorp.com/warranty/>) for detail to our latest warranty policy

LICENSING, COPYRIGHT & MISC NOTICE

The Bluetooth® word mark and logos are registered trademarks owned by the Bluetooth SIG, Inc. and any use of such marks by TIC is under license. Other trademarks and trade names are those of their respective owners.

TIC Audio Inc. All rights reserved. The TIC logo is a trademark of TIC Audio Inc, registered in the United States. Features, specifications, and appearance are subject to change without notice.

For more information, please visit our website: www.ticcorp.com.



Bluetooth® Patio Speakers

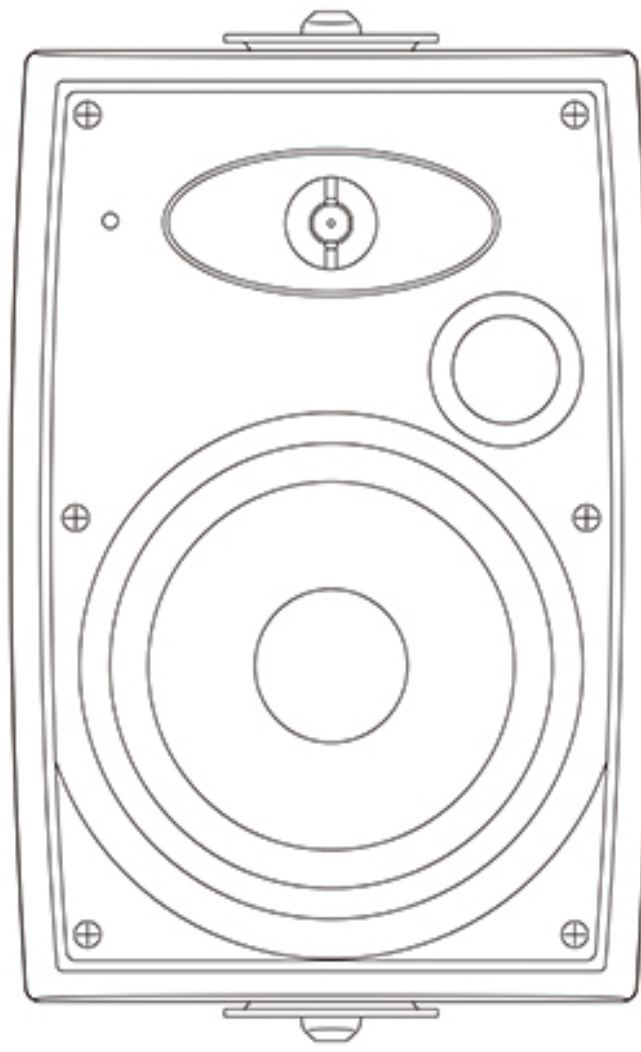


BPS6

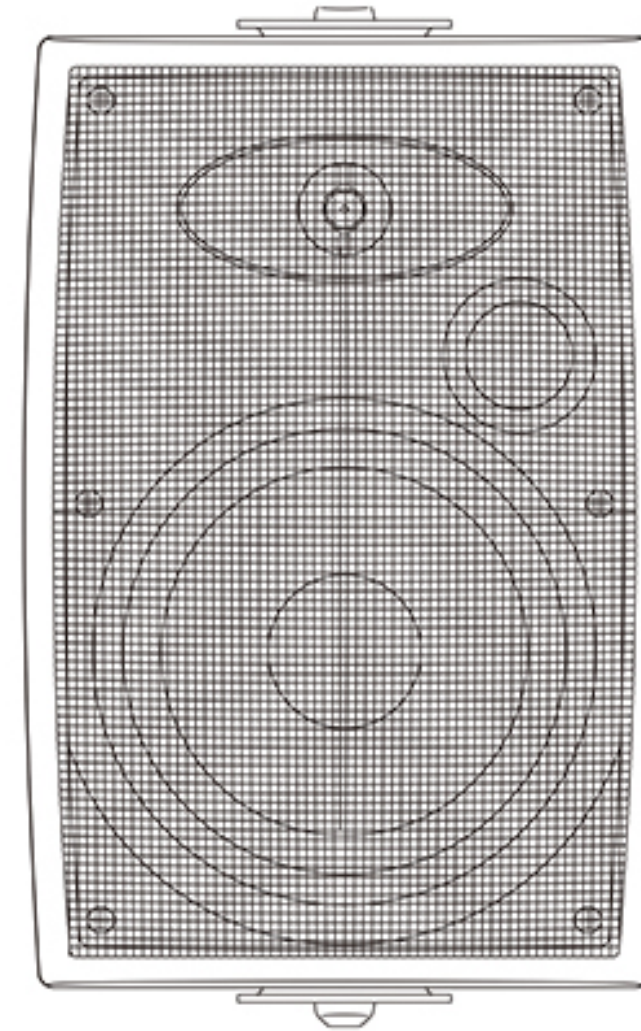
Instruction Manual



Package Content



Main Speaker



Pairing Speaker

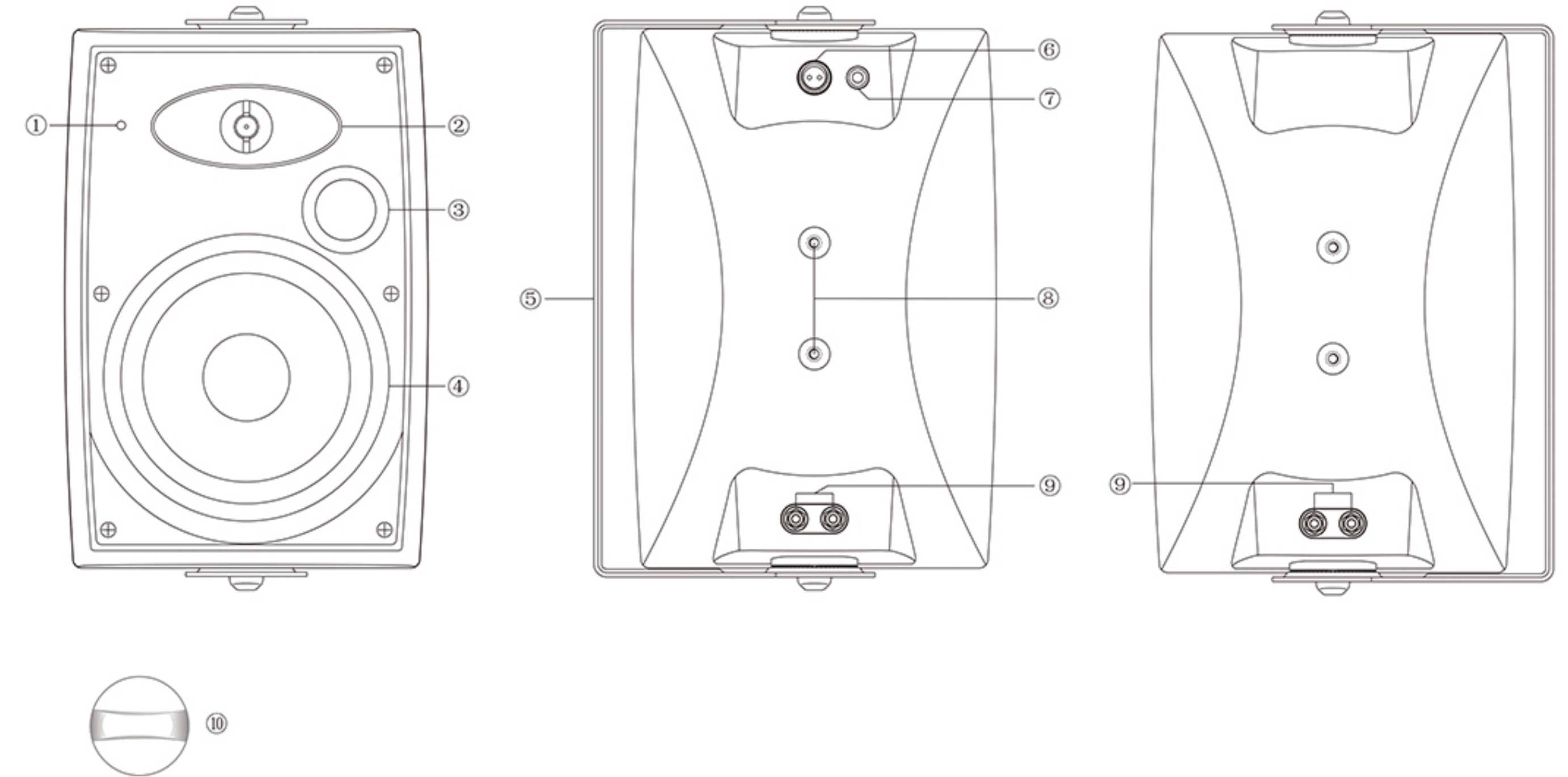


Power Adapter



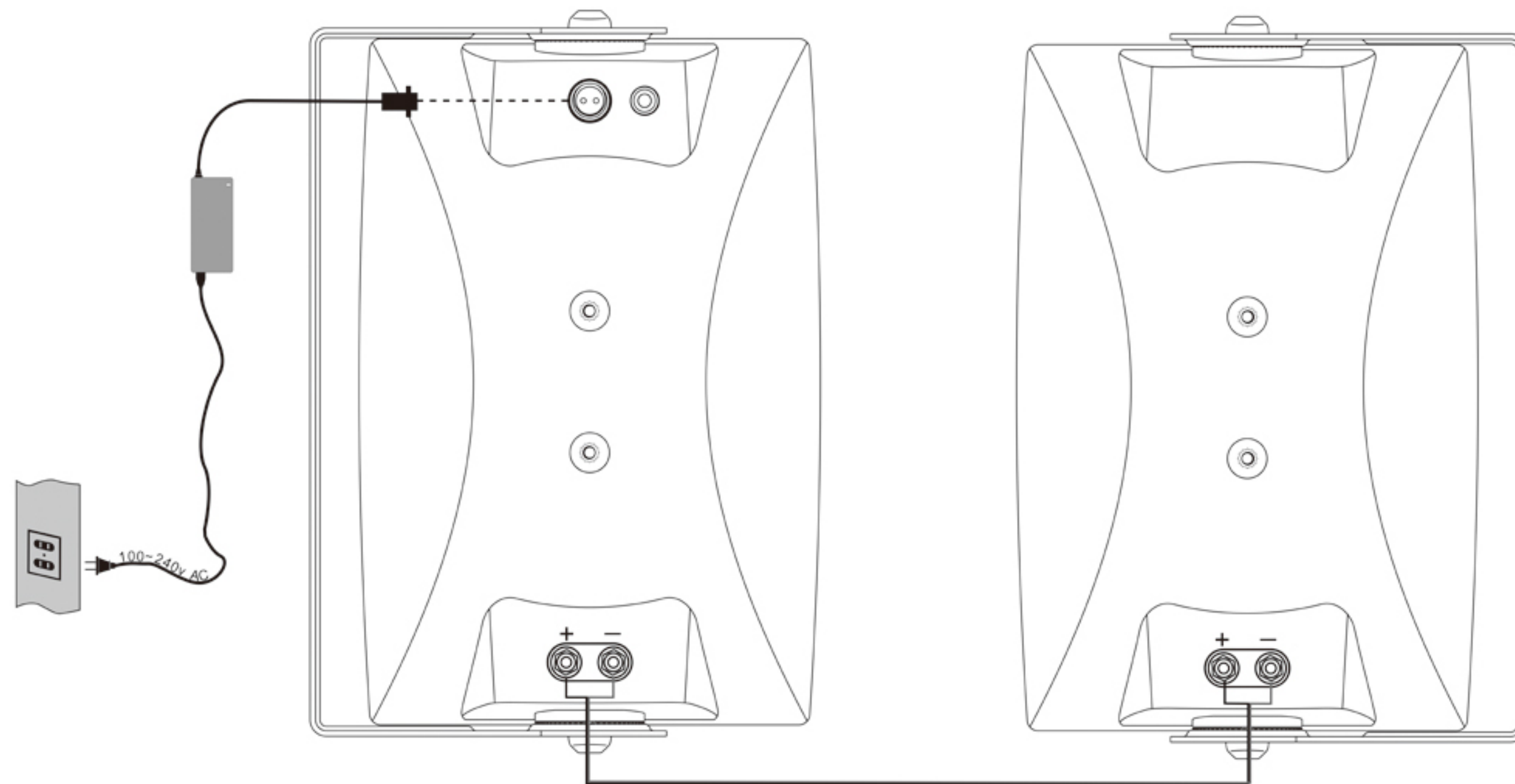
15' Speaker Wire

Layout Overview



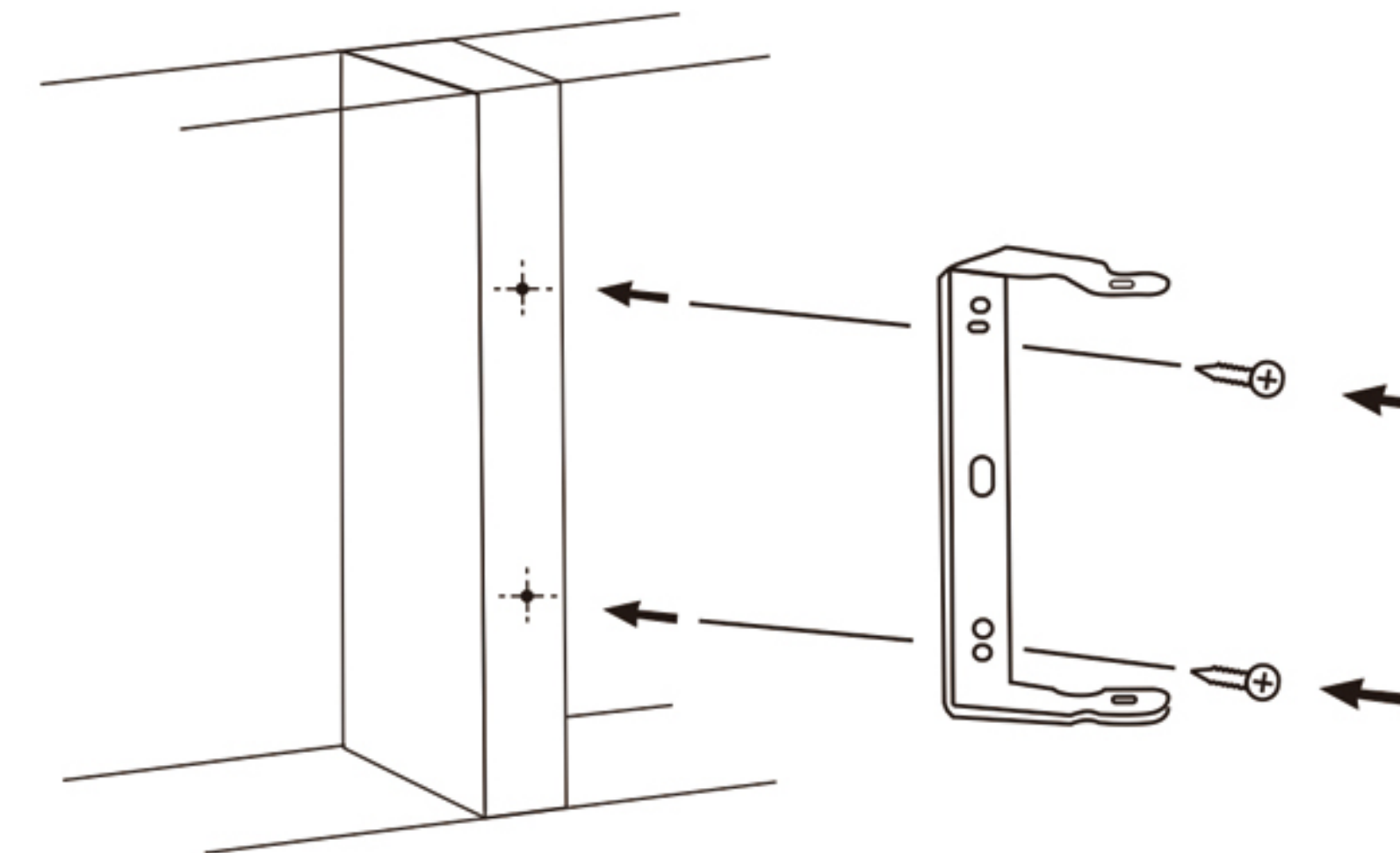
1. Bluetooth LED
2. Tweeter
3. Bass Enhancing Sound Port
4. Woofer
5. 180° Mounting Bracket
6. Power Adapter Connector
7. Bluetooth Pairing/Reset Button
8. Mounting Threads
9. Speaker Wire Connector
10. Bracket End Caps

Connection

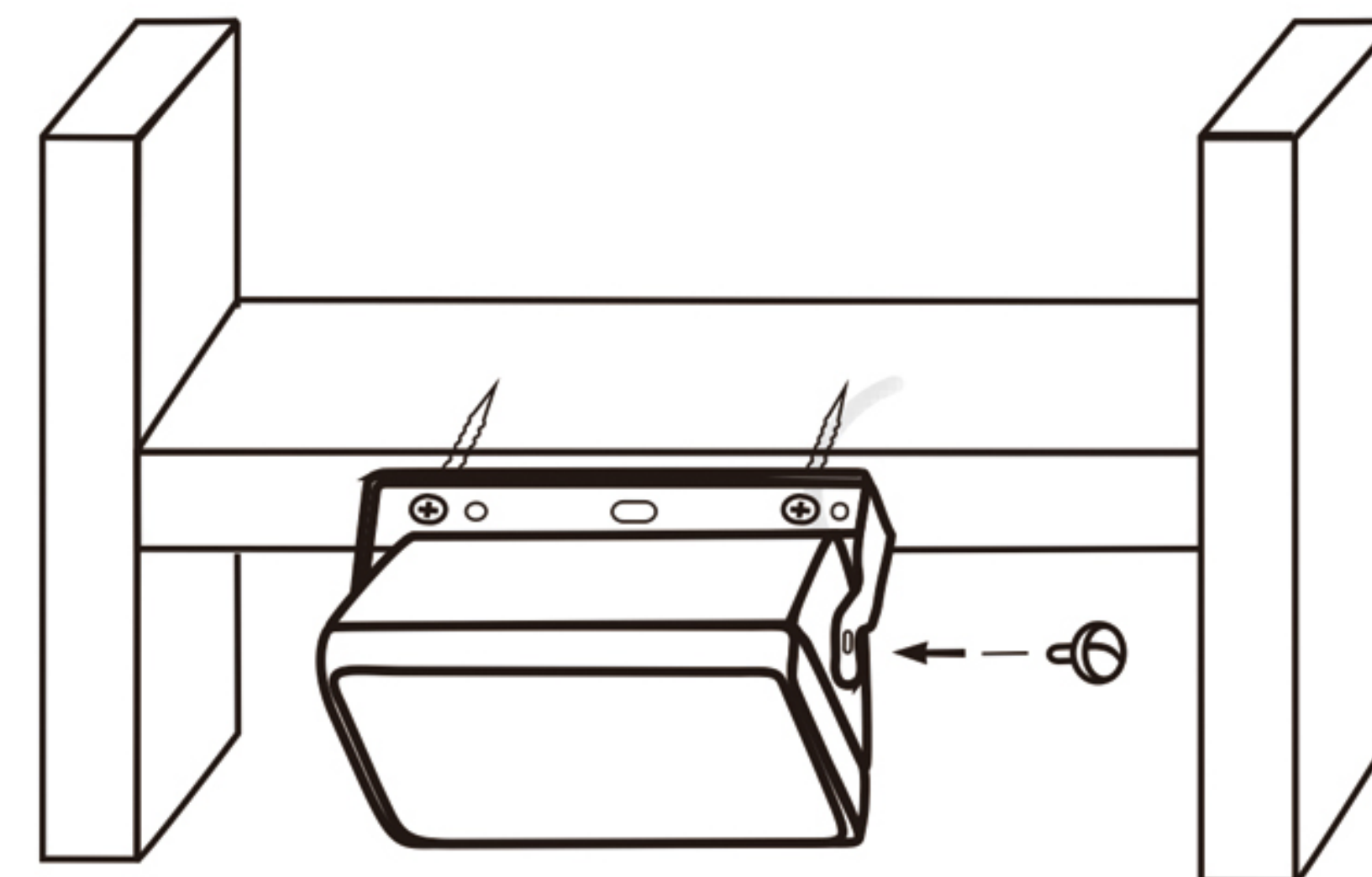


Mounting/Installation Instruction:

1. First determine the locations where the main and pairing speaker will be installed.
 - a. The main speaker should be installed near a suitable power source.
 - b. The pairing speaker should be installed at least 5 feet apart but at most 15 feet from the main speaker (with the included speaker wire). If further apart, you need to purchase an additional speaker wire cable, ideally in thicker gauge (14AWG or higher). Pairing speaker performance may decline over long distance, especially when using low-quality speaker wire.



2. Remove the brackets from the speakers by simply unscrewing the end caps. Secure the brackets to the desired locations with the appropriate mounting screws/anchors. Please ensure the appropriate screws/anchors match with the material of the mounting location and can safely support the weight of the speaker.



3. Once the bracket is securely mounted, attach and install the speakers by screwing back the end caps. Be sure to adjust the desired angle before tightening the end caps.



4. Alternatively, the speaker may be installed directly (without the brackets) with common 3rd party speaker mounts by using the embedded mounting thread on the back of the speakers.
5. Connect power adapter to the main speaker. Ensure the connector is screwed in tightly to prevent potential water damage.
6. Plug in power adapter to an electrical outlet. If the outlet is outdoor, please ensure the connection is covered during use or the adapter is unplugged when not in use.
7. Connect the speaker wire from the main speaker to the pairing speaker. Ensure the polarity (Red +/Black -) of the wire matches on both ends.

Please note the speakers are water/weather-resistant but not water-proof. They are not designed to be submerged in water. The front of the speaker should be pointed at least 5° downward to minimize water pooling on drivers and entering the sound port. To maximize longevity, the speakers are best installed under an overhang (or patio, beam, awning, etc.) During periods of prolonged inactivity and/or extreme weather, we recommend removing the speakers from the brackets and storing them in a safe indoor space.



Bluetooth Pairing Instruction

1. After initially turning on the speaker, you will hear a single bleep and the LED will flash red and blue. The speaker is in now discovery mode.
2. On any Bluetooth-enabled device (ie. smartphone, tablet, laptop, etc.), go to its Bluetooth setting and look for a device named "TIC BPS6" and connect.
3. The device should then be paired within 10 seconds. Once paired, you will hear a double bleep and the LED will now be solid blue.
4. Once a device is paired, the speaker should automatically reconnect any disconnected device within distance.

Troubleshoot

- If a disconnected device does not connect automatically, try pairing again.
- You can disconnect any connected paired device by holding the "reset" button for 3 seconds.
- You can clear all paired devices and return speaker to discovery mode by holding the "reset" button for more than 6 seconds.
- There is no volume control on the speaker itself. Volume can be adjusted on the connected Bluetooth device (or audio app).

Specification

Power Handling:	2 × 40W
Tweeter:	1" PET dome
Woofers:	6.5" injection molded PP cone with butyl rubber
Frequency Resp:	72Hz - 20kHz
Sensitivity:	86±3db
Bluetooth Ver:	4.2
Cabinetry Material:	Formulated ABS
Input:	DC19V 3.1A
Package Dimension:	18" x 15.6" x 10.3"

IMPORTANT SAFETY INSTRUCTIONS

1. Read these instructions.
2. Keep and follow all instructions.
3. Heed all warnings.
4. For indoor products, do not use this apparatus near water. For outdoor products, please do not expose apparatus to water longer than its intended time and level.
5. Clean only with a dry cloth.
6. Do not install this apparatus near any heat sources such as radiators, heat registers, stoves or other apparatus (including amplifiers) that produce heat.
7. Do not block any ventilation openings. Install this apparatus in accordance with the manufacturer's instructions.
8. Do not defeat the safety purpose of the polarized or grounding-type plug. A polarized plug has two blades with one wider than the other. A ground-type plug has two blades and a third grounding prong. The wide blade or the third prong is provided for your safety. If the provided plug does not fit into your outlet, consult an electrician for replacement of the obsolete outlet.
9. Protect the power cord from being walked on or pinched, particularly at plugs, convenience receptacles and the point where they exit from the apparatus.
10. Use only attachments and accessories specified by the manufacturer.
11. Unplug this apparatus during lightning storms or when unused for long periods of time.
12. Refer all servicing to qualified service personnel. Servicing is required when the apparatus has been damaged in any way, such as when the power supply cord or plug is damaged, liquid has been spilled or objects have fallen into the apparatus, or the apparatus had been exposed to rain or moisture, does not operate normally or has been dropped.
13. Do not expose this apparatus to dripping or splashing, and ensure that no objects filled with liquids, such as vases, are placed on the apparatus.
14. To disconnect this apparatus from the AC mains completely, disconnect the power supply cord plug from the AC receptacle.
15. The mains plug of the power supply cord shall remain readily operable.

CAUTION

Risk of Electric Shock. Do Not Open.



The lightning flash with an arrowhead symbol, within an equilateral triangle, is intended to alert the user to the presence of uninsulated "dangerous voltage" within the product's enclosure that may be of sufficient magnitude to constitute a risk of electric shock to persons.



The exclamation point within an equilateral triangle is intended to alert the user to the presence of important operating and maintenance (servicing) instructions in the literature accompanying the product.

SOUND WARNING

Avoid hearing damage by establishing safe listening volumes. Listening to this product at high volumes or for extended time periods may cause permanent hearing loss. Protect your hearing by establishing safe volumes. Start with the volume setting control at its lowest setting. Slowly increase the volume until you can hear it comfortably and clearly without distortion. Reduce the volume or stop listening if you experience ringing in your ears or any discomfort. Consult with a physician if needed.

FCC WARNING

This device complies with Part 15 of the FCC Rules. Operation is subject to the following two conditions

- (1) this device may not cause harmful interference, and
- (2) this device must accept any interference received, including interference that may cause undesired operation. Changes or modifications not expressly approved by the party responsible for compliance could void the user's authority to operate the equipment.

Note 1:

This equipment has been tested and found to comply with the limits for a Class B digital device, pursuant to part 15 of the FCC Rules. These limits are designed to provide reasonable protection against harmful interference in a residential installation. This equipment generates, uses and can radiate radio frequency energy and, if not installed and used in accordance with the instructions, may cause harmful interference to radio communications. However, there is no guarantee that interference will not occur in a particular installation. If this equipment does cause harmful interference to radio or television reception, which can be determined by turning the equipment off and on, the user is encouraged to try to correct the interference by one or more of the following measures:

- Reorient or relocate the receiving antenna.
- Increase the separation between the equipment and receiver.
- Connect the equipment into an outlet on a circuit different from that to which the receiver is connected.
- Consult the dealer or an experienced radio/TV technician for help.

Note 2:

1. Changes or modifications to this unit not expressly approved by the party responsible for compliance could void the user's authority to operate the equipment.
2. This equipment should be installed and operated with a minimum distance of 20 cm between the device and your body.