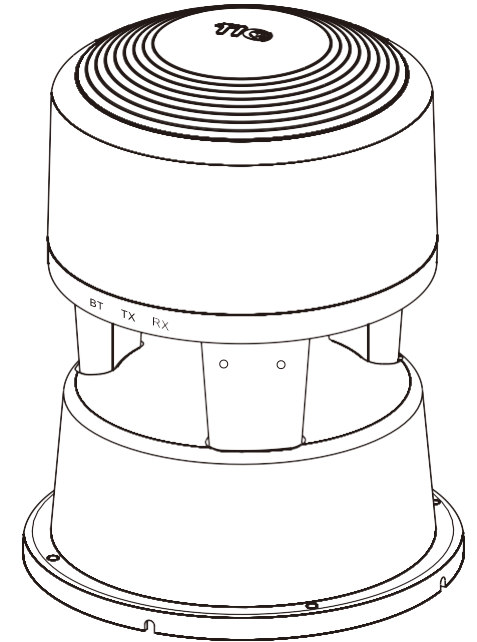




B503

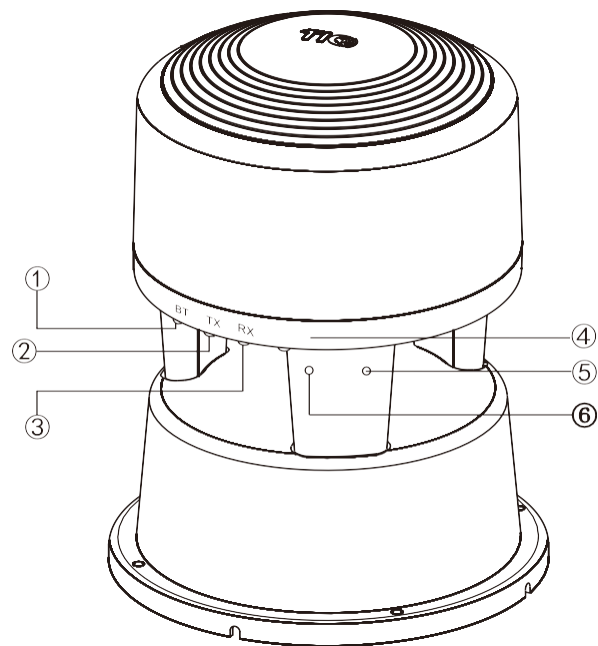
Outdoor Omnidirectional
In-Ground/Surface-Mount
Bluetooth® 5 Speaker

Instruction Manual



www.ticcorp.com

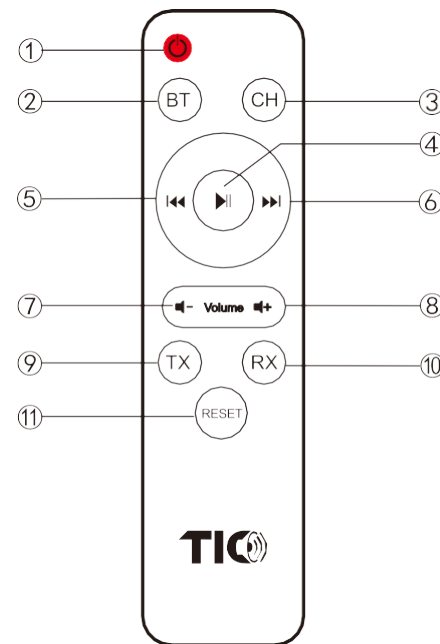
Speaker Layout



- ① Bluetooth Button (BT)
- ② Transmitter Mode Button (TX)
- ③ Receiver Mode Button (RX)
- ④ Power Button
- ⑤ IR Remote Receiver Node
- Ⓐ Bluetooth Indicator LED (Blue)

1

Remote Control



- ① Power Button
- ② Bluetooth Button
- ③ Channel Button (press to switch between stereo, left channel, and right channel)
- ④ Play/ Pause
- ⑤ Previous Track
- Ⓐ Next Track
- ⑦ Decrease Volume
- ⑧ Increase Volume
- ⑨ Transmitter Mode
- ⑩ Receiver ModeReset Button

2

⑪

In the following instructional sections, when instructed to press a specific button, you can either aim the remote at the speaker and press the button or press the respective button on the device itself if it is available. Not every button is available on the actual speaker. Please note the position of the IR receiving node on the speaker when aiming the remote. The performance of the remote may degrade if the remote is not aiming directly at the node or if strong sunlight is interfering with the signal. The typical range of the remote is 30 feet. You may need to move closer if the signal is not receiving properly.

A single remote can control any compatible TIC speaker/device. Aim remote carefully if multiple speakers are placed in close proximity. Volume can be individually customized for each speaker via the remote. When the volume is adjusted on the connected Bluetooth device or music/video application, it will be applied to all speakers.

During broadcast mode, track control will only work when aiming at the main device. You can alternatively control the track directly on your Bluetooth device or music/video application.

Bluetooth Device Pairing

1. Upon initially powering up, you should hear an opening tone. The blue LED light will be flashing slowly, indicating it is in standby mode. If the blue LED is solid, a Bluetooth device is already connected.
2. To pair a Bluetooth device (smartphone, tablet, computer, transmitter, etc.), double-click the Bluetooth (BT) button. You should hear the voice prompt “pairing”. The speaker is now in discovery mode.
3. In the Bluetooth setting menu of your Bluetooth device, search for TIC BT Speaker and connect. When you hear the voice prompt “connected”, the pairing process is completed. The blue LED is now solid.
4. To disconnect a connected Bluetooth device, double-click the Bluetooth button. The blue LED will be flashing again. You can then switch to another previously paired Bluetooth device by repeating step 3 on that device’s Bluetooth setting menu. To connect to a new Bluetooth device, repeat step 2 & 3.
5. If you want a full reset and delete all previous Bluetooth pairings, double click the Reset button.

Note: The speaker can remember multiple Bluetooth devices. Speaker will automatically reconnect to the most nearby paired device within range each time you turn it on. The connection range is up to 300 feet (outdoor with clear line of sight) for Bluetooth 5.0 devices. The speaker is backward compatible with devices with older Bluetooth specifications. However, the range will be limited to the range of the older specification (such as 20-50 feet for 4.0 devices).

Multi-Speaker Broadcast Mode

With broadcast mode, you can connect up to 100 compatible TIC Bluetooth 5 speakers/devices together to create a no-hassle multi-speaker sound system. In broadcast mode, one speaker will serve as the main transmitting device and all other speakers will serve as secondary receiving devices. The broadcast range is up to 300 feet in outdoor setting with clear line of sight. To optimize broadcast range in your multi-speaker sound system, we suggest choosing the most centralized speaker as the main transmitter device. In addition, elevating any device a few feet off ground level can maximize the broadcast transmitting/receiving range.

To set up broadcast mode

1. Select the appropriate speaker as the main speaker. While not required, we recommend pairing the Bluetooth device first before setting up the broadcast mode. Press the Transmitter Mode (TX) button. You should hear the voice prompt Transmitter Mode.
2. On a secondary speaker, press the Receiver Mode (RX) button. You should hear the voice prompt "Receiver Mode". If a speaker is already connected to a Bluetooth device (as indicated by a solid blue light), you will need to disconnect it first or the broadcast connection would not work in step 3.
3. Within 30 seconds, double-click TX button on the main unit and double-click RX button on the secondary unit. You should hear the voice prompt "searching" from both units. You will hear the voice prompt "connected" once the connection is completed.
4. If the connection is not made within 30 seconds, you may repeat step 1-3.
5. To add any additional secondary speaker, repeat step 2 and 3. Up to 100 devices can be added together.

To exit broadcast mode

Press the Reset (or Bluetooth) button once to exit broadcast mode. If pressed on the main unit, it will stop the main speaker from broadcasting to all secondary speakers. If pressed on a secondary speaker, this specific secondary speaker will stop receiving and be allowed to connect to and play from a separately paired Bluetooth device.

To restart/rejoin broadcast mode

For the main unit, press TX button to restart broadcast mode. You should hear the voice prompt "transmitter mode". Broadcast mode will then resume shortly for all speakers (assuming secondary speakers are still in receiver mode). For any secondary unit, first disconnect any connected Bluetooth device by double-clicking the Bluetooth (BT) button. Press the RX button to resume receiving from the previously connected main speaker. You should hear the voice prompt "receiver mode" and broadcast mode will resume shortly.

To switch main speaker

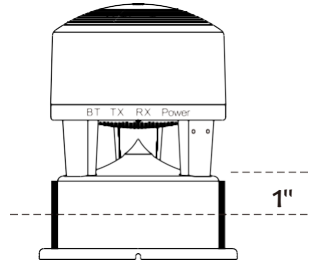
Exit broadcast mode for each speaker and redo the broadcast mode set up instructed in the previous page. Please remember to disconnect the Bluetooth device from the original main speaker before switching it to receiver mode.

Troubleshooting

Issue	Suggestion
No sound is heard.	<ol style="list-style-type: none"> 1) Check power connection. If there is no flashing or solid blue LED, the speaker is not turned on. 2) Make sure the correct Bluetooth device is connected. If needed, double-click BT button to disconnect and then reconnect from the Bluetooth device. 3) Increase volume level using the remote. 4) Check volume level on Bluetooth device and make sure no mute function is activated. 5) If no sound is heard from all previously connected secondary speakers, reactivate Transmitter Mode by pressing TX button once on main unit. 6) If no sound is heard from specific previously connected secondary speaker, reactivate Receiver Mode by pressing RX button once on the impacted unit.
Sound/connection is intermittent.	<ol style="list-style-type: none"> 1) Keep Bluetooth device (smartphone, tablet, etc.) at a stationary location. Signal can easily become unstable if the Bluetooth device is moving (I.E: inside a pocket while walking). 2) Move Bluetooth device closer to main unit. 3) Disconnect and reconnect Bluetooth device. 4) Move away from (or remove) any nearby electronic device that may present signal interference (I.E: router, microwave, TV, etc.) 5) You may improve signal connection by slightly elevating the speaker. 6) If intermittent sound only impacts specific secondary speaker, move that speaker closer to main unit.
Speaker not responding to remote.	<ol style="list-style-type: none"> 1) Check remote battery. 2) Find IR node on speaker and aim remote directly. 3) Move remote closer to speaker before aiming. 4) Provide shielding if direct sunlight is hitting on the path of the infrared signal.
Cannot setting up broadcast mode	<ol style="list-style-type: none"> 1) Make sure no Bluetooth device is connected except to the main unit. You can disconnect any connected device by double-clicking the BT button on any secondary speaker. 2) First activate the respective broadcast mode by pressing the TX/RX button only once before double-clicking the TX/RX button to initiate broadcast connection. 3) Move secondary speaker closer to main unit during set up. 4) Make sure to initiate the connection setup within the 30-seconds window. Ask a second person to help press the TX/RX buttons simultaneously.
Remote is lost	<ol style="list-style-type: none"> 1) Use another remote if you have purchased multiple TIC Bluetooth 5 speakers/devices. 2) Replacement remotes can be purchased on our website.

Installation/Maintenance Note

- The B series speaker can be installed in-ground or surface-mounted. In-ground installation is generally optimal since burying speaker in-ground will enhance its resonance, providing a fuller audio experience. When mounted on a surface, please ensure the wiring is safely secured and does not become a tripping hazard. The optimal burial depth is 1 inch exposure from ground level for the bottom section.
- System should be fully tested above surface before speakers and wires are buried.
- To clean speaker, you can rinse with fresh water from directly above the speaker and wipe with a cloth. If needed use mild detergent to remove dirt.



Caution

Risk of Electric Shock. Do Not Open.



The lightning flash with an arrowhead symbol, within an equilateral triangle, is intended to alert the user to the presence of uninsulated dangerous voltage with the product's enclosure that may be of sufficient magnitude to constitute a risk of electric shock to persons.



The exclamation point within an equilateral triangle is intended to alert the user to the presence of important operating and maintenance (servicing) instructions in the literature accompanying the product.

FCC Warning

This device complies with Part 15 of the FCC Rules. Operation is subject to the following two conditions

- (1) this device may not cause harmful interference, and
- (2) this device must accept any interference received, including interference that may cause undesired operation. Changes or modifications not expressly approved by the party responsible for compliance could void the user's authority to operate the equipment.

Note 1:

This equipment has been tested and found to comply with the limits for a Class B digital device, pursuant to part 15 of the FCC Rules. These limits are designed to provide reasonable protection against harmful interference in a residential installation. This equipment generates, uses and can radiate radio frequency energy and, if not installed and used in accordance with the instructions, may cause harmful interference to radio communications. However, there is no guarantee that interference will not occur in a particular installation. If this equipment does cause harmful interference to radio or television reception, which can be determined by turning the equipment off and on, the user is encouraged to try to correct the interference by one or more of the following measures:

- Reorient or relocate the receiving antenna.
- Increase the separation between the equipment and receiver.
- Connect the equipment into an outlet on a circuit different from that to which the receiver is connected.
- Consult the dealer or an experienced radio/TV technician for help.

Note 2:

1. Changes or modifications to this unit not expressly approved by the party responsible for compliance could void the user's authority to operate the equipment.
2. This equipment should be installed and operated with a minimum distance of 20 cm between the device and your body.

Sound Warning

Avoid hearing damage by establishing safe listening volumes. Listening to this product at high volumes or for extended time periods may cause permanent hearing loss. Protect your hearing by establishing safe volumes. Start with the volume setting control at its lowest setting. Slowly increase the volume until you can hear it comfortably and clearly without distortion. Reduce the volume or stop listening if you experience ringing in your ears or any discomfort. Consult with a physician if needed.

Warranty

TIC offers a limited one-year full parts and labor warranty for all of our new products. Please visit TIC's warranty page (<http://www.ticcorp.com/warranty/>) for detail to our latest warranty policy

Licensing, Copyright & Misc. Notice

The Bluetooth word mark and logos are registered trademarks owned by the Bluetooth SIG, Inc. and any use of such marks by TIC is under license. Other trademarks and trade names are those of their respective owners.

TIC Audio Inc. All rights reserved. The TIC logo is a trademark of TIC Audio Inc, registered in the United States. Features, specifications, and appearance are subject to change without notice.

If you have any further question/issue, please visit our support help desk at www.ticcorp.com/support. You can easily log a ticket online. Our helpful associate will typically respond within one business day, if not on the same day.