

PROPRIETARY AND CONFIDENTIAL
 THE INFORMATION CONTAINED IN THIS
 DRAWING IS THE SOLE PROPERTY OF
 PRACTIX MFG. LLC. ANY REPRODUCTION
 IN PART OR AS A WHOLE
 WITHOUT THE WRITTEN PERMISSION OF
 PRACTIX MFG. LLC IS PROHIBITED.

UNLESS OTHERWISE SPECIFIED:
 DIMENSIONS ARE IN INCHES
 TOLERANCES:
 FRACTIONAL $\pm 5^\circ$
 0.XX ± 0.01 0.XXX ± 0.005

MATERIAL

FINISH

DRAWN BY: RP DATE:

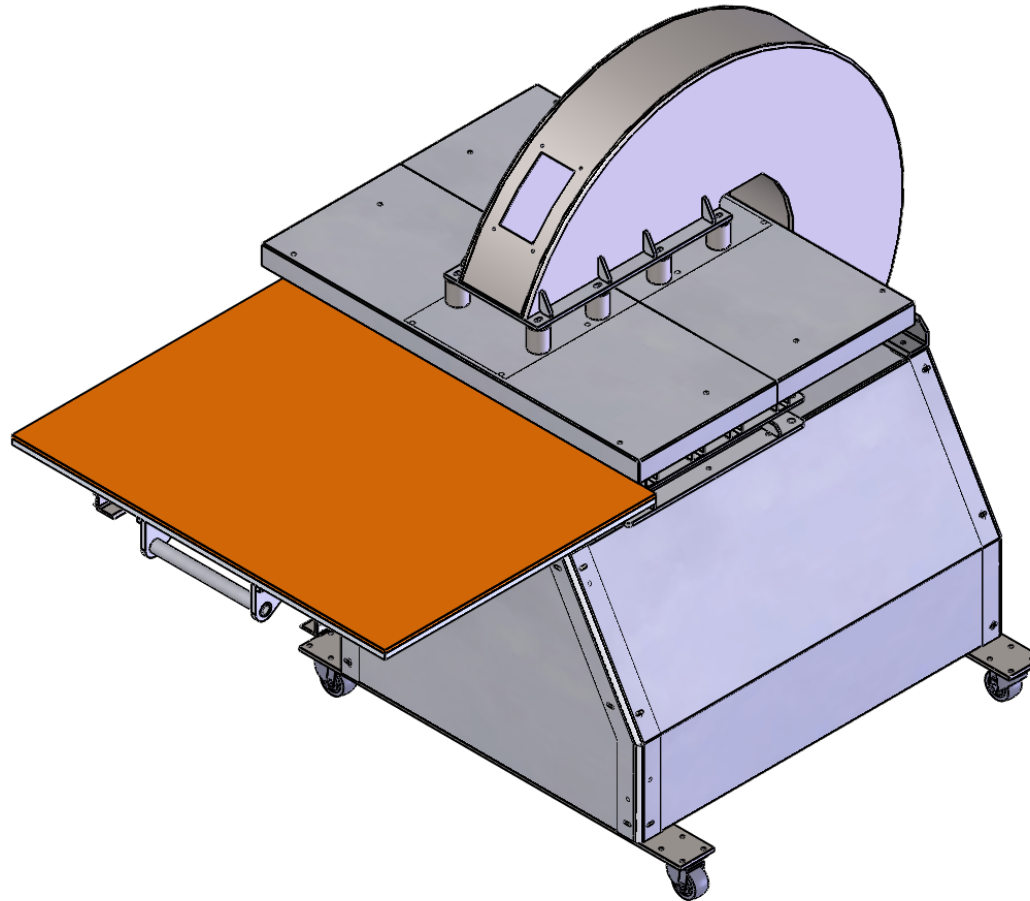
PIECES REQUIRED:

TITLE:

BOTTOM PLATE IN - ISO

SIZE	DWG. NO.	REV
A	ok-160 32x44 dims	

SCALE: 1:32	WEIGHT:	SHEET 1 OF 4
-------------	---------	--------------



**PRACTIX
MFG. - U.S.A.**

MATERIAL

PIECES REQUIRED:

TITLE:

BOTTOM PLATE OUT - ISO

PROPRIETARY AND CONFIDENTIAL
THE INFORMATION CONTAINED IN THIS
DRAWING IS THE SOLE PROPERTY OF
PRACTIX MFG. LLC. ANY REPRODUCTION
IN PART OR AS A WHOLE
WITHOUT THE WRITTEN PERMISSION OF
PRACTIX MFG. LLC IS PROHIBITED.

UNLESS OTHERWISE SPECIFIED:
DIMENSIONS ARE IN INCHES

TOLERANCES:
FRACTIONAL $\pm 5^\circ$
0.XX ± 0.01 0.XXX ± 0.005

FINISH

SIZE
A

DWG. NO.
ok-160 32x44 dims

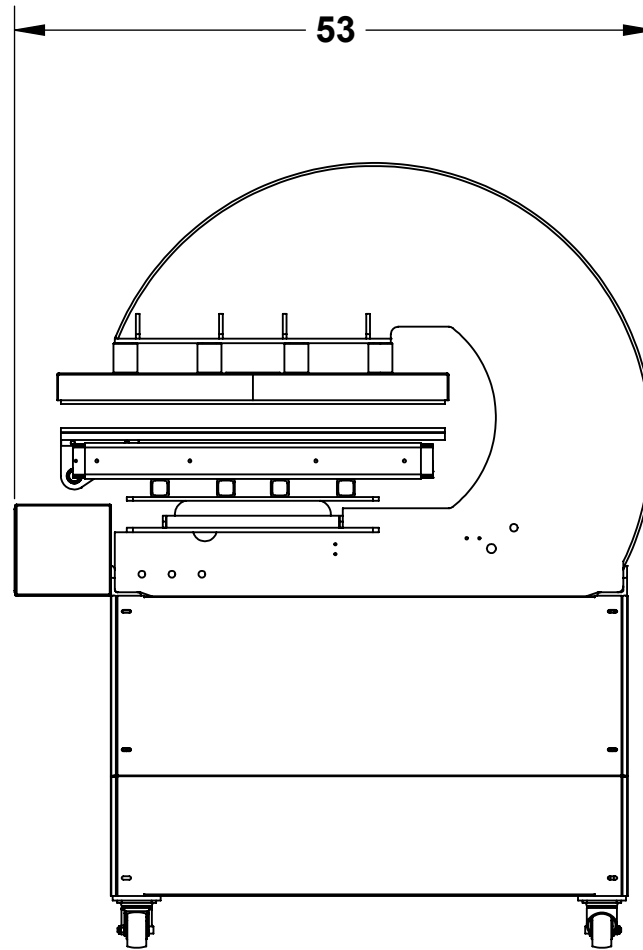
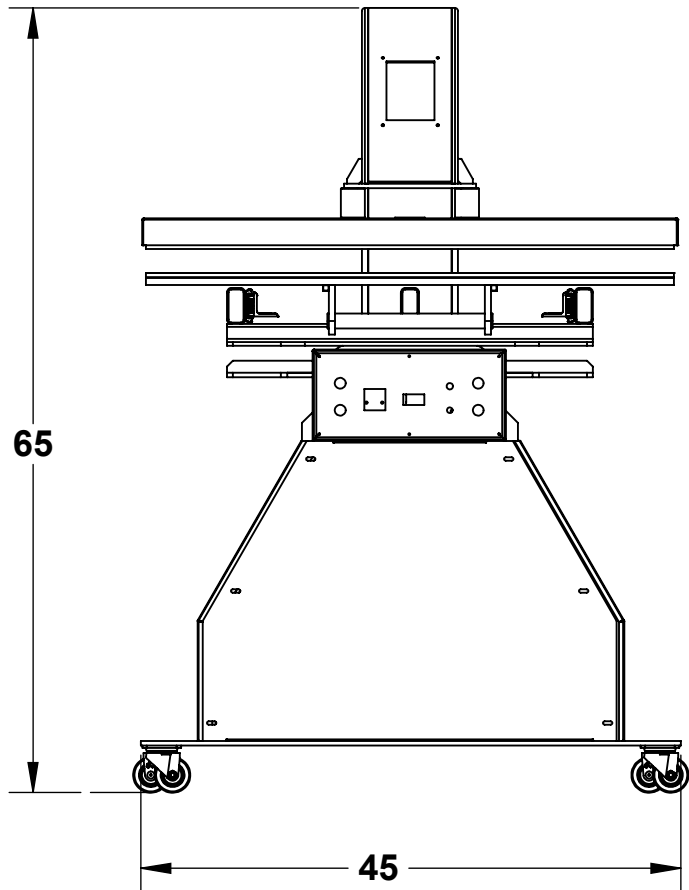
REV

DRAWN BY: RP DATE:

SCALE: 1:32

WEIGHT:

SHEET 2 OF 4



PRACTIX
MFG. - U.S.A.

PROPRIETARY AND CONFIDENTIAL
THE INFORMATION CONTAINED IN THIS
DRAWING IS THE SOLE PROPERTY OF
PRACTIX MFG. LLC. ANY REPRODUCTION
IN PART OR AS A WHOLE
WITHOUT THE WRITTEN PERMISSION OF
PRACTIX MFG. LLC IS PROHIBITED.

UNLESS OTHERWISE SPECIFIED:
DIMENSIONS ARE IN INCHES

TOLERANCES:
FRACTIONAL $\pm 5^\circ$
0.XX ± 0.01 0.XXX ± 0.005

MATERIAL

FINISH

DRAWN BY: RP DATE:

PIECES REQUIRED:

TITLE:

BOTTOM PLATE IN

SIZE
A

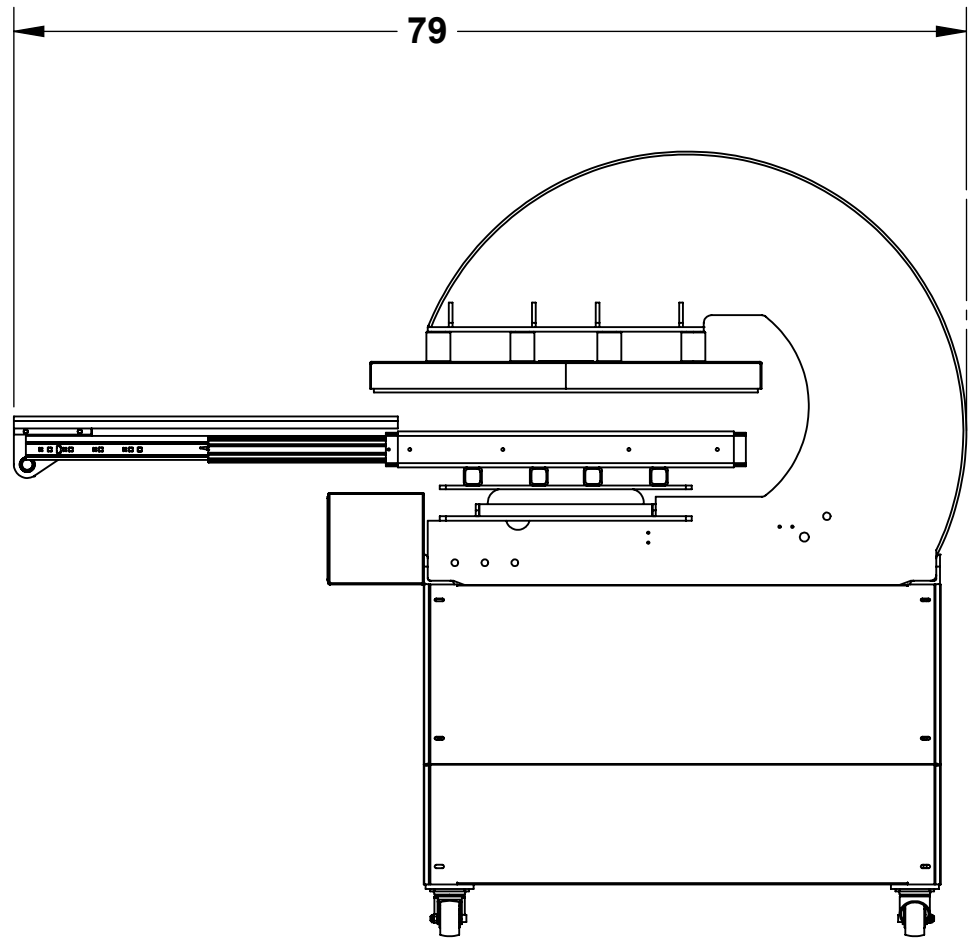
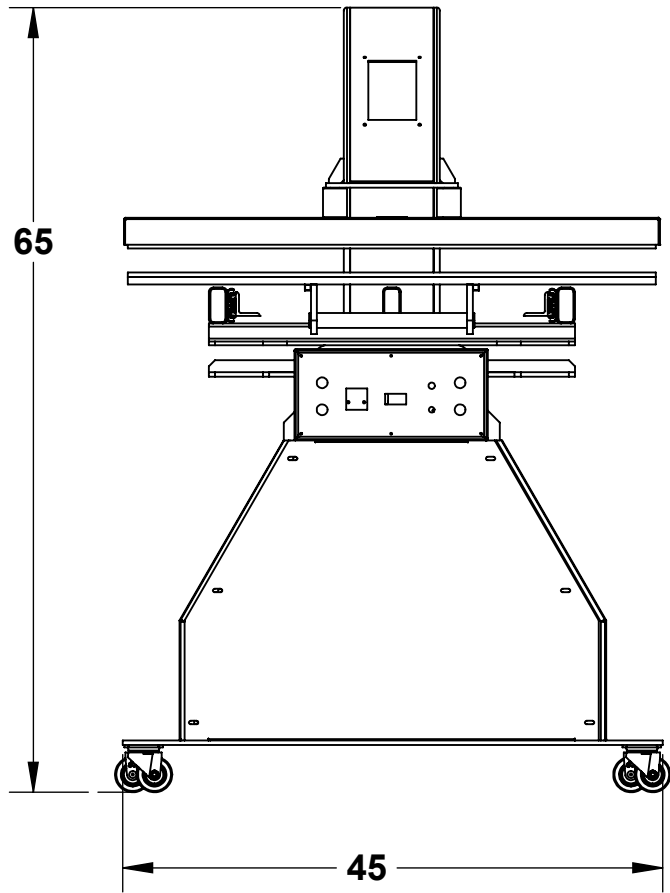
DWG. NO.
ok-160 32x44 dims

REV

SCALE: 1:32

WEIGHT:

SHEET 3 OF 4



PRACTIX
MFG. - U.S.A.

PROPRIETARY AND CONFIDENTIAL
THE INFORMATION CONTAINED IN THIS
DRAWING IS THE SOLE PROPERTY OF
PRACTIX MFG. LLC. ANY REPRODUCTION
IN PART OR AS A WHOLE
WITHOUT THE WRITTEN PERMISSION OF
PRACTIX MFG. LLC IS PROHIBITED.

UNLESS OTHERWISE SPECIFIED:
DIMENSIONS ARE IN INCHES

TOLERANCES:
FRACTIONAL $\pm 5^\circ$
0.XX ± 0.01 0.XXX ± 0.005

MATERIAL

FINISH

DRAWN BY: RP DATE:

PIECES REQUIRED:

TITLE:

BOTTOM PLATE OUT

SIZE
A

DWG. NO.
ok-160 32x44 dims

REV

SCALE: 1:32

WEIGHT:

SHEET 4 OF 4