

## User Manual



For Maintenance &  
Troubleshooting Videos



Looking for  
Tech Support? Join Slack!



# Table of Contents

I. Safety instructions for use .....	2-3
II. Installation schematic .....	3
III. Equipment operation procedures .....	4-7
IV. Winding method .....	8
V. Maintenance .....	9

# I. Safety instructions for use.

## 1. Safety signs

Dear users.

Hello! Thank you for using the product, in order for you to better read this manual and use the product, the following is our first manual appears in the symbols of the explanation of the symbols.



CAUTION

Anything with this symbol is the part that the user must pay serious attention to, otherwise it will cause damage to the product or cause other losses due to improper operation.

---

## 2. Product description:

This machine is a high-power, high-temperature equipment, Users are requested to provide industrial electricity and places that are suitable for this device. where the location of the posted high-temperature signs are prohibited to touch with your hands to avoid burns. Please understand the parameters of the machine before using the machine to prepare for operation.

Shaking powder solid color machine ZH425A parameters :

Rated voltage: 220V Rated current: 16A Rated power: 3.5KW

Energy consumption: 2.5KW-3.5KW Equipment net weight: 170kg

Equipment gross weight: 220kg

Equipment size: 1620mmX872mmX992mm

Wooden box size: 1420mmX1130mmX1113mm

### 3. Note before starting the machine.



**CAUTION**

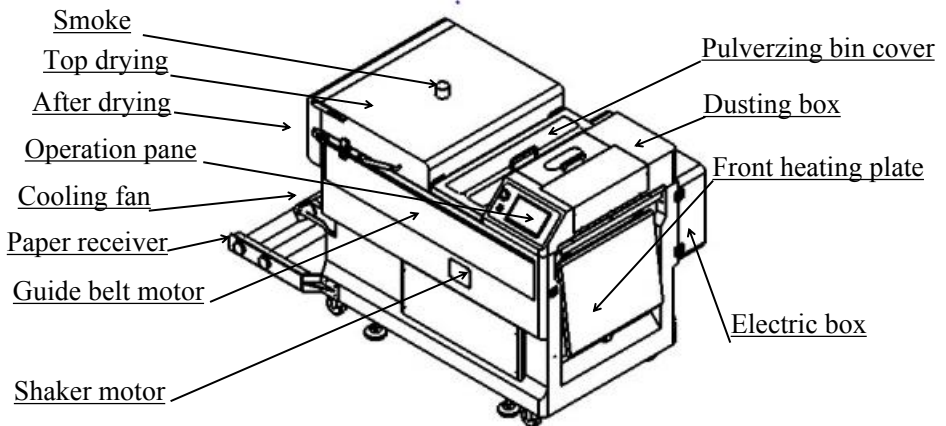
1. Electricity is dangerous! Before starting the machine must be connected to the ground, otherwise it may cause serious personal injury.

2. Access to the power supply and the machine must match the power supply, access to the wire diameter must meet the rated requirements. Meet the rated requirements.

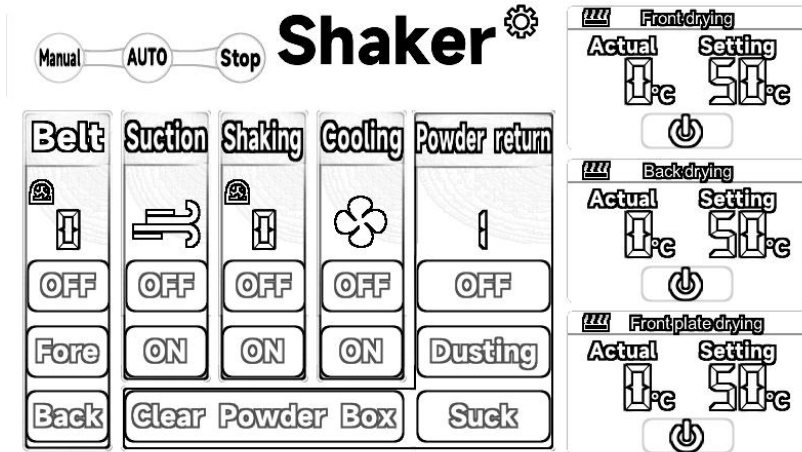
3. Check whether the access to the power connection is standard, with special attention to: zero-fire wire access needs to be correct.

4. For those who are sensitive to static electricity, please pay attention to personal protective measures when operating the equipment.

## II. Installation diagram



### III. Equipment operation process.



Control panel schematic diagram

1. Confirm that the external power supply of the equipment is connected (AC220V50/60HZ).
2. Confirm that the ground wire is firmly connected.
3. Align the printer with the shaking powder machine before use (to reduce the problem of material receiving deviation when receiving material)
4. Fix the material on the material release device and put it into the printer for printing. Specific operation see "winding material way".
5. Turn on the control box "general power switch".
6. Function setting: Click on the screen to set the function, when you click on the "shaking powder speed value" will pop up to set the value interface, enter the value you want to set to set the speed of shaking powder, after inputting click on the confirmation will return to the main interface, so that the speed of spreading powder is set, the speed of the guide belt settings, the upper drying heating settings, the front

guide plate Heating settings and other speed and temperature settings are all such operations.

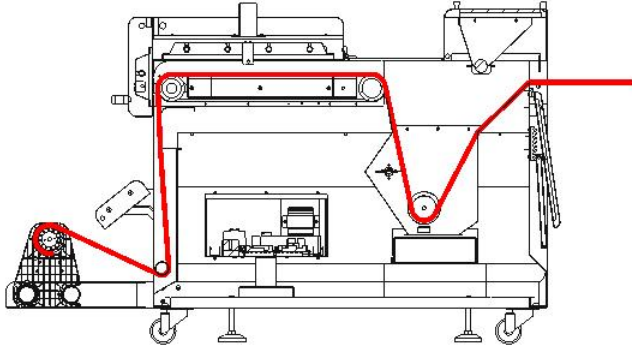
7. Shake powder function off and on settings: tap the screen "shake powder" under the "off" and "on" to close and open the function.
8. Automatic powder return function and opening settings.
  - (1) Automatic powder return gear: there are five gears from 1 to 5 to choose from, the default use of 3 gears can meet most of the printing speed, the higher the gear, the more powder under the automatic powder spreading.
  - (2) Powder return on/off key: open and close the automatic powder return function, when open the system comes with the whole machine linkage, when not walking film powder return function will be suspended.
  - (3) Manual powder spreading key: click to automatically turn on powder spreading once.
  - (4) Manual powder return key: the automatic powder return function will work for 60 seconds after clicking, during which it will be terminated immediately after clicking again.
  - (5) Clean up the powder box key: long press for 5 seconds to start the clean up function the lower powder box opening will open at a larger angle and vibrate strongly to shake down the powder inside, just put a carrying vessel below the lower powder box.
9. Belt guide function off and on setting: tap "off" "in" "back" under the screen belt guide to control the belt guide off and in/out conversion.
10. Front drying and heating function to close and open settings: tap the "power symbol" key on the drying and heating to close and open the heating. When the "power symbol" shows "red" in the closed state, tap the "power symbol" into the "green" When the heating is turned on. The back drying setting is the same as the front drying setting.
11. Front panel heating function off and on settings: Tap the "power

- symbol" key on the front panel heating to turn off and on the heating.  
When the "power symbol" shows "red" in the closed state, tap the "power symbol" into the 'green "When the heating is on.
12. Cooling fan function off and on settings: tap the screen "cooling fan" under the "off" and "on" to close and open the function.  
To turn the belt suction function off and on: tap "off" or "on" under "belt suction" on the screen to turn the function off and on.
13. The upper left corner of the screen "manual" function open, shaking powder machine will work according to the set parameters, not affected by the sensor has been working.  
"When there is no film, the guide belt will stop immediately, the powder and shaking powder will stop after 10 seconds, when there is a film, the shaking powder machine function works normally.  
When "stop" function is opened, powder spreading, powder shaking, guide belt will stop, other functions work normally, open "auto" will restore "auto" working state, open manual to restore "Manual" working state.
14. After adjusting the above functions can be shaking powder solid color work.
15. On the drying temperature setting: 100 °C - 170 °C (specific temperature according to the powder melting point to set)  
Drying temperature setting at the back: 90° C - 160° C 10° C lower than the front drying
16. The temperature of the leading heating plate is set to: 60°C - 80°C or so.
17. Close all "heating switch" after the material color fixing is completed.
18. Long press the gear symbol in the upper right corner to enter the English and Chinese settings, as well as time, screen calibration and other settings.

19. **Automatic insulation function**, effective protection film stays in the machine, the function does not need to be set, when the machine is turned on in automatic mode he will work, when the printer stops working 20 seconds later, the insulation function automatically turns on, automatically remain in the current setting of the temperature value reduced by 20 degrees, (such as the current use of temperature is 100 degrees, stop printing 20 seconds later will automatically remain at 80 degrees), re-open the printer The temperature will automatically return to the set value. Manual mode does not have this function.
20. Recommended settings: belt guide speed 30, shaking powder speed 15, powder spreading speed 10, on the drying temperature 110, after drying 110, the front guide plate 60, this is a reference value, Increase or decrease the value according to the actual situation



## IV. Material winding method.



1. Lead the material to be solidified to the bottom of the powder box into the shaking powder bar above and between the platform for solid color, and finally roll the solid color material into the receptacle barrel or through the guide belt and the guide belt suction will bring out the print screen for printing while planting cut.



Note: Make sure the solid color material is flat and wrinkle-free.

and the edges of the material are flush at the front and back of the machine.

## V. Maintenance:

1. maintenance or cleaning machine must be disconnected from the external power supply.
- 2: Clean the remaining powder in the wall of the shaking powder cavity after doing the goods every day.
- 3: Clean the shaking powder film.
- 4: Clean the remaining powder on the panel.
- 5: Sweep the powder on the positioning axis.
- 6: Control the electric box regularly cleaned to keep dry.
- 7: Powder box every day at the end of the day, the powder box to clean not stored powder, to prevent the powder moisture, you can use a clean powder box function, fast emptying the powder box, cleaning process can use soft hair sweep clean, clean remember to the filter also gently sweep, to prevent the filter long-term accumulation of powder, resulting in insufficient suction power.
- 8: For the 2 times added to the powder box, before using the powder should be sifted through a 60 mesh sieve to prevent the powder with other impurities into the picture affect the effect of the picture and stamping firmness.
- 9: shaking powder machine in the use of the shaking powder cavity cover closed, to prevent the powder when the powder fly into the guide belt, but also to reduce the voice.
- 10: When adding powder, pay attention to the action amplitude is not too large, to prevent the rubber powder fly to the guide belt, into the suction platform. The guide belt and the suction platform will remain on the table flat after the powder enters and bond with the guide belt, and the guide belt will stick to the suction platform after cooling, causing motor burnout or deformation of the guide belt.