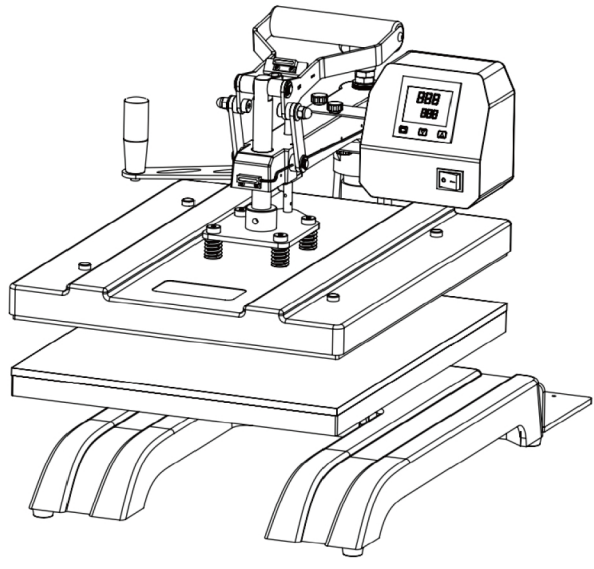


Operation Manual

(AA Prisma Swing Press)

Technical Parameters



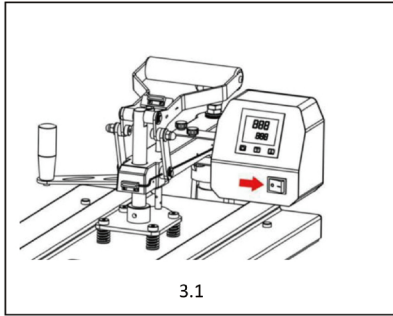
Model:	AA Prisma Swing Press
Heater Size:	16"×20"(406×508mm)
Power(120volt)	1800W/16.4Amps
Power(240volt)	1800W/8.2Amps
Temperature Range:	Max.221°C/430°F
Time Range:	0~999S
Machine Size:	64cm*43cm*53cm
Packing Size:	73cm*49cm*56cm
Packing Weight:	46Kg
Net weight:	42Kg
Certificate:	CE,FCC

Warranty Statement

aaprintsupplyco.com supports 5 years warranty on the upper heat platen, and 1 year on the rest parts.

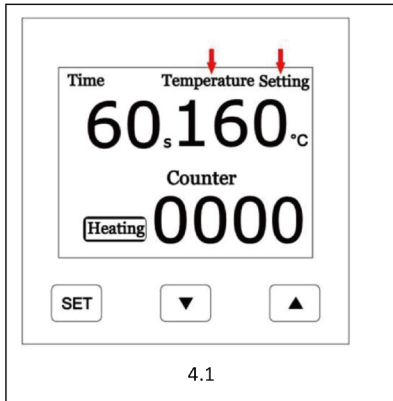
3.Turn On the System

3.1 Switch The System On(figure3.1)



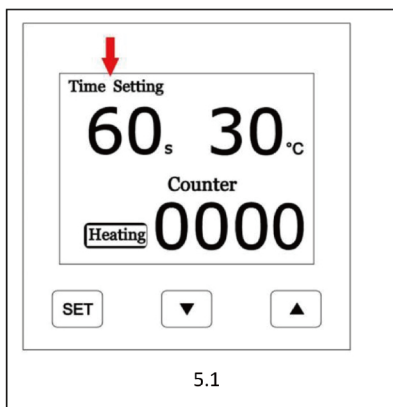
4.Adjusting the Temperature

4.1 Press the "set" button once time. "Temperature" lights and "Setting" lights will illuminate at same time, press the "up" and "down" button to set target start temperature (see figure 4.1)



5.Adjusting the Time

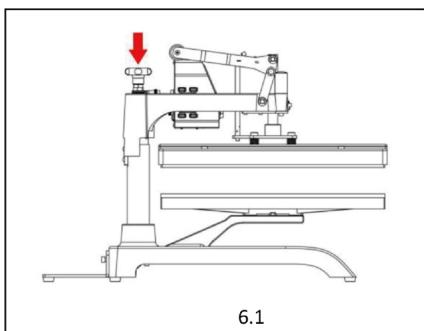
5.1 Once you have adjusted the temperature, press the "set" button again. "Time" lights located in the display will illuminate. (see figure 5.1)



5.2 Next, press the "up" and "down" button to set target printing time.The time setting range can be set from 0~999.

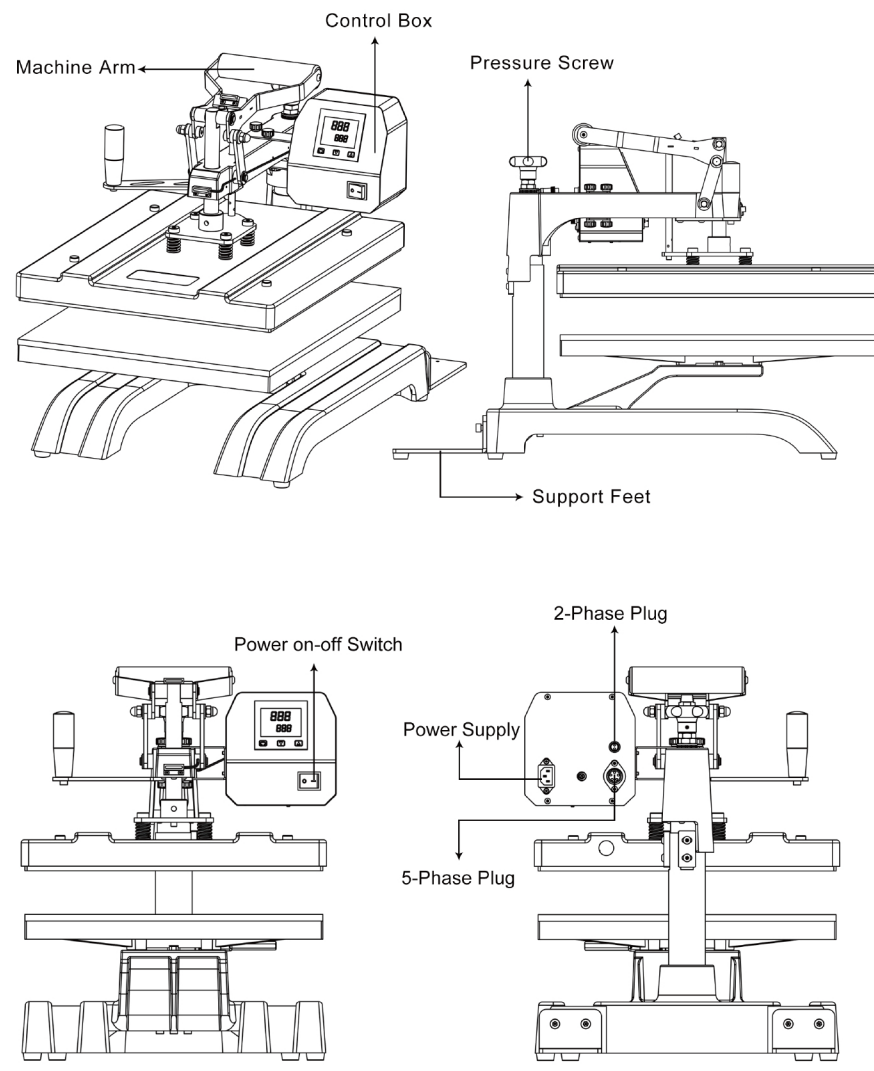
6.Adjusting the Pressure

6.1 The Pressure Adjustment Knob is located as picture.(See figure 6.1)

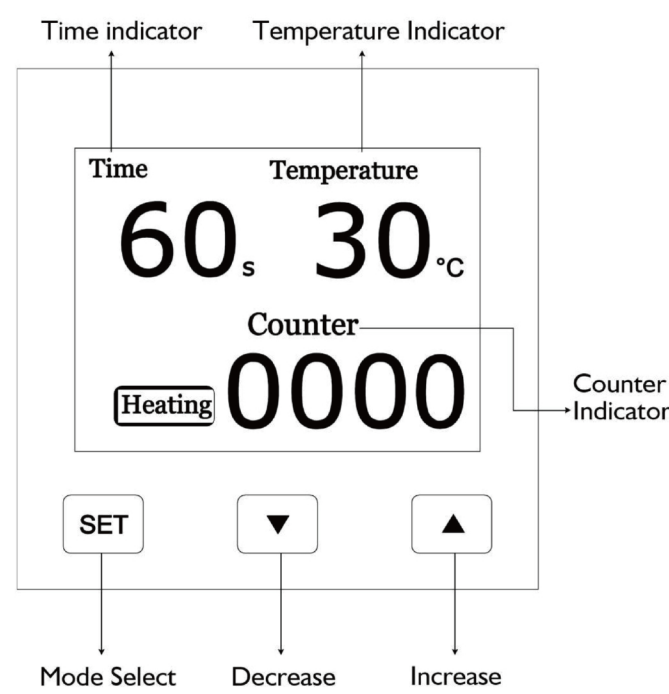


6.2 Adjust the pressure by turning the knob clockwise to increase pressure and counter clockwise to decrease pressure.

Machine View



Control Panel Guide



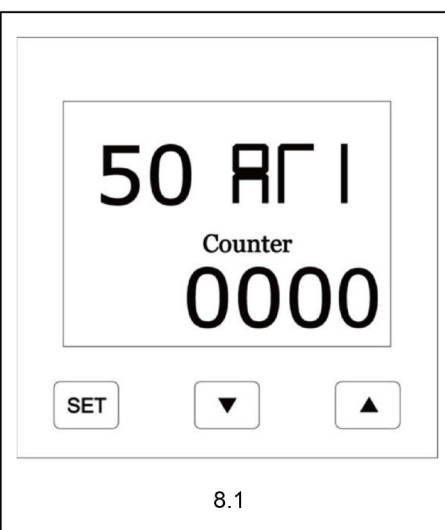
7.Printing And Pressing

- Once your equipment has reached the designated start temperature:
- Position mug and application and proceed to press.
- This procedure will start the automatic timing process.
- Please note machine will heat up from start temperature to printing temperature then time starts to count down.
- The timer will automatically count down to zero then circuit board will alarm when the press cycle is complete.
- The timer will automatically re-set and you are ready to continue with the next application.

8.Switch Between F/C

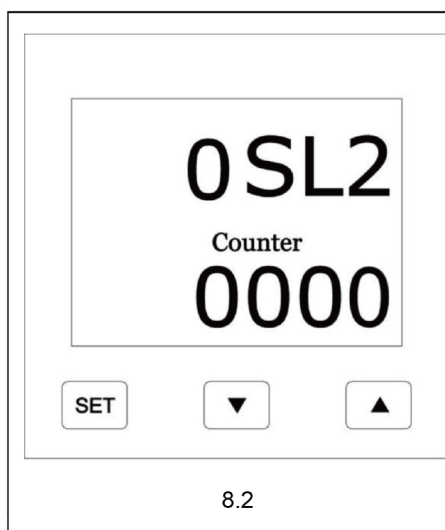
8.1 Press "set" button for 4 seconds to enter into second level menu.Display as below.(see figure 8.1)

8.3 Press up and down button to set value at 0 or 1, 0 for celsius, 1 for Fahrenheit.



8.2 Press "set" button to select "SL2" mode(See figure 8.2)

8.4 Press "set" button 4 seconds to quit.



9.Temperature Calibration

9.1 Press "set" button for 4 seconds to enter into second level menu.Display as below.(see figure 8.1)

9.3 press "up" and "down" button to make temperature calibration.

9.2 Press "set" button to select "Pb" mode (See figure 8.2)

9.4 Press "set" button 4 seconds to quit.

Operation Instructions

1. Assemble The Control Box

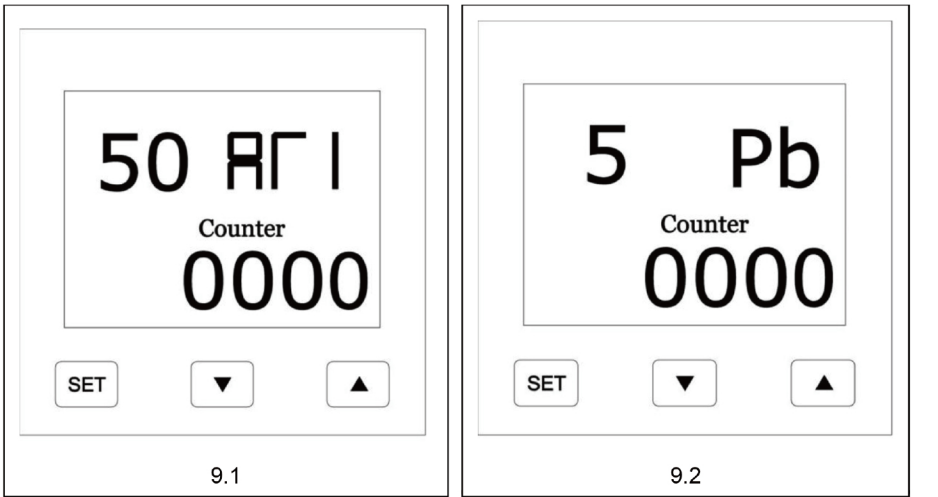
1.1 Take out control box from packing foam,put control box onto the machine arm.	1.2 Use 4 fast screw to fix the control box onto the machine arm.	1.3 Connecting 5-phase aviation plug.
1.4 Connecting 2-phase aviation plug.	1.5 Fix support feet onto the machine base.	1.6 Bind the power cord together with 5-phase aviation plug.

CAUTION:

- Support feet must be assembled onto the machine base,which can prevent machine from turning over once heat platen swing away (Fig 1.5) .
- Bind power cord together with 5-phase aviation plug with velcro tape,which can prevent power cord from touching heat platen during machine use. (Fig 1.6)

1.Connecting the System

2.1 Connect the power cord into a properly grounded electrical outlet with a sufficient amperage rating.	2.2 VOLTAGE 120 Volt - The AA Prisma Swing Press requires a full 20 amp grounded circuit for 120 volt operation.
2.3 EXTENSION CORDS If used, should be as short as possible and not less than 12 gauge.Heavy duty cords are recommended.	2.4 CIRCUITS that have less than 15 amps or that have other high demand equipment or appliances(especially more than one heat seal machine) plugged in, should not be used.
NOTE: If the supply cord is damaged, it must be replaced by the manufacturer, its service agent or a similarly qualified person in order to avoid hazard.	CAUTION : Failure to follow these instructions will cause: 1) Erratic controller functions. 2) Inaccurate displays and slow heat-up. 3) The circuit breaker to disengage.



if temperature on heater is higher than circuit board shows,pls raise the Pb value.
Example:
Heater temperature:190C
Circuit board temperature:185C
Pls set Pb Value at (+5)

If temperature on heater is lower than circuit board shows,pls reduce the Pb value.
Example:
Heater temperature:185C
Circuit board temperature:190C
Pls set Pb Value at (-5)

Electrical Schematic

