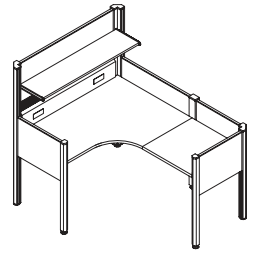




V2-SERIES

Corner cubicle 60"W x 48"D

Ready-to-Work
Office Cubicles



ASSEMBLY INSTRUCTION - 1 to 10

TOOLS needed: 1 philips screwdriver or 1 electric drill with philips bit
QUESTIONS: call 1-855-882-3905 or for more info visit www.cubeinabox.com

Tip for (10):
Use the **1/2" metal screws** to cap the A, B, C and D posts

Tip for (8a) (8b):
At first, slide down the 2 side parts(chrome wire)(8b) on posts, then adjust the shelf on top of the 4 black plastic supports and screw from underneath

Tip for (3):
The rail panel has to be installed facing up to allow trays to hang on it

Tip for (2a) (2b) (2c):
First, slide down the frame of the raceway in between posts A-A, and put (2b) in the middle of (2a), then place the two "cavaliers" (small plastic molded parts) used to hold the doors on each other side

Tip for (4) (5):
Slide panel cap (5) from side of panel (4) (1b) (1c), then slide down panel into post

Tip for (6):
Slide filer piece down into post




Tip for (9):
Use the **3/4" black wood screws** with an electric drill from underneath the worktop set

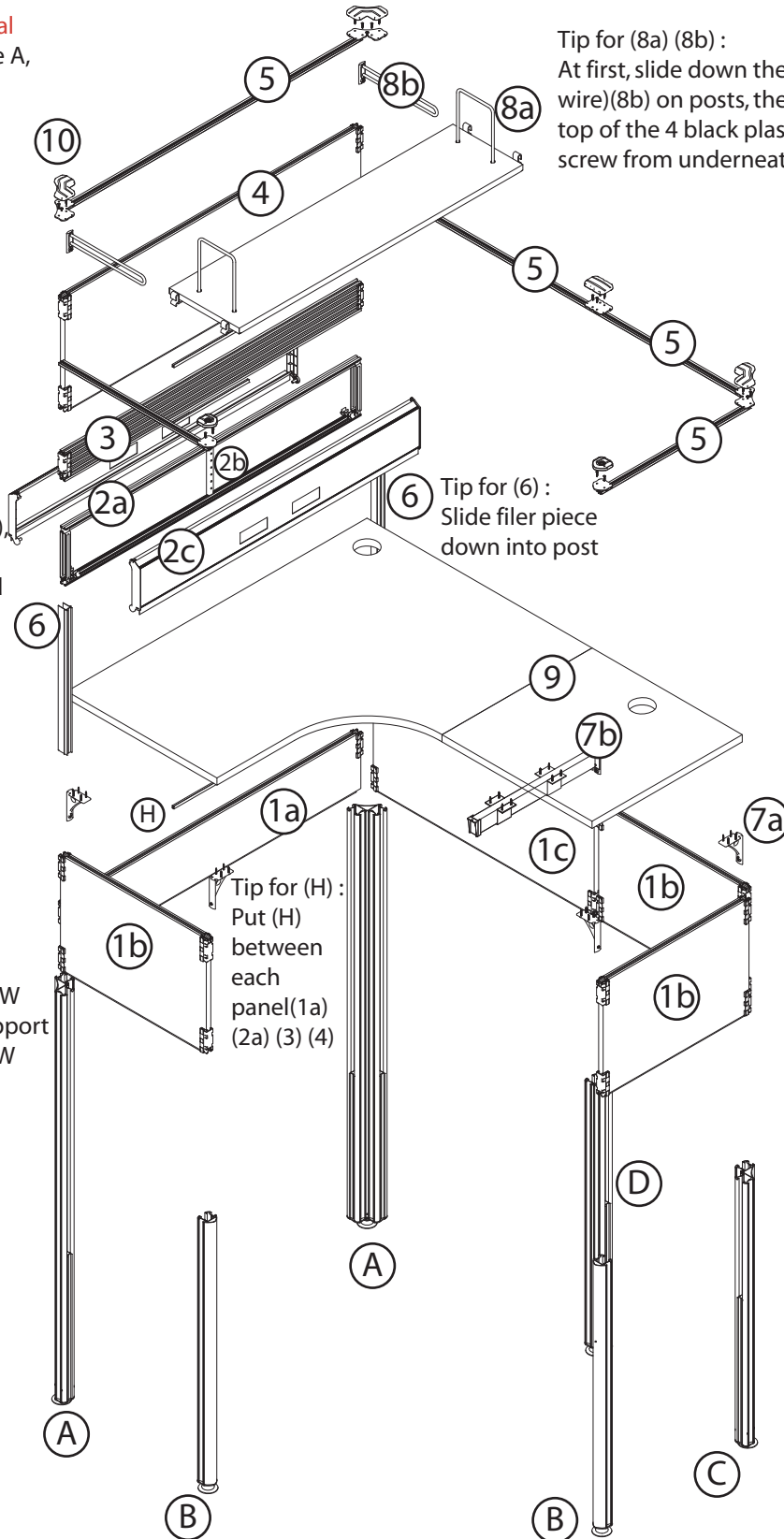
Tip for (7a) (7b):
Note the mark on each post height adjustment. You can use a screw driver to squeeze the **chromed screw**

PARTS LIST

- 2 x (A) post 2-way 57"H
- 2 x (B) post 1-way 37"H
- 1 x (C) post 2-way 37"H
- 1 x (D) postH 2-way 37"H
- 1 x (1a) panel 8"H x 48"W
- 3 x (1b) panel 16"H x 24"W
- 1 x (1c) panel 16"H x 36"W
- 1 x (2a) raceway panel frame 48"W
- 1 x (2b) raceway panel frame support
- 1 x (2c) raceway panel cover 48"W
- 1 x (3) rail panel 48"W
- 1 x (4) panel 16"H x 48"W
- 5 x (5) panel cap
- 2 x (6) filer piece
- 5 x (7a) work top bracket
- 1 x (7b) central cantilever
- 1 x (8a) shelf 48"W
- 1 x (8b) shelf support
- 1 x (9) work top set 60" x 48"
- 6 x (10) post cap kit
- 3 x (H) H shape stick

screws:

- (a) **3/4" black wood screw** 
- (b) **chromed screw** 
- (c) **1/2" metal screw** 



Tip for (H):
Put (H) between each panel(1a) (2a) (3) (4)

Tip for (1a) (1b) (1c):
Slide first panel (1a) in between posts A-A, then panel (1b) in between A-B and (1c) in between A-D, same apply to the rest of (1b) in between C-D and B-C