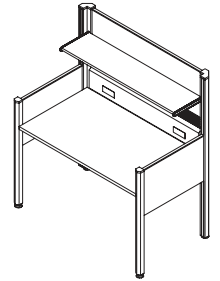




V1-SERIES

Small cubicle 48"W x 30"D

Ready-to-Work
Office Cubicles

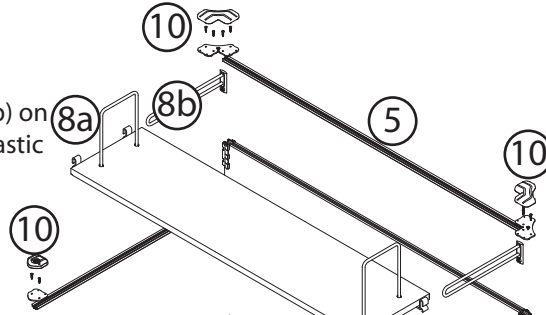


ASSEMBLY INSTRUCTION - 1 to 10

TOOLS needed: 1 philips screwdriver or 1 electric drill with philips bit
QUESTIONS: call 1-855-882-3905 or for more info visit www.cubeinabox.com

Tip for (8a) (8b) :

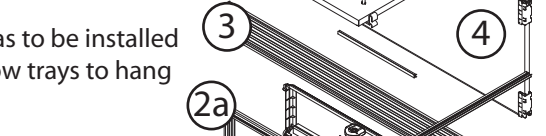
At first, slide down the 2 side parts(chrome wire)(8b) on posts, then adjust the shelf on top of the 4 black plastic supports and screw from underneath



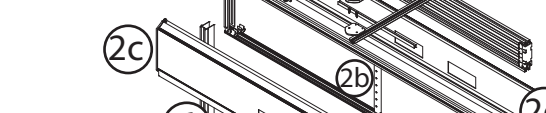
Tip for (10) :
Use the **1/2" metal screws** to cap the A and B posts

Tip for (3) :

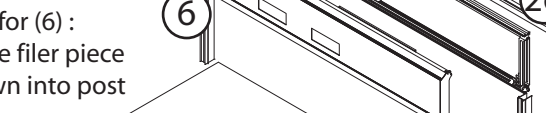
The rail panel has to be installed facing up to allow trays to hang on it



Tip for (4) (5) :
Slide panel cap (5) from side of panel (4), then slide down panel(4) into post



Tip for (6) :
Slide filer piece down into post



Tip for (2a) (2b) (2c):
First, slide down the frame of the raceway in between posts A-A, and put (2b) in the middle of (2a), then place the two "cavaliers" (small plastic molded parts) used to hold the doors on each other side

Tip for (9) :

Use the **3/4" black wood screws** with an electric drill from underneath the worktop

Tip for (7) :




Note the mark on each post height adjustment. You can use a screw driver to squeeze the **chromed screw**

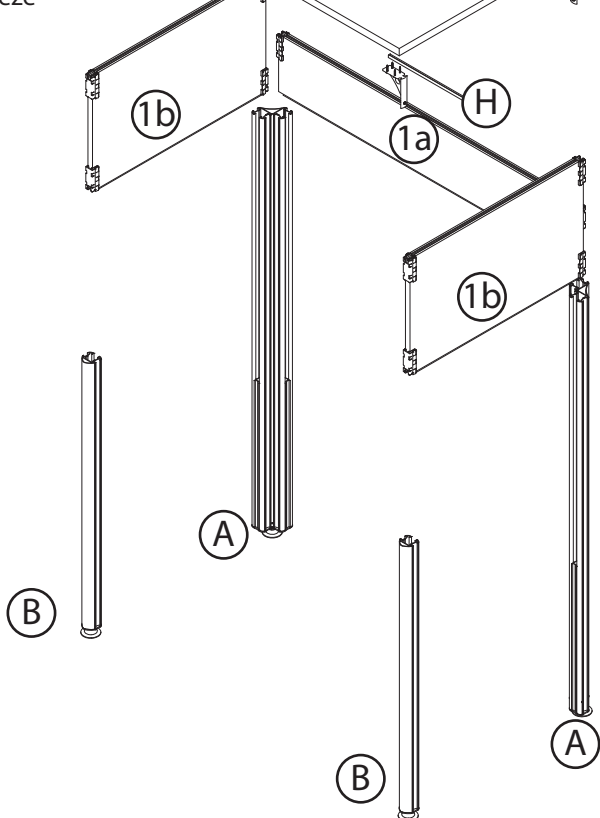


PARTS LIST

- 2 x (A) post 2-way 57"H
- 2 x (B) post 1-way 37"H
- 1 x (1a) panel 8"H x 48"W
- 2 x (1b) panel 16"H x 30"W
- 1 x (2a) raceway panel frame 48"W
- 1 x (2b) raceway panel frame support
- 1 x (2c) raceway panel cover 48"W
- 1 x (3) rail panel 48"W
- 1 x (4) panel 16"H x 48"W
- 3 x (5) panel cap
- 2 x (6) filer piece
- 4 x (7) work top bracket
- 1 x (8a) shelf 48"W
- 1 x (8b) shelf support
- 1 x (9) work top 48" x 30"
- 4 x (10) post cap kit
- 3 x (H) H shape stick

screws:

- (a) 3/4" black wood screw 
- (b) chromed screw 
- (c) 1/2" metal screw 



Tip for (H) :
Put (H) between each panel(1a) (2a) (3) (4)

Tip for (1a) (1b) :
Slide first panel (1a) in between posts A-A, then panel (1b) in between A-B