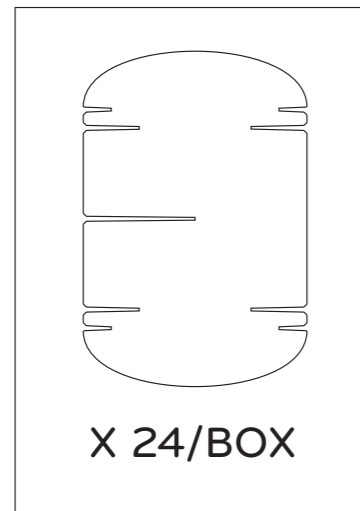


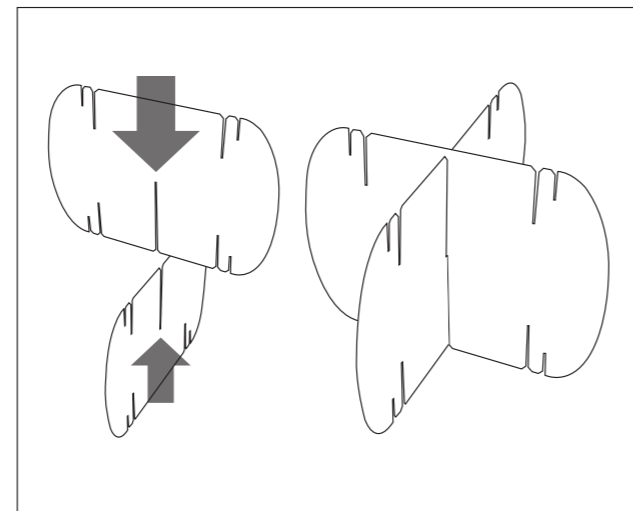
KARTON

KARTONGROUP.COM.AU

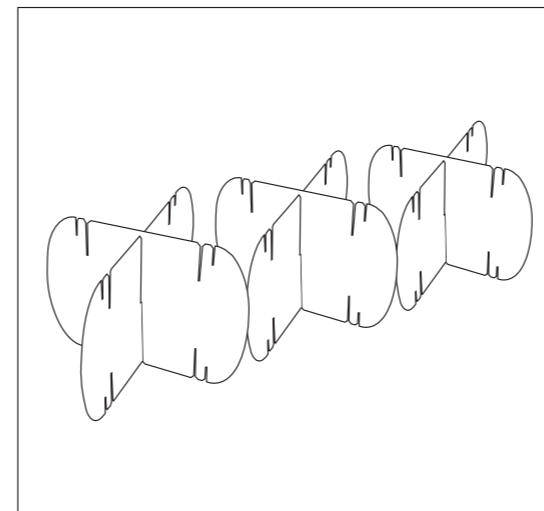
FLEXI-WALL ASSEMBLY INSTRUCTIONS



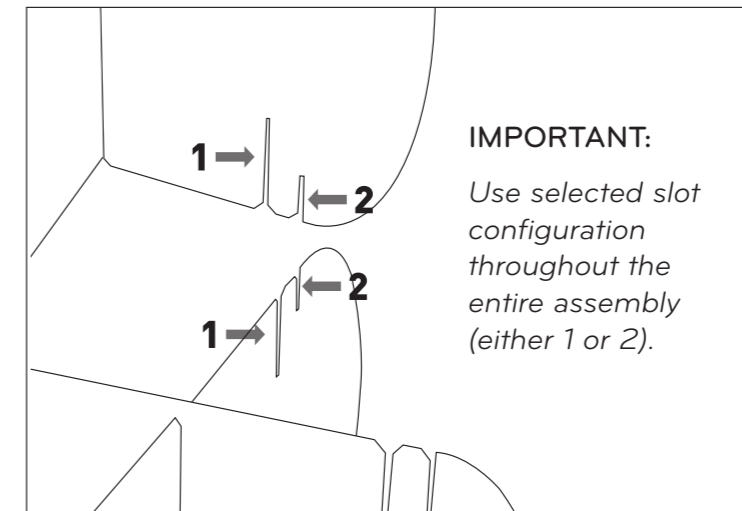
STEP 1: Unpack the box by cutting tape carefully to avoid damaging modules.



STEP 2: Connect two modules at a time along the central slot creating an X as shown above. Repeat this step for all modules.



STEP 3: Arrange one row of X assemblies in the desired wall perimeter, leaving approximately 2.5 cm between X assemblies.

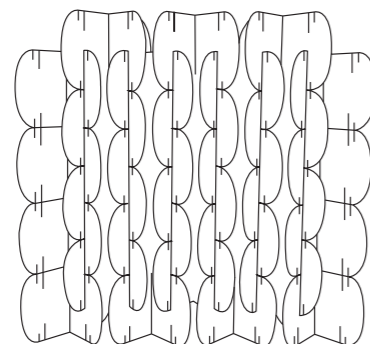


STEP 4: Insert subsequent rows of X assemblies into the bottom row using either:

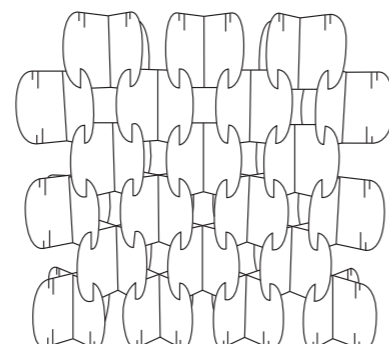
- Large side slots (1) for a closed configuration or,
- Small side slots (2) for an open configuration.

Repeat this step to desired height.

1: CLOSED CONFIGURATION



2: OPEN CONFIGURATION



KARTON

PO Box 160, St Kilda,
Victoria 3182 Australia

w: www.kartongroup.com.au
e: info@kartongroup.com.au
p: 1300 KARTON (1300 527 866)

EACH BOX CONTAINS:

- 1.3 sqm (closed configuration).
- 1.8 sqm (open configuration).

Printable instructions with additional configuration options are available online:
<https://cdn.shopify.com/s/files/1/0067/9162/files/flexi-wall.pdf>