



DAKOTA SAFETY

Safety Product Specialists

DakotaSafety.com
866-503-7245

StealthRail GUARDRAIL SYSTEM

Description

The StealthRail GuardRail System provides clean site lines and preserves the architectural integrity of your building, while offering perimeter passive fall protection.

Rail sections are constructed of 1-5/8" inch steel tubing. The rails secure to 108 pound cast iron bases that have four ports, allowing the rails to be placed in infinite positions. Each section is collapsible and the one-way pivot assembly allows the rails to fold down after rooftop work has been completed. When the bases are installed in a run with a 90° return on each end, the combined mass and the geometry of installation creates an OSHA compliant barrier for roof edge protection. The StealthRail requires no penetration to the roof surface when installed.

Basic Use

The StealthRail's fold-down design provides clean sight lines while meeting OSHA's requirements for safety guardrail systems.

OSHA Compliance

Compliant with regulations for guardrails:

- 29 CFR 1910.23
- 29 CFR 1926.502

Features

- Reduce costs over an engineered lifetime system
- Folds out of sight when not in use
- Quick installation
- No drilling needed
- Deemed OSHA compliant by an independent accredited engineering firm
- Can be used around mechanicals or for perimeter protection
- Rails can be mounted in infinite positions
- Manufactured in-house
- Powder Coat and Galvanized finishes available
- Optional EPDM rubber pads and BUR pads available for added roof surface protection

Minimum Requirements

In order to meet OSHA regulations for fall protection, outriggers must be utilized (returns/counter weights). Whether the Danger Side Run is 5' or 1000' in length, you must have these in place at the beginning and at the end of the run. Outriggers are standard rail kits that are connected at approximately 90° to the Danger Side Run of each end rail section.

A collapsible, non-penetrating guardrail system that provides clean sightlines.

See reverse side for additional specifications and test results



BEFORE Construction



AFTER Construction

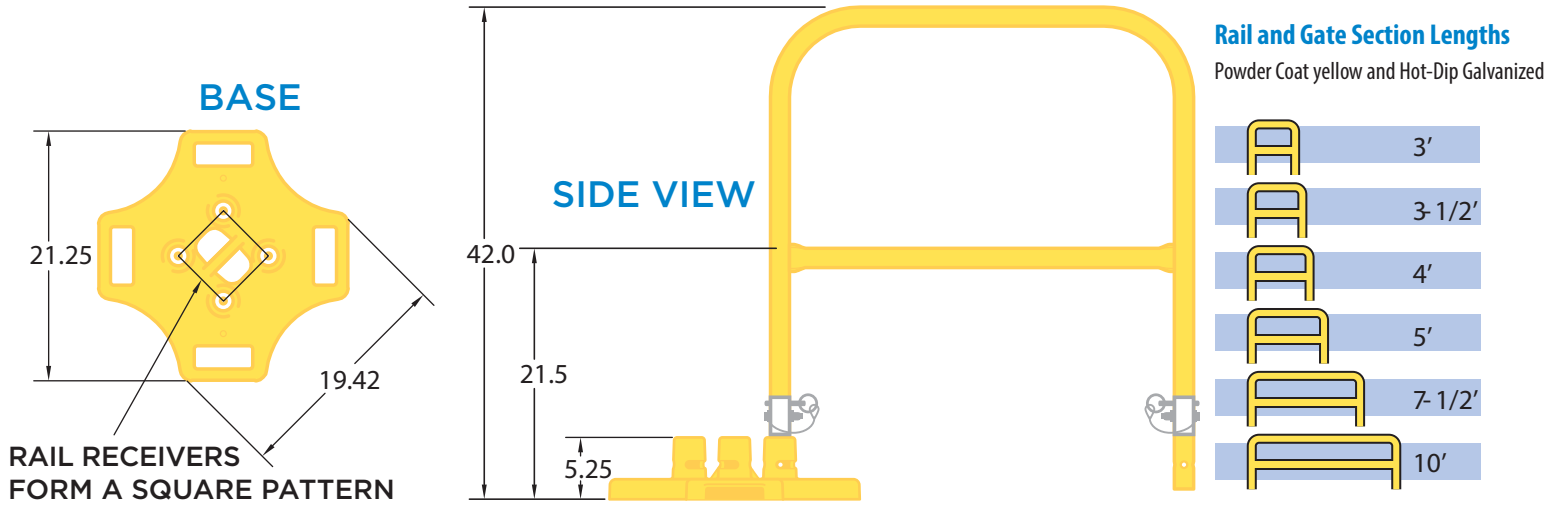




DAKOTA SAFETY

Safety Product Specialists

DakotaSafety.com
866-503-7245



Roof Edge Protection:

Provide freestanding pedestrian egress barrier system on roof, including pipe railings, uprights, bases, and fittings

Approved Product: StealthRail 2000 Guardrail System

Standards: System shall have top and mid rail in accordance with OSHA Standards – 29 CFR 1910.23 and 29 CFR 1926.502

Structural Load: 200 lb (90.7 kg), minimum, in any direction to all components in accordance with OSHA Regulations 29 CFR 1910.23 and 29 CFR 1926.502

Height: 42 inches (1067 mm), minimum

Railings: 1- 5/8 inch (41 mm) O.D. hot rolled pickled electric weld tubing, free of sharp edges and snag points

Mounting Bases: Class 30 gray iron material cast with four receiver posts. Base weight 108 lb, 48 lbs per square foot. Provide rubber pads on bottom bases

Receiver Posts: Shall have a positive locking system into slots that allow rails to be mounted in any direction. Friction locking systems are not allowed. Receiver posts shall have drain hole

Hardware: Securing pins shall be 1010 carbon steel, zinc plated and yellow chromate dipped. Pins shall consist of collared pin and lanyard that connects to lynch pin

Finishes: Available in standard Powder Coat Yellow and Hot-Dip Galvanized. Custom colors available

Options

Step-Rail: Variable height railing enables a continuous run of the StealthRail when the roof steps up or down

Raised Mid-Rail: Railing to fit over duct work for continuous run of StealthRail

LP Outrigger: Supports placed under ducting or conduit to continue run of StealthRail Guardrail System when rail section cannot be used

Finishing Rail: D-shaped railing extension for ladder landings, length or rail section and D-loop as indicated on the Drawings

Surface Protection Pads: EDPM Rubber Pads and Bur Pads are available

Independent Test Results

Load Testing and Wind Load Calculation available on request