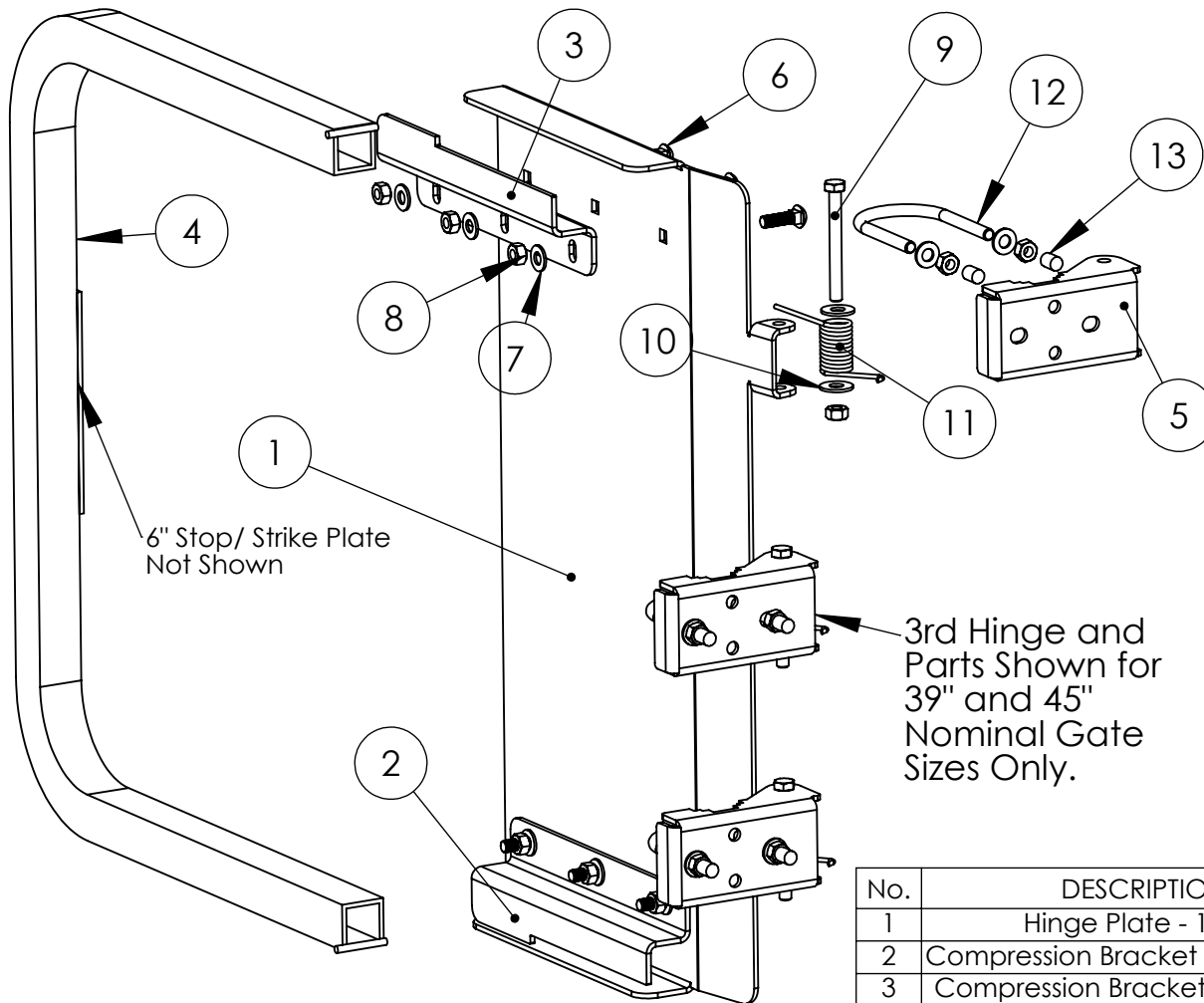


Installation Instructions for Guard Dog Self-closing Safety Gate

You are now in possession of the Guard Dog Safety Gate. The Guard Dog is designed to be simple and easy to install. The gate is shipped fully assembled with all the mounting hardware required for installation on round or square tubing that is 2" O.D. or less.

If you have any questions regarding this BlueWater product, please feel free to contact our office, toll free, at 866-933-2935. Our offices are open 8:00AM to 5:00PM, CST Monday thru Friday.



Available Finishes:

- Powder Coat
- Hot Dip Galv
- 316 Stainless Steel

No.	DESCRIPTION	QTY.
1	Hinge Plate - 10Ga	1
2	Compression Bracket Right - 10Ga	1
3	Compression Bracket Left - 10Ga	1
4	Gate Arm - 1-1/4" SQ. 11Ga	1
5	Hinge Bracket - 10Ga	2
6	Carriage Bolt 5/16 - 18 X 2	6
7	5/16 Flat Washer	10
8	Hex Nut 5/16	12
9	HBolt 5/16- 18 x 3	2
10	Nylon Washer	4
11	SST Spring	2
12	U-Bolt	2
13	U-Bolt Cap	4
14	Bumper Stop - Not Shown	1

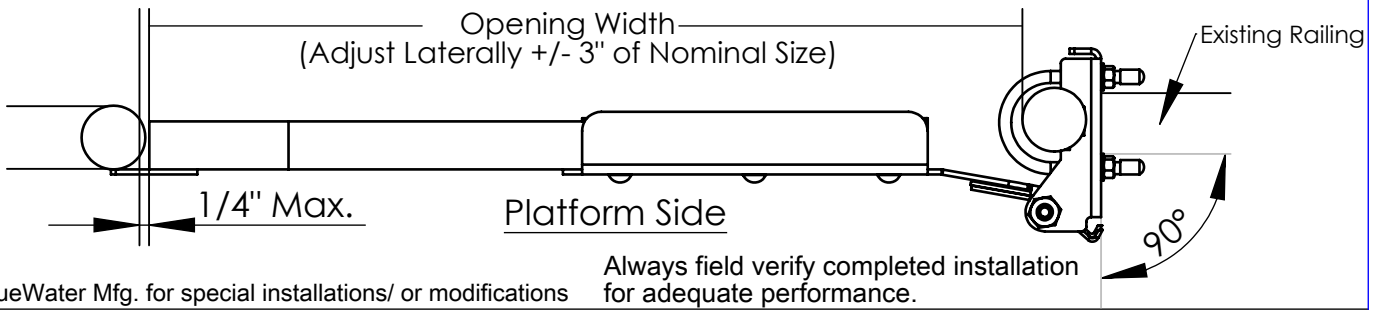
What is the OSHA Requirement?

OSHA 29CFR 1910.23 - Guarding of Floor, Wall Openings and Holes

"(a)(2) Every ladderway floor opening or platform shall be guarded by a standard railing with standard toeboard on all exposed sides (except at entrance to opening), with the passage through the railing either provided with a swinging gate or so offset that a person cannot walk directly into the opening.

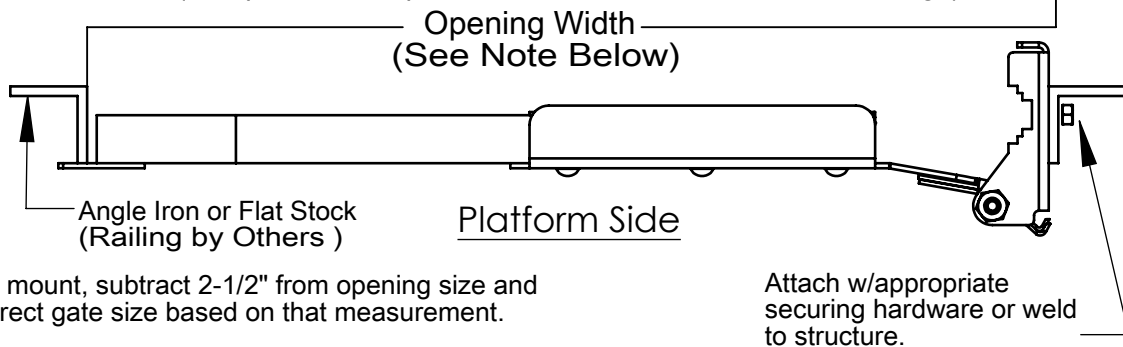
Standard Installation - Railings up to 2" Square/ Round

(Large dia. post adaptor kits available - Contact BlueWater Mfg.)

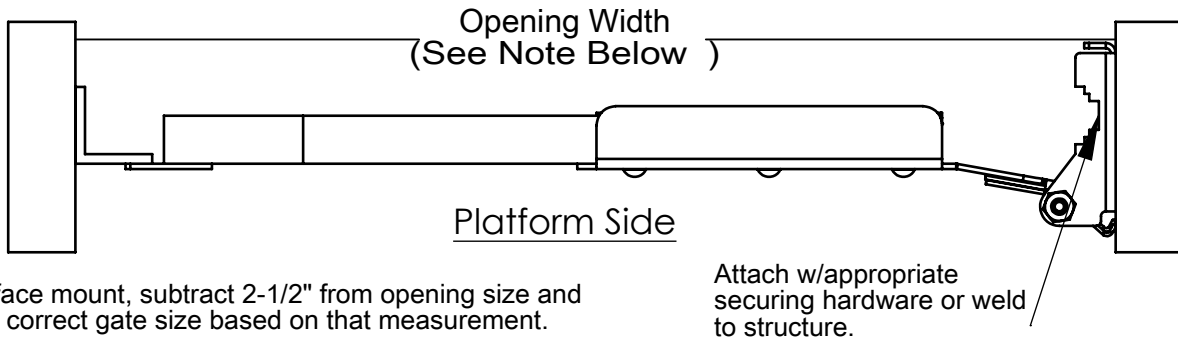


Installation for Angle Iron/ Flat Stock Railing

(Compression adaptor kits available - Contact BlueWater Mfg.)



Installing on Wall/ Flat Surface



Tools Required:

- 1/2" Deep Socket or wrench (For Standard Pipe Installation - 2" O.D. or Less)

Please follow the steps below for installing the Guard Dog Safety Gate)

Installations may vary. Thus, the structural integrity of the gate installation may vary. Proper installation is required and to a structure that can support the load. **Always verify the completed installation for adequate performance before leaving the jobsite.**

Step 1: Lightly attach safety gate hinge assemblies to vertical upright of railing with provided U-Bolts (or select appropriate field fasteners for other types of installations). As you may need additional adjustments, do not tighten the nuts as this stage of the installation.

Step 2: Slide the gate into position so the top of the safety gate matches the top of the railing.

Step 3: Align hinge bracket to be 90 degrees to ladder safety gate and opening (See above).

Step 4: Adjust gate hoop to proper opening width. This can easily be achieved by loosening the compression brackets and sliding the gate to the required opening. Insure stop/strike plate overlaps and contacts adjacent upright of railing system allowing for 1/4" maximum clearance. Do not let the hoop stop pin out of the slot on the compression clamps. **Retighten the compression clamps.**

Step 5: Operate gate through full swing range to insure proper alignment prior to tightening the nuts. **Tighten each U-Bolt to 20 ft/lbs of torque.**



**DAKOTA
SAFETY**

Safety Product Specialists

584 Coventry Pkwy
St. Paul, MN 55123
866-503-7245
www.Dakotasafety.com
info@dakotasafety.com