



CREWSAVER INFLATABLE BOAT

SLATTED FLOOR RANGE

The Crewsaver range of slatted floor inflatable boats offers a range of affordable, high-quality tenders. Ideal for all-round use, whether you require a means of transport to your yacht or craft or looking for small boat options to get out on the water for some fun.

Both set up and launching of these boats is made simple thanks to the one-touch quick inflation valves, and high-volume pump included. Thanks to the slatted floor you can easily roll up your boat when you need to transport it or keep it stowed in a locker.

Securing your boat whilst on the water is simple. It can be fixed to stern davits using the integral davit eyes. When towing and lashing the boat down, you can secure the boat to the stainless-steel davit rings outside the bow.

These boats are constructed using high-quality materials. The wide rubbing strake offers all-round protection during those moments when coming alongside. The solid transom accommodates a wide range of traditional and electric outboard engines, offering both a stylish and practical inflatable tender.

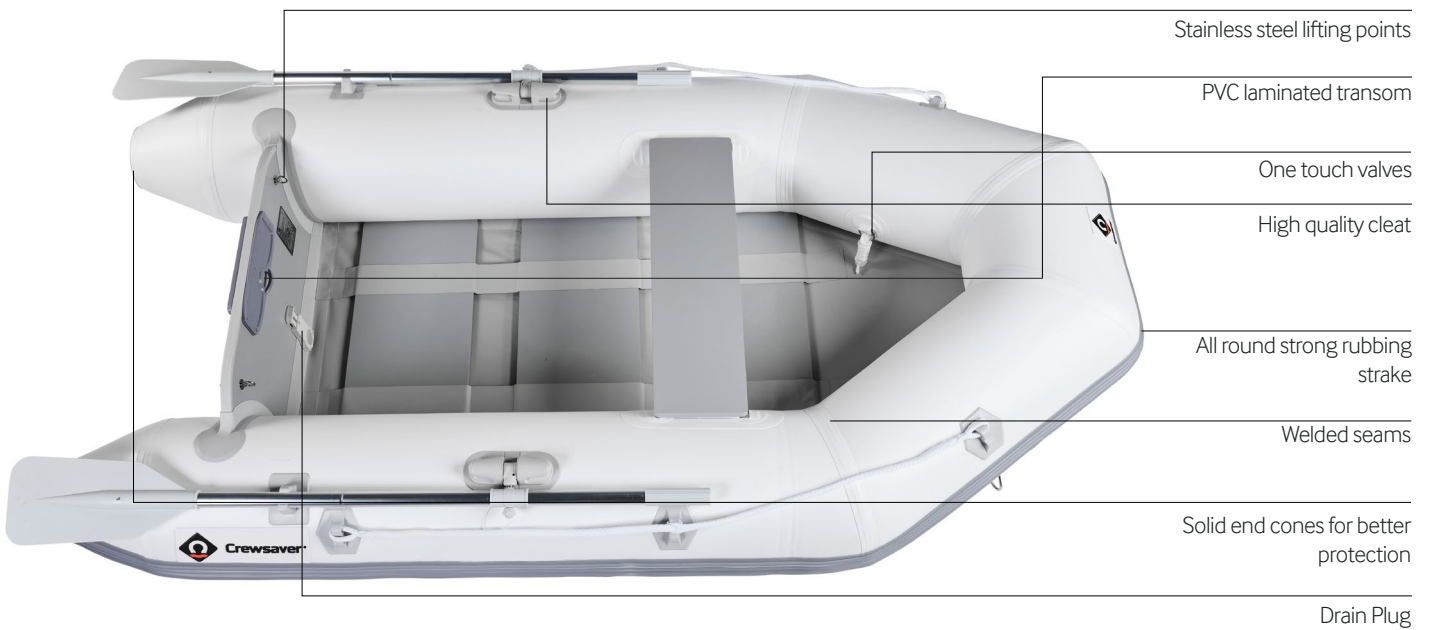
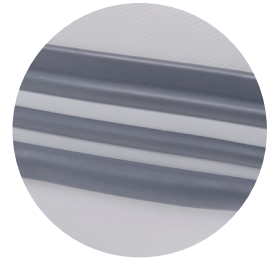
FEATURES

- **Compact**
- **Quick pressure relief valve**
- **Quick and easy to inflate and stow**
- **Thick rubbing strake around the boat**
- **2 x stainless steel tow rings fitted around the bow**
- **2 x stainless steel eye bolts fitted to transom for davit attachment**
- **Quick inflate/deflate valves**
- **Solid end cones for protection**



CREWSAVER INFLATABLE BOAT

SLATTED FLOOR RANGE



WHAT IS INCLUDED

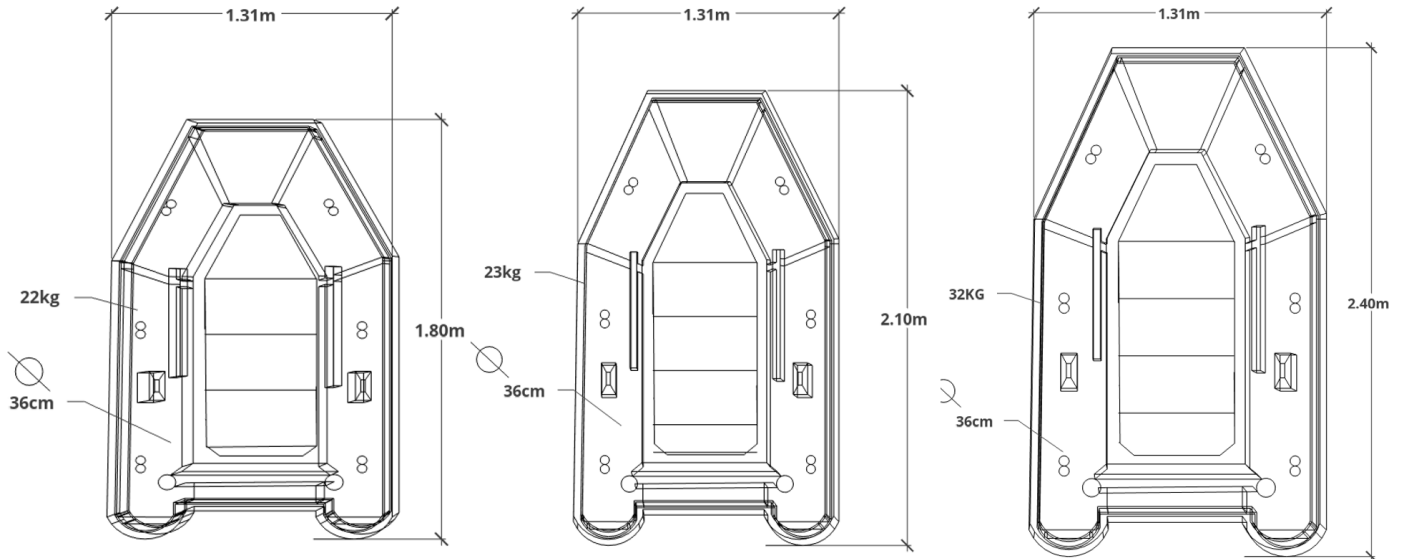
- Foot pump
- Repair kit
- 2x paddles
- Carry Valise (Bag)
- Mooring line
- Sliding alloy seat.

CREWSAVER INFLATABLE BOAT

SLATTED FLOOR RANGE



Slatted Floor Tender Boat Range comes in 3 size options



TECHNICAL DATA

Name / Part Code	CREWSAVER SL 180 / 85055-180	CREWSAVER SL 210 / 85055-210	CREWSAVER SL 240 / 85055-240
Length	185	210	240
Width	131	131	131
Tube Diameter	36	36	36
Number of Persons	2	2	2
Max. Loaded Weight	200	250	350
Weight kg	22	23	32
Max HP	2.5	4	4
Packed Dimensions	80x30x45	80x35x45	80x35x45

Approvals
ISO approved

