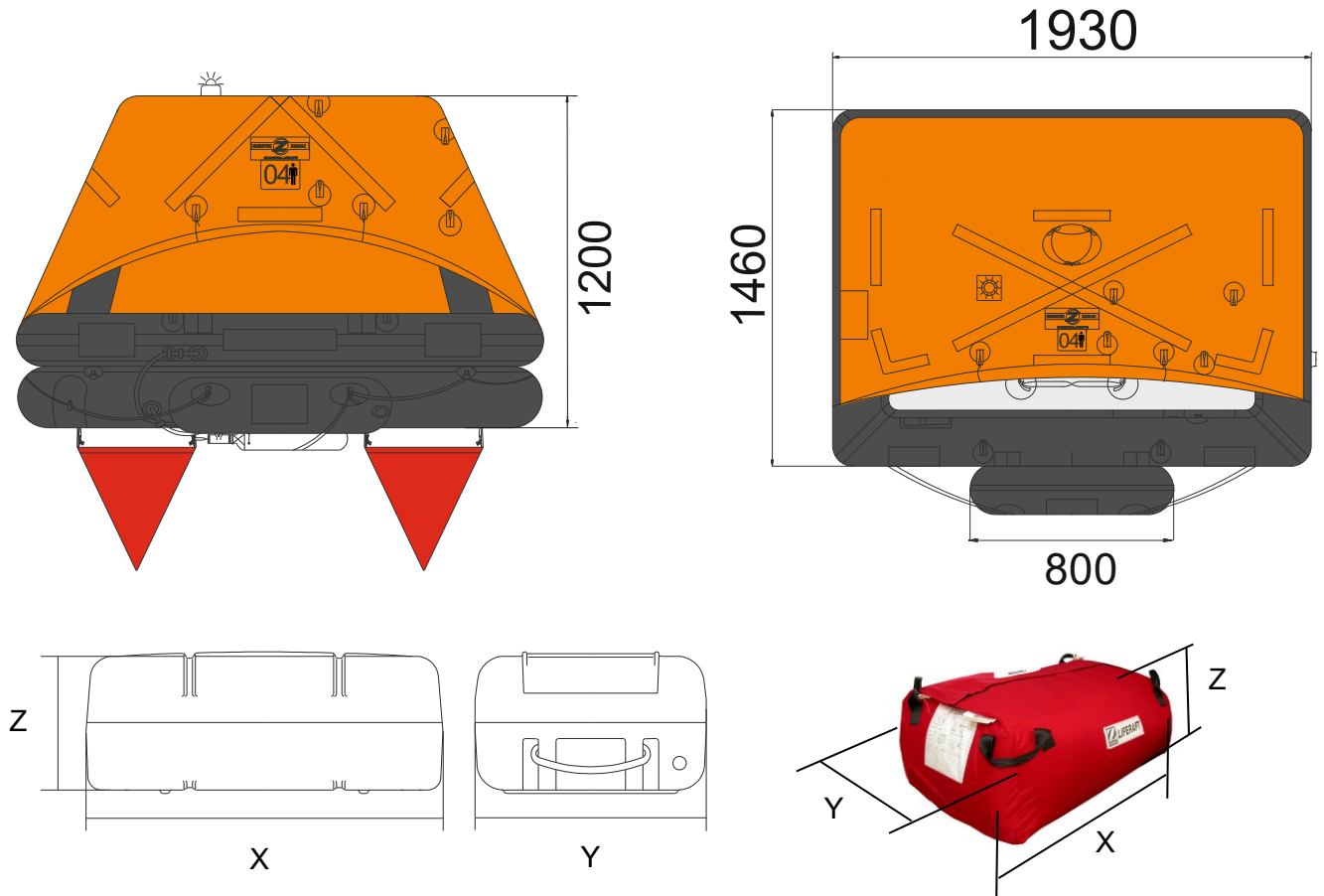
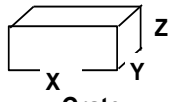


04 PERSON COASTAL LIFERAFT - USCG GRP LOW PROFILE CONTAINER & VALISE



4 MAN	GRP container			Valise		
Container	N131			N° 3		
Dimensions	X: 825 mm	Y: 540 mm	Z: 318 mm	X: 690 mm	Y: 250 mm	Z: 300 mm
	X: 2' 8,49"	Y: 1' 9,26"	Z: 1' 0,52"	X: 2' 3,17"	Y: 9,85"	Z: 11,82"
Liferaft Net Weight	35 kg / 78 pounds			30 kg / 67 pounds		
Max. height stowage	10 m / 33'			10 m / 33'		
Painter line length	20 m / 66'					
Inflation Cylinder	1 x 4 litre					

 Crate	X: 830 mm	Y: 540 mm	Z: 330 mm	X: 830 mm	Y: 540 mm	Z: 330 mm
	X: 2' 8,68"	Y: 1' 9,26"	Z: 1' 1"	X: 2' 8,68"	Y: 1' 9,26"	Z: 1' 1"
	38 kg / 84 pounds			33 kg / 73 pounds		
	0,148 m3 / 5,23 cubic foot			0,148 m3 / 5,23 cubic foot		

Towing force	2 knots	3 knots
Without sea anchor	35 daN	60 daN
With sea anchor	48 daN	90 daN

Approvals:	USCG
-------------------	-------------

04 COASTAL USCG LPC.doc	Issue: 5	Date: 06/02/2017
-------------------------	----------	------------------

Dimensions and weight +/- 5%
 SURVITEC SAS reserves the right to change specification without notice.
 For installation, add minimum +10mm for clearance to dimensions of the container.