

SANIPACK[®] Macerator

FULL VIEW OF COMPLETE BATHROOM



CLOSE-UP VIEW OF PRODUCT



The Sanipack is a 1/2 HP pump system used to install a complete bathroom up to 15 feet below the sewer line, or even up to 150 feet away from a soil stack. It incorporates a macerating system which can handle human waste and toilet paper in residential applications. The blade is made out of a hardened stainless steel material which eliminates the need for any service or replacement.

- Discharges the waste through a 3/4" or 1" rigid pipe. A non-return valve is included on the discharge elbow assembly provided with the system. This elbow can be rotated 360 degrees depending on the discharge installation.
- Has been designed with a 1 1/2" vent connection on the top of the lid. All plumbing codes require connection to a vent system. Please note that the vent system should be a two-way air vent as air needs to freely flow both ways. Note: The use of mechanical vents, air admittance valves or similar devices is not permitted.
- This pump is designed to be connected to **any wall-hung toilet** (not supplied by Saniflo). Note that there should be a minimum 1/4" per foot gravity fall on the waste pipe coming from the toilet into the pump.
- Will also discharge gray water from any **sink, shower or urinal**. The wastewater will drain into the system via **two 1 1/2" inlets with built-in check valves** on either side of the housing. Note that when adding a shower, the base should be raised up by a minimum of 6" off the floor.

TECHNICAL SPECIFICATIONS

Pump type: Macerator

Electrical: 10 V – 60 Hz / 4.5 Amps (Max)

Motor: 0.5 HP oil-filled thermally protected motor

Capacitor rating: 45 microfarad

Operating Temperature: 104 F° (110 F° Max.)

Power cord length: 48 inches

Noise level: ≤ 53 dBA (Lp) (measured at 3 ft.)





Discharge pipe diameter: ¾" or 1"

Discharge rate at 15 ft: 17 GPM

Discharge rate at 3 ft: 27 GPM

Shut-off head: 30 ft.

Normal running time: Depends of toilet system

Capacity: 3.5 gallons

Inlets: 1½" (sides), 1½" vent (top)

Method of activation: Membrane/microswitch

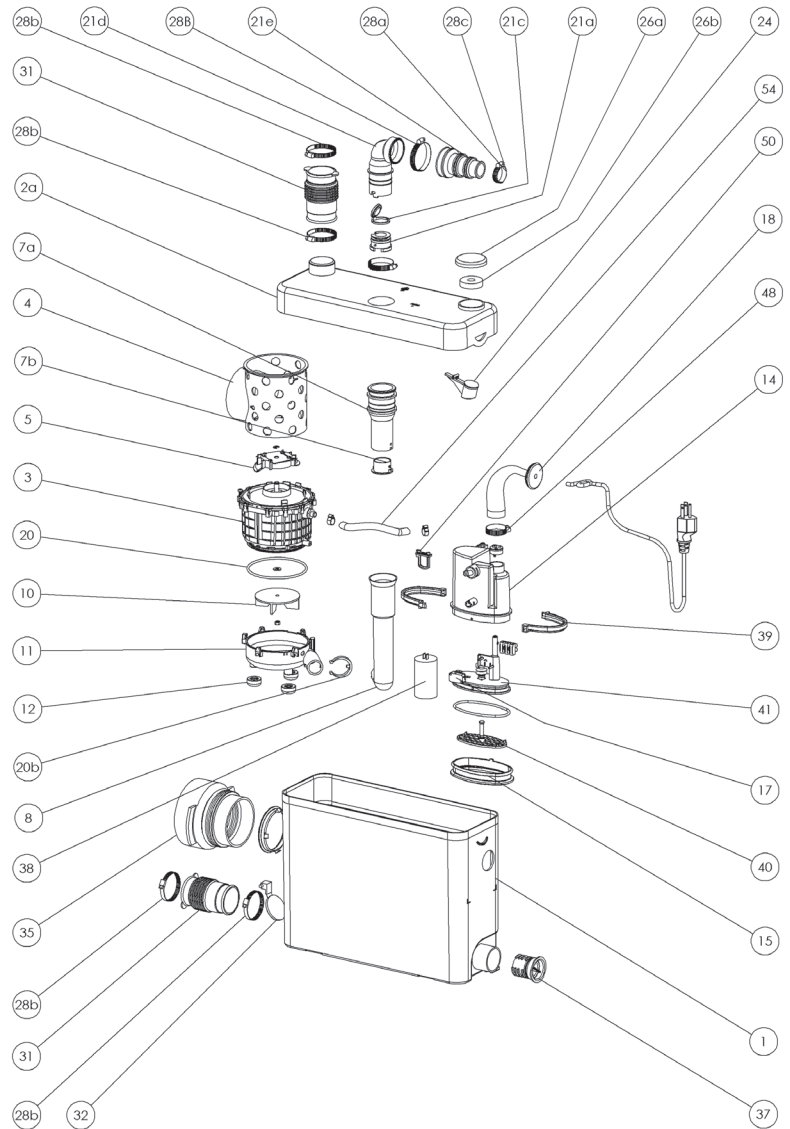
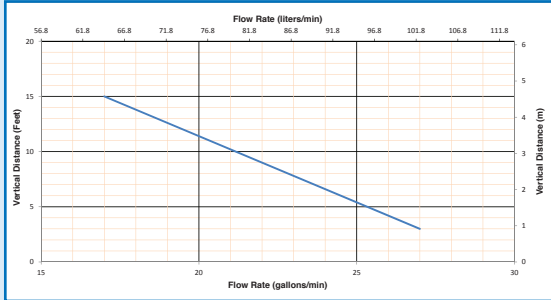
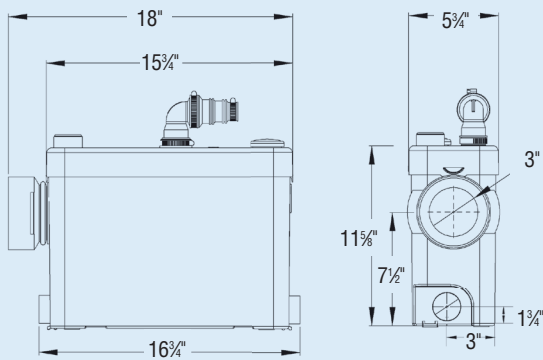
Shower base height: 6" min

Weight: 17 lbs.

Certifying agencies: CSA (IPC, NSPC), IAPMO (UPC)

Recommended accessories: Descaler, Sanialarm

Connections: Wall-hung toilet, sink, shower



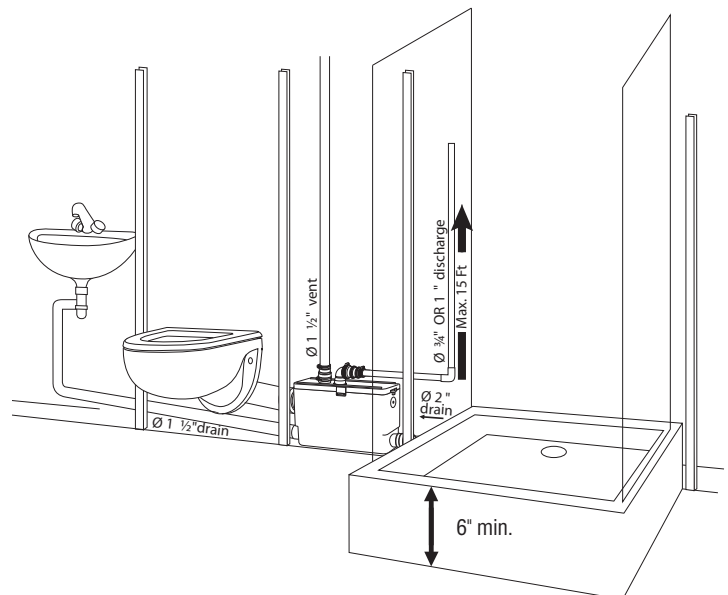
PLEASE CALL US TOLL-FREE AT 800-571-8191 (US) / 800-363-5874 (CDN) TO PURCHASE PARTS REFERENCED ABOVE

USE ANY WALL-HUNG TOILET TO COMPLETE YOUR BATHROOM INSTALLATION

There are no limitations when it comes to designing your bathroom around the Sanipack (011) system as you can select **any wall-hung toilet of your choice.**

Mix and match your fixtures (shower, sink) from other brands to complete your installation.

The macerating system is **easy to conceal as it can be installed behind or even in-between walls.** This type of installation gives you the clean look of a European bathroom.



FOR ADDITIONAL TECHNICAL QUESTIONS, PLEASE CALL 800-571-8191