

SANIFLO®

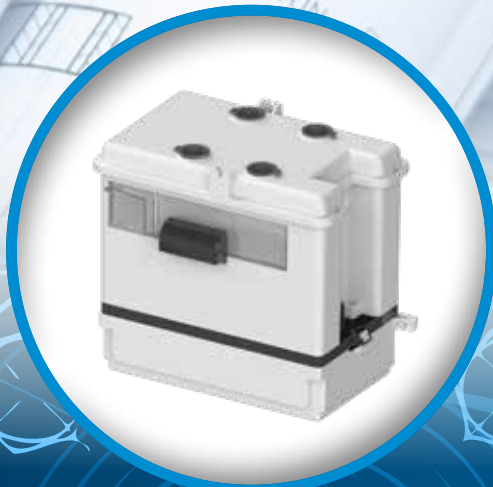
A PUMP COMPANY SINCE 1958



EXTERNAL UNITS



DRAIN PUMPS



CONDENSATE PUMPS



SELF-CONTAINED UNITS



PACKAGED GRINDING SYSTEMS

Plumbing solutions for all residential and commercial applications

Saniflo offers a range of macerating and grinding pump systems that greatly reduce the size of fecal matter and waste. Larger diameter discharge lines are unnecessary; in fact, all that is needed is a ¾" diameter discharge line.

The flexibility of Saniflo systems makes any sanitary application you can imagine possible. Saniflo offers the most reliable and cost-effective solutions for any job, whether it's a small project requiring drain or condensate pumps to more complex engineered jobs, even whole buildings with multiple fixture units. You are no longer limited to locations where downhill drainage or gravity evacuates waste. You don't even need to be in close proximity to the main waste pipe.



- Page 3 **OPERATING PRINCIPLE OF SANIFLO SYSTEM**
- Page 4 **SIZING THE BEST PRODUCT**
- Page 5 **SANIFLO'S TOILET SYSTEMS**

EXTERNAL UNITS

Pages 6-9	CASE STUDIES												
Pages 10-11	SANIBEST Pro	✓	✓	✓	✓	✓		✓					
Pages 12-13	SANIGRIND Pro	✓	✓	✓	✓	✓		✓					
Pages 14-15	SANIACCESS® 3	✓	✓	✓	✓	✓							
Pages 16-17	SANIPLUS	✓	✓	✓	✓								
Pages 18-19	SANIPACK	✓	✓	✓									
Pages 20-21	SANIACCESS® 2	✓	✓										

SELF-CONTAINED UNITS

Pages 22-23	CASE STUDIES												
Pages 24-25	SANICOMPACT	✓	✓										
Pages 26-27	SANISTAR	✓	✓										

PACKAGED GRINDING SYSTEMS

Pages 28-31	CASE STUDIES												
Pages 32-33	SANICUBIC 1	✓	✓	✓	✓	✓	✓	✓	✓	✓			
Pages 34-35	SANICUBIC 2	✓	✓	✓	✓	✓	✓	✓	✓	✓			

DRAIN AND CONDENSATE PUMPS

Pages 36-39	CASE STUDIES												
Pages 40-41	SANICOM 1		✓	✓	✓	✓	✓	✓	✓	✓			
Pages 42-43	SANIVITE		✓	✓	✓	✓	✓	✓	✓	✓			
Pages 44-45	SANISWIFT		✓	✓		✓	✓	✓	✓	✓			
Pages 46-47	SANISHOWER		✓	✓						✓			
Pages 48-49	SANICONDENS										✓	✓	✓
Pages 50-51	SANICONDENS BEST										✓	✓	✓
Page 52	SANI NEUTRAL										✓	✓	✓

- Page 53 **SANIACCESSORIES**
- Pages 54-57 **INSTALLATION TIPS AND GUIDELINES**

All products comply with North American standards under the ASME A112.3.4 Macerating Toilet Systems standard and CSA-C22.2 (UL778) Motor Operated Water Pumps standard. Toilet systems meet the EPA criteria for WaterSense high performance and water-efficient toilets.

OPERATING PRINCIPLE OF THE SANIFLO SYSTEM

Above-floor plumbing technology eliminates the need to break the concrete or floor which means no disruptive or destructive remodeling. Floors, walls, and structural integrity remain intact while the project time is reduced and construction mess is virtually eliminated.



1
The toilet is flushed, the water level rises and the Saniflo grinder motor turns on automatically.



2
The blades driven by the motor grind the contents into tiny particles in 3 or 4 seconds.



3
The finely ground particles are pumped through a standard pipe just 3/4 or 1 inch in diameter.



4
The tank is now empty (apart from the water seal) and the system is ready for use again.



WHAT IS A MACERATOR?

To "macerate" is to soften and break in pieces. Our Saniflo macerating systems use a stainless steel rotating blade to liquefy human waste and toilet paper. When mixed with flushing water the waste is pumped into a sanitary sewer as a fine slurry.

WHAT IS A GRINDER?

The grinder will accept accidental flushing of sanitary items such as feminine hygiene products. The heavy-duty stainless steel blade grinds up the waste particles (i.e. toilet use, shower, washing machine, etc.) and pumps it into a sanitary sewer as a fine slurry.

*SaniAccess3
SaniPlus
SaniPack
SaniAccess2
SaniCompact
SaniStar*



Scan with your smart phone to watch a video clip of the Saniflo system operating principle.

*SaniBest Pro
SaniGrind Pro
SaniCubic 1
SaniCubic 2*

ALL YOU NEED IS A POWER SUPPLY AND WATER!

-sizing the best product

Saniflo offers several models for different applications and requirements. Choosing the best product that meets your needs is the first step towards completing your project. From residential to commercial applications for either gray or black water, Saniflo is with you every step of the way!



GRAY WATER — Wastewater from sinks, showers, washing machines, HVAC appliances, etc.



Residential



SANISHOWER



SANISWIFT



SANICONDENS



Commercial



SANICOM I



SANIVITE



SANICONDENS BEST



BLACK WATER — Wastewater containing human waste typically coming from toilets.



Residential

● HALF BATHROOM

● FULL BATHROOM

● MULTIPLE FIXTURES



SANIACCESS2



SANIACCESS3



SANICUBIC 1



SANI BEST PRO



SANICUBIC 1



SANICOMPACT



SANIPLUS



SANICUBIC 2



SANIGRIND PRO



SANICUBIC 2



SANISTAR



SANIPACK



Commercial

● HALF or FULL BATHROOM

● MULTIPLE FIXTURES

HOW MANY GALLONS PER MINUTE DOES THE PUMP NEED TO EVACUATE?

Calculate the total gallons per minute (GPM) by adding the flow rate from each fixture being drained into the pump.

WHAT IS THE TOTAL HEAD THE PUMP NEEDS TO OVERCOME?

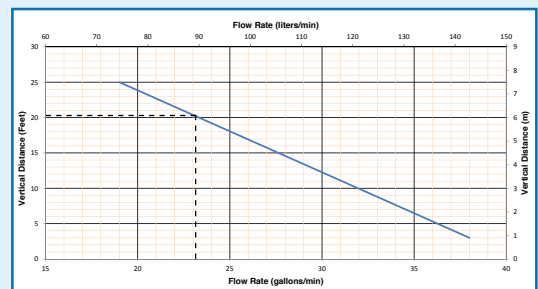
Calculate the total head by adding the vertical lift and friction losses throughout the discharge pipe including valves and elbows.

USING THE PUMP CURVE, VERIFY IF THE REQUIREMENTS ARE WITHIN THE PUMP CAPABILITIES

- Total flow rate
- Total Head = Vertical lift + Friction (head) losses

LET'S DO AN EXAMPLE!

- We need to evacuate a complete bathroom in a commercial application which includes a toilet, a shower/bathtub and two sinks. **Total estimated flow rate: 12 GPM**
- The system has to pump up 20 ft. vertical and 10 ft. across through a 3/4" diameter pipe without gravity slope. **Total estimated head loss = 23 ft.**
By reviewing the pump curve, the **Sanibest Pro** and **Sanigrind Pro** systems meet the requirements for this application.



Saniflo's vitreous china toilets are designed to be durable with a high gloss finish for an easy-to-clean surface. These floor mounted, rear discharge toilets have the desired height to meet comfort and aesthetics to provide a unique style. Saniflo's high efficiency toilets use 1.28 gallons per flush, and are recognized by the EPA's water-saving WaterSense program.

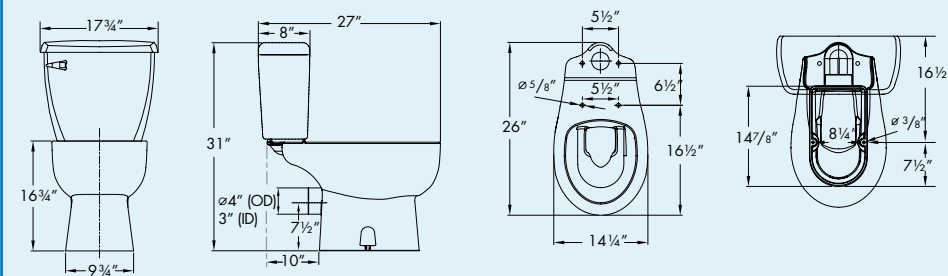
Complete toilet system comes with everything needed for installation **including a stylish soft-close toilet seat**.

ROUND FRONT TOILET BOWL • Part No. 083 | INSULATED TOILET TANK • Part No. 005



TECHNICAL SPECIFICATIONS

- Vitreous wash-down style bowl with integral p-trap which uses **1.28 GPF**.
- Rear-outlet white bowl with **16-3/4" seating height** for added comfort.
- **Insulated tank** to prevent condensation supplied with fill and flush valves.
- Bowl and tank come equipped with all the **necessary mounting hardware**.
- **Large 3" trapway** with water spot measuring 4-1/2" x 3-3/4".
- IAPMO Listed / EPA Watersense labeled / 1 year limited warranty.



Technical drawings for the round front toilet (Part No. 083) showing dimensions in inches:

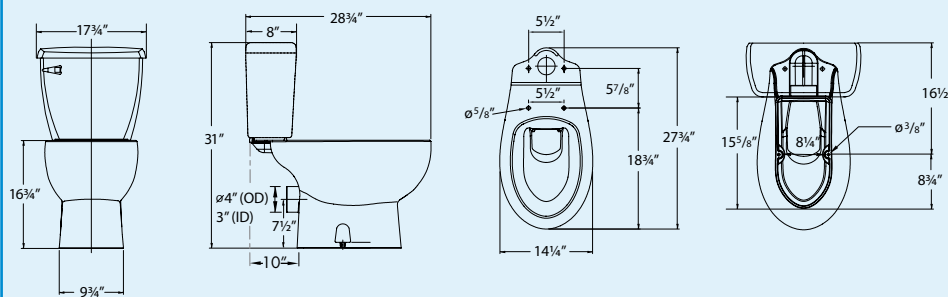
- Side View:** Tank width 17 3/4", total height 31", bowl height 16 3/4", base width 9 3/4".
- Front View:** Tank width 27", tank depth 8", bowl height 16 1/2", base width 10", trapway diameter 3" (ID), trapway diameter 4" (OD).
- Top View:** Bowl width 14 1/4", bowl depth 26", bowl height 16 1/2", mounting hole diameter 5/8", trapway diameter 3/8".
- Bottom View:** Bowl width 14 7/8", bowl depth 16 1/2", bowl height 7 1/2", trapway diameter 3/8", trapway diameter 8 1/4".

ELONGATED FRONT TOILET BOWL • Part No. 087 | INSULATED TOILET TANK • Part No. 005



TECHNICAL SPECIFICATIONS

- Vitreous wash-down style bowl with integral p-trap which uses **1.28 GPF**.
- Rear-outlet white bowl with 16-3/4" seating height is **ADA compliant**.
- **Insulated tank** to prevent condensation supplied with fill and flush valves.
- Bowl and tank come equipped with all the **necessary mounting hardware**.
- **Large 3" trapway** with water spot measuring 4-1/2" x 3-3/4".
- IAPMO Listed / EPA Watersense labeled / 1 year limited warranty.

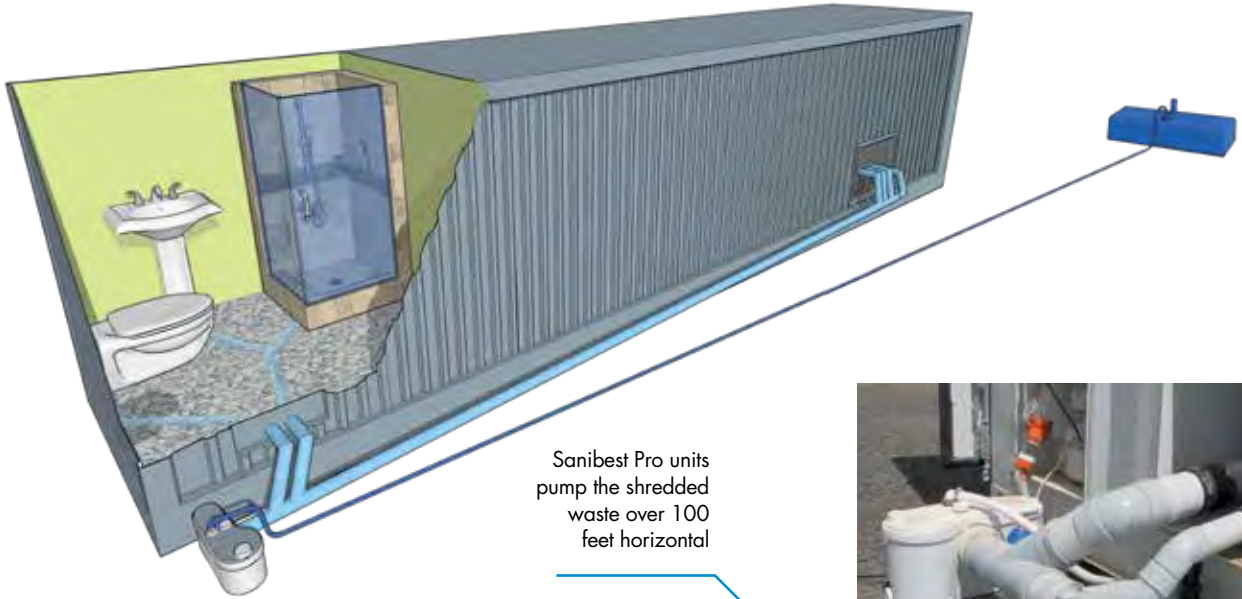


Technical drawings for the elongated front toilet (Part No. 087) showing dimensions in inches:

- Side View:** Tank width 17 3/4", total height 31", bowl height 16 3/4", base width 9 3/4".
- Front View:** Tank width 28 3/4", tank depth 8", bowl height 16 1/2", base width 10", trapway diameter 3" (ID), trapway diameter 4" (OD).
- Top View:** Bowl width 14 1/4", bowl depth 27 3/4", bowl height 18 3/4", mounting hole diameter 5/8", trapway diameter 5/8".
- Bottom View:** Bowl width 15 5/8", bowl depth 16 1/2", bowl height 8 3/4", trapway diameter 3/8", trapway diameter 8 3/4".

SFA SANIFLO IS THE KEY SOLUTION FOR WASTEWATER MANAGEMENT IN MINING CAMPS

Sanibest Pro grinders are used to pump wastewater away to holding tanks without breaking the ground. These 1 HP units are used in commercial applications or in tough environments as they are designed to handle sanitary napkins.



Sanibest Pro units pump the shredded waste over 100 feet horizontal



Fixtures from a complete bathroom are drained into the Sanibest Pro



Maintenance kept to a minimum with Sanibest Pro 1-HP grinders

CHALLENGE:

- Modular living containers are the only solution for remote temporary mining camps.
- The wastewater needs to be evacuated from each container in a proper and hygienic manner.
- Wastewater needs to travel over 100 feet into a larger tank for later removal and disposal.
- The ground cannot be disturbed and therefore gravity or sewage pit evacuation were not feasible options.



SOLUTION:

- Sanibest Pro grinders were offered. A heavy-duty reliable solution that is capable of handling several fixtures from a complete bathroom.
- Fixtures from a single container drains into each Sanibest Pro. Several pumps were needed for all the containers that were used at this site.
- The powerful Sanibest Pro pumped the shredded waste more than 100 feet horizontally into a larger tank.

Saniaccess3 macerators are installed on two floating bathhouses with six bathrooms. Macerating technology is used to avoid system failures during peak usage by the general public.



Modular bathhouse with Saniaccess3 macerating pumps



Bathroom equipped with Saniaccess3 macerator which discharges the waste through a small diameter pipe into the holding tank.



Crane used to place the bathhouse on to floats

CHALLENGE:

- Wastewater has to be discharged into a floating tank which will be pumped to a larger tank at a later time.
- Standard toilet systems wouldn't be convenient for these applications as the large diameter pipe would take too much space.
- Waste would need to be macerated prior to going into the tank to avoid blockages in the plumbing.



SOLUTION:

- The marina operator decided to use the Saniaccess3 macerators reducing the potential for clogging.
- Macerators do a great job breaking down the toilet paper and solids and pumping into the holding tank.
- Unlike other systems, the Saniaccess3 macerator is user-friendly and easy to maintain using the access covers on top of the pump.

SFA SANIFLO HELPS WHOLESALER COMPLETE A BATHROOM INSTALLATION

A Sanibest Pro grinder pump is installed in the newly constructed customer's restroom in one of the wholesaler's facilities. A very cost-saving solution for a complex installation.



Major wholesaler in the Southeast requires additional facilities



Rough-in of bathroom prior to installation of the Sanibest Pro



Completed installation in commercial bathroom

CHALLENGE:

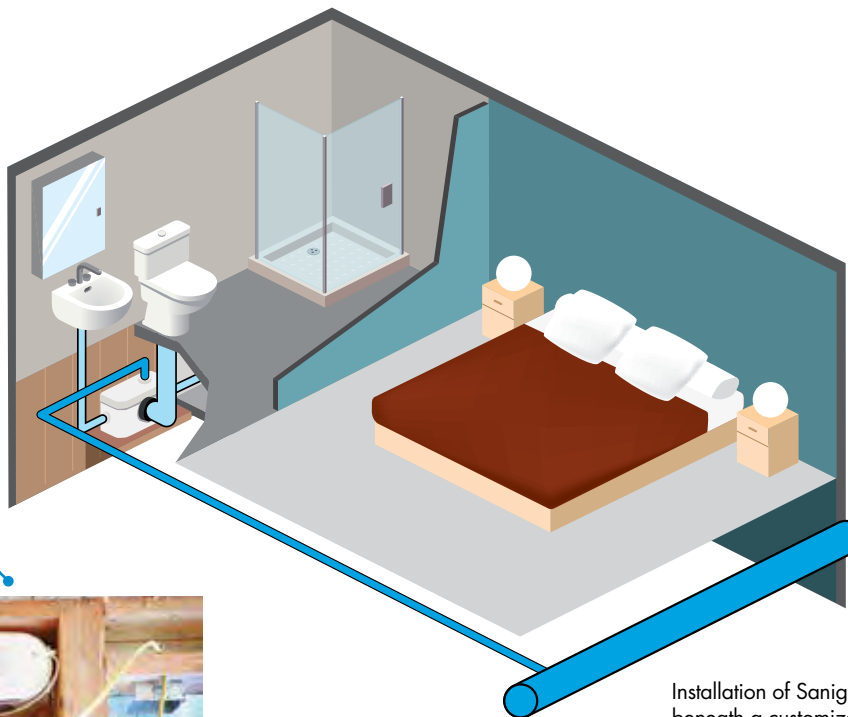
- Wholesaler expanding its premises needs to add a customer's restroom in the newly constructed area.
- The construction process which requires breaking up the floor will require closing a section of the sales counter area.
- Time and budget restrictions need to be taken into consideration for this project.



SOLUTION:

- Installing a Sanibest Pro in their new commercial restroom solved any potential plumbing-drainage problems.
- The installation of the Sanibest Pro and completion of the project was done in one day compared to the estimated 10 days required to break the floor.
- The wholesaler saved several thousand dollars by going with Saniflo's Sanibest Pro system.

Engineering students designed a net-zero energy solar powered home using a Sanigrind Pro. All their requirements were met after testing and reviewing the pump specifications.



Solar-powered independent modules with Sanigrind Pro units sit on a rail system

Installation of Sanigrind Pro system beneath a customized section of the floor



Testing of Sanigrind Pro with connecting drain pipes.



CHALLENGE:

- The design and construction of a solar-powered home with limited space to build a bathroom.
- Required a system capable of discharging the wastewater from a complete bathroom using minimal energy consumption.

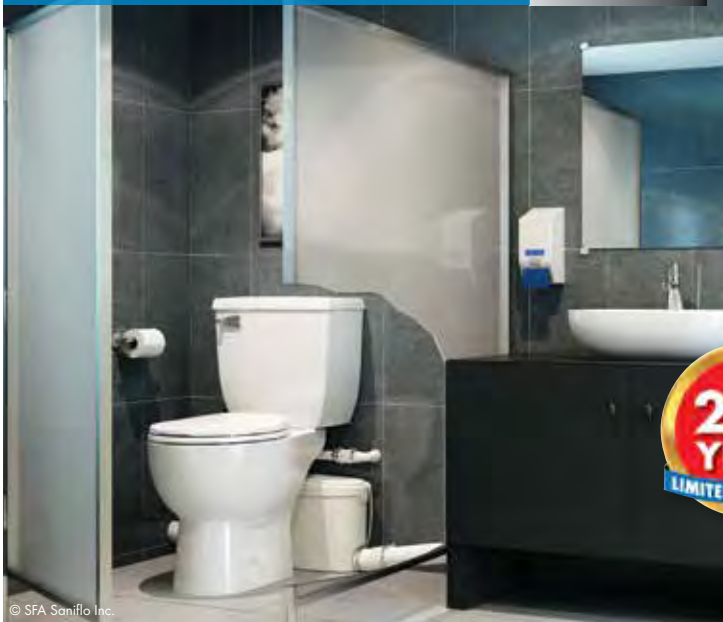
SOLUTION:

- Installation of the Sanigrind Pro allowed all bathroom fixtures to be drained into the pump system hidden underneath the floor providing extra space.
- The Sanigrind Pro lowers power consumption and saves energy by limiting the pump to 8 second cycles.



SANIBEST[®] Pro Grinder

INSTALLATION BEHIND THE TOILET



© SFA Saniflo Inc.

Example of installation. Follow local plumbing codes for actual install.

INSTALLATION BEHIND THE WALL



© SFA Saniflo Inc.

Example of installation. Follow local plumbing codes for actual install.



The **Sanibest Pro** is a **1 HP pump system** used to install a complete bathroom **up to 25 feet below the sewer line, or even up to 150 feet away** from a soil stack. It incorporates a **grinder system** which is ideal for uncontrolled environments in both residential and commercial applications (ie. rental unit, offices, warehouses, etc). The Sanibest Pro is designed **to handle sanitary products** that may have been flushed down the toilet; such may consist of condoms, sanitary napkins, q-tips, dental floss, etc.

- **Discharges the waste through a ¾" or 1" rigid pipe. A non-return valve is included** on the discharge elbow assembly provided with the system. This elbow can be rotated 360 degrees depending on the discharge installation.
- Has been designed with a **1½" vent connection** on the top of the lid. All plumbing codes require connection to a vent system. Please note that the vent system should be a two-way air vent as air needs to freely flow both ways. Note: The use of mechanical vents, air admittance valves or similar devices is not permitted.
- Must be connected to **Saniflo's 1.28 GPF rear discharge toilet**. These toilets come in round and elongated (ADA compliant) models. More technical information on page 5.
- Will also discharge gray water from any **sink, bath/shower, urinal and even a washing machine** (indirect connection). The wastewater will drain into the system via **two 2" inlets with built-in check valves** on either side of the housing. Note that when adding a bathtub/shower, the base should be raised up by a minimum of 8" off the floor.
- An **easy access service panel** is located on top of the pump. This will give you easy access to the electrical components such as the capacitor, microswitch, electronic board and membrane. For a full list of parts, please refer to the next page.

TECHNICAL SPECIFICATIONS

Pump type: Grinder

Electrical: 120 V – 60 Hz / 9 Amps (Max)

Motor: 1 HP oil-filled thermally protected motor

Capacitor rating: 60 microfarad

Operating Temperature: 104°F (110°F Max.)

Power cord length: 49 inches

Noise level: ≤ 63 dBA (Lp) (measured at 3 ft.)





Discharge pipe diameter: ¾" or 1"

Discharge rate at 25 ft: 19 GPM

Discharge rate at 3 ft: 38 GPM

Shut-off head: 38 ft.

Normal running time: 10-12s

Capacity: 3.2 gallons

Inlets: 2" (sides), 1½" vent (top)

Method of activation: Membrane/microswitch

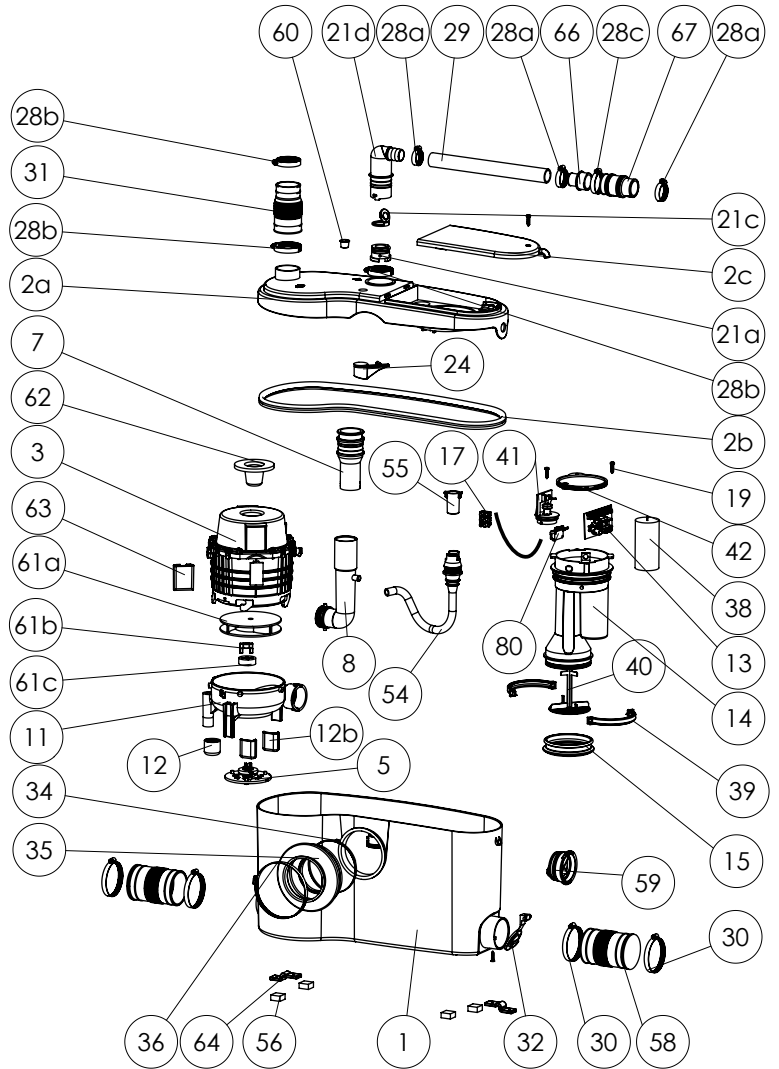
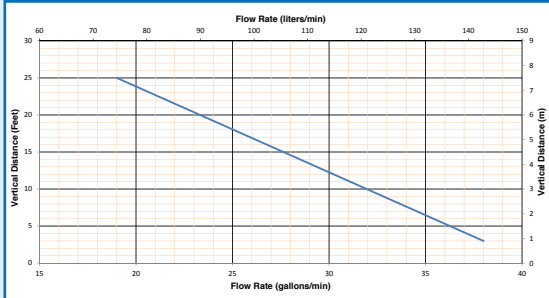
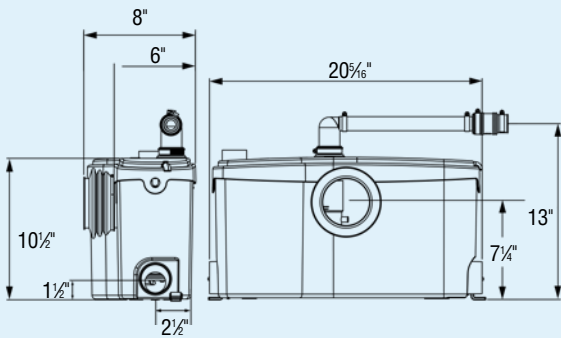
Shower/bathtub base height: 8" min

Weight: 28 lbs.

Certifying agencies: CSA (IPC, NSPC), IAPMO (UPC)

Recommended accessories: Descaler, Sanialarm

Connections: Rear outlet toilet, sink, shower/bathtub, washing machine (indirect connection via laundry sink)



PLEASE CALL US TOLL-FREE AT 800-571-8191 (US) / 800-363-5874 (CDN) TO PURCHASE PARTS REFERENCED ABOVE

Round/Elongated Bowl

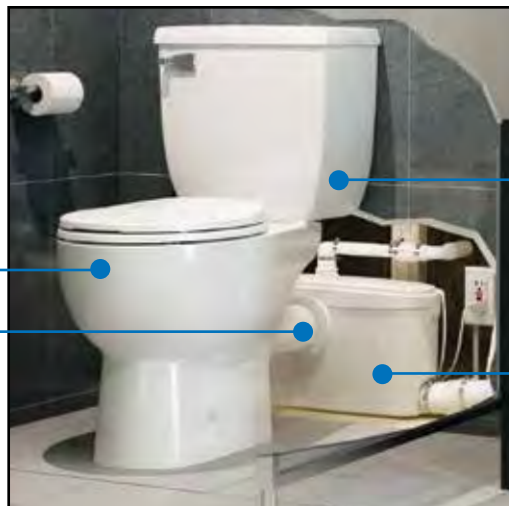
(Part No. 083 or 087)

Rear discharge toilet with 16¾" seating height (Elongated bowl is ADA compliant). For more information, please turn to page 5.

Extension Pipe (Part No. 030)

18" long PVC pipe with internal gasket used to hide the pump behind the wall. For more information, please turn to page 48.

SANIBEST[®] Pro



Toilet Tank (Part No. 005)

Insulated 1.28 GPF toilet tank equipped with all internal valves. For more information, please turn to page 5.

Sanibest Pro (Part No. 013)

1 HP grinder pump for commercial applications that is able to handle the accidental flushing of sanitary napkins from full bathroom applications.

Choose any shower, bathtub or sink and enjoy your dream bathroom.

SANIGRIND[®] Pro Grinder

FULL VIEW OF COMPLETE BATHROOM



© SFA Saniflo Inc.

Example of installation. Follow local plumbing codes for actual install.

CLOSE-UP VIEW OF PRODUCT



© SFA Saniflo Inc.

Example of installation. Follow local plumbing codes for actual install.

The **Sanigrind Pro** is a **1 HP pump system** used to install a complete bathroom **up to 25 feet below the sewer line, or even up to 150 feet away** from a soil stack. It incorporates a **grinder system** which is ideal for uncontrolled environments in both residential and commercial applications (ie. rental unit, offices, warehouses, etc). The Sanigrind Pro is designed **to handle sanitary products** that may have been flushed down the toilet; such may consist of condoms, sanitary napkins, q-tips, dental floss, etc.

- **Discharges the waste through a ¾" or 1" rigid pipe. A non-return valve is included** on the discharge elbow assembly provided with the system. This elbow can be rotated 360 degrees depending on the discharge installation.
- Has been designed with a **1½" vent connection** on the top of the lid. All plumbing codes require connection to a vent system. Please note that the vent system should be a two-way air vent as air needs to freely flow both ways. Note: The use of mechanical vents, air admittance valves or similar devices is not permitted.
- This pump is designed to be connected to **any conventional toilet with a bottom outlet** (not supplied by Saniflo). Note that there should be a minimum ¼" per foot gravity fall on the waste pipe coming from the toilet into the pump.
- Will also discharge gray water from any **sink, bath/shower, urinal and even a washing machine** (indirect connection). The wastewater will drain into the system via **two 2" inlets with built-in check valves** on either side of the housing. Note that when adding a bathtub/shower, the base should be raised up by a minimum of 8" off the floor.
- An **easy access service panel** is located on top of the pump. This will give you easy access to the electrical components such as the capacitor, microswitch, electronic board and membrane. For a full list of parts, please refer to the next page.

TECHNICAL SPECIFICATIONS

Pump type: Grinder

Electrical: 120 V – 60 Hz / 9 Amps (Max)

Motor: 1 HP oil-filled thermally protected motor

Capacitor rating: 60 microfarad

Operating Temperature: 104°F (110°F Max.)

Power cord length: 49 inches

Noise level: ≤ 63 dBA (Lp) (measured at 3 ft.)





Discharge pipe diameter: ¾" or 1"

Discharge rate at 25 ft: 19 GPM

Discharge rate at 3 ft: 38 GPM

Shut-off head: 38 ft.

Normal running time: Depends of toilet system

Capacity: 3.2 gallons

Inlets: 2" (sides), 1½" vent (top)

Method of activation: Membrane/microswitch

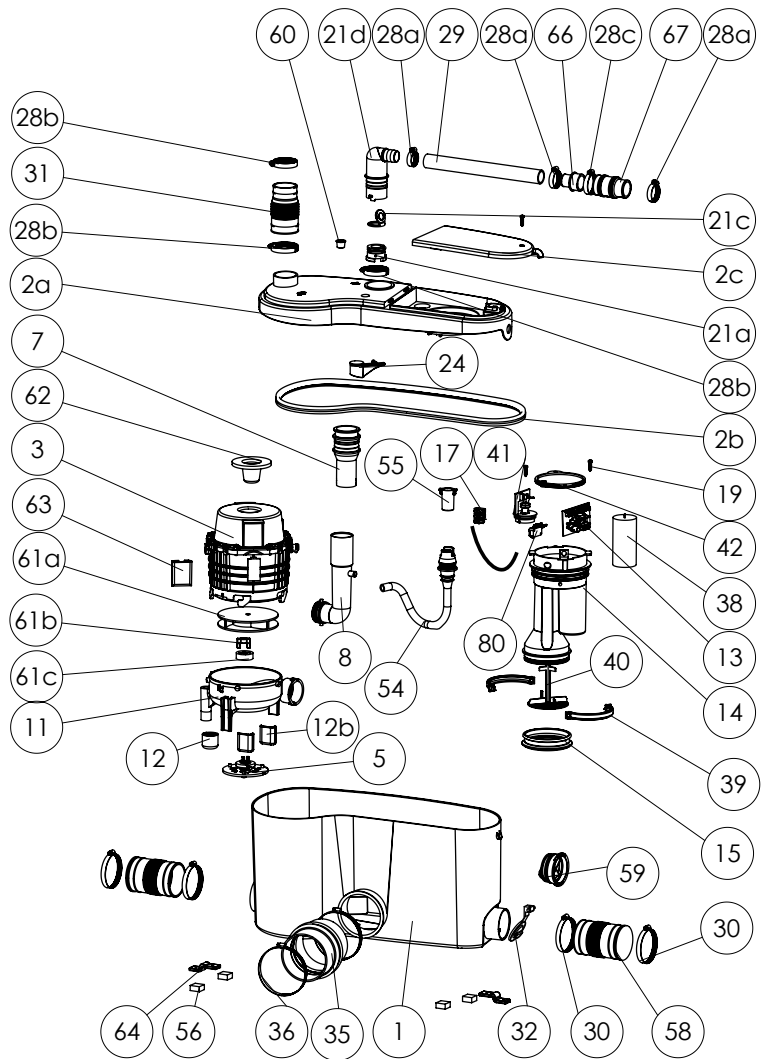
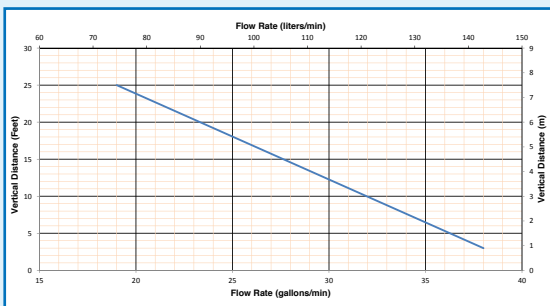
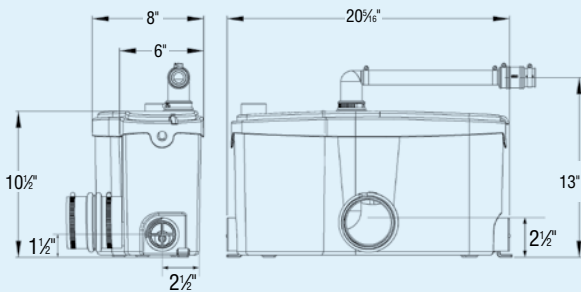
Shower/bathtub base height: 8" min

Weight: 30 lbs.

Certifying agencies: CSA (IPC, NSPC), IAPMO (UPC)

Recommended accessories: Descaler, Sanialarm

Connections: Bottom outlet toilet, sink, shower/bathtub, washing machine (indirect connection via laundry sink)



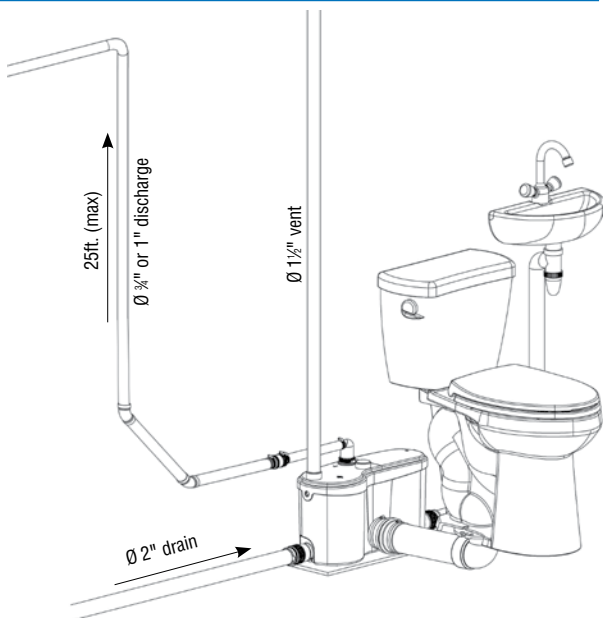
PLEASE CALL US TOLL-FREE AT 800-571-8191 (US) / 800-363-5874 (CDN) TO PURCHASE PARTS REFERENCED ABOVE

USE ANY CONVENTIONAL TOILET TO COMPLETE YOUR BATHROOM INSTALLATION

There are no limitations when it comes to designing your bathroom around the Sanigrind Pro (014) system as you can select **any conventional toilet of your choice**.

Mix and match your fixtures (shower, bathtub, sink) from other brands to complete your installation.

The unit can either be **installed on top of the floor** while the rest of the fixtures are installed on a raised platform or **you can lower the pump** eliminating the need to create a subfloor.



Choose any conventional toilet, shower, bathtub or sink and enjoy your dream bathroom.



Example of installation. Follow local plumbing codes for actual install.

Example of installation. Follow local plumbing codes for actual install.

The **Saniaccess3** is a **1/2 HP pump system** used to install a complete bathroom up to **15 feet below the sewer line, or even up to 150 feet away** from a soil stack. It incorporates a **macerating system** which can handle human waste and toilet paper in residential applications. The blade is made out of a hardened stainless steel material which **eliminates the need for any service or replacement.**

- **Discharges the waste through a 3/4" or 1" rigid pipe. A non-return valve is included** on the discharge elbow assembly provided with the system. This elbow can be rotated 360 degrees depending on the discharge installation.
- Has been designed with a **1 1/2" vent connection** on the top of the lid. All plumbing codes require connection to a vent system. Please note that the vent system should be a two-way air vent as air needs to freely flow both ways. Note: The use of mechanical vents, air admittance valves or similar devices is not permitted.
- Must be connected to **Saniflo's 1.28 GPF rear discharge toilet**. These toilets come in round and elongated (ADA compliant) models. More technical information on page 5.
- Will also discharge gray water from any **sink, bath/shower or urinal**. The wastewater will drain into the system via **two 2" inlets with built-in check valves** on either side of the housing. Note that when adding a bathtub/shower, the base should be raised up by a minimum of 6" off the floor.
- Designed with **two easy access service panels** located on top of the pump. On one side of the pump you can easily access the **electrical components and the level sensor**. The other side allows access to the macerating blade for **easy removal of foreign objects**.

TECHNICAL SPECIFICATIONS

Pump type: Macerator

Electrical: 120 V – 60 Hz / 4.5 Amps (Max)

Motor: 0.5 HP oil-filled thermally protected motor

Capacitor rating: 45 microfarad

Operating Temperature: 104°F (110°F Max.)

Power cord length: 51 inches

Noise level: ≤ 53 dBA (Lp) (measured at 3 ft.)





Discharge pipe diameter: 3/4" or 1"

Discharge rate at 15 ft: 17 GPM

Discharge rate at 3 ft: 27 GPM

Shut-off head: 30 ft.

Normal running time: 10-12s

Capacity: 3.1 gallons

Inlets: 2" (sides), 1 1/2" vent (top)

Method of activation: Membrane/microswitch

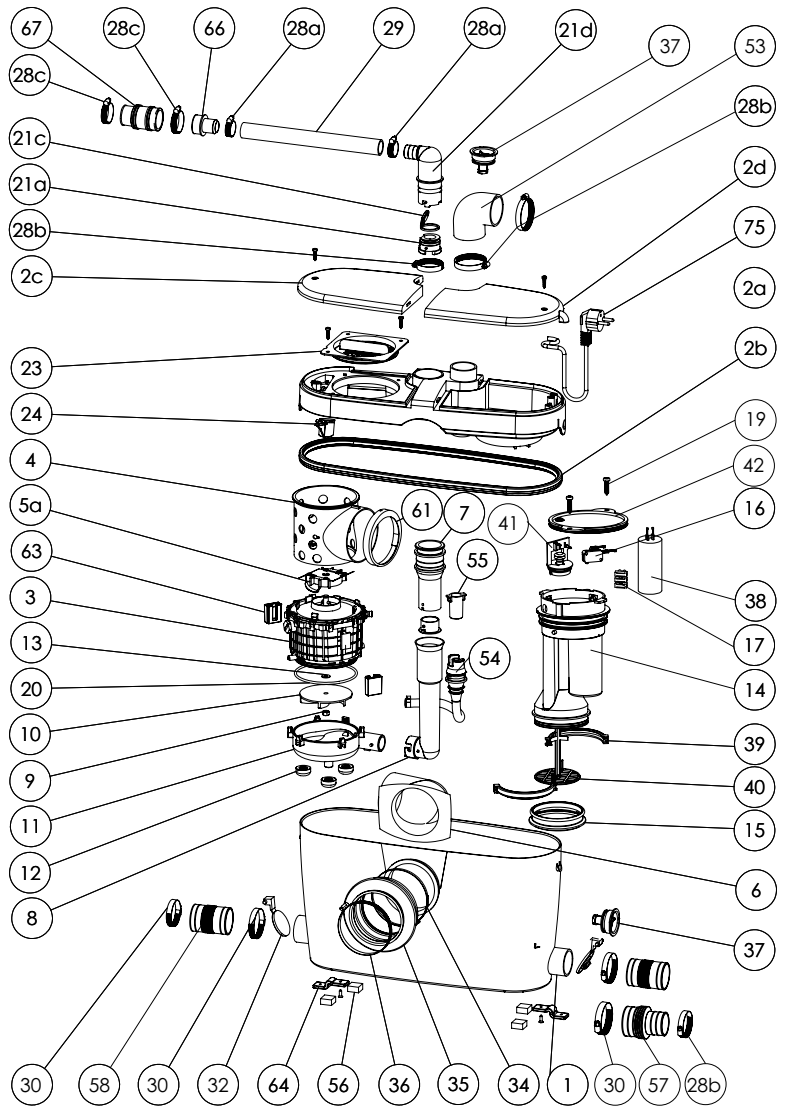
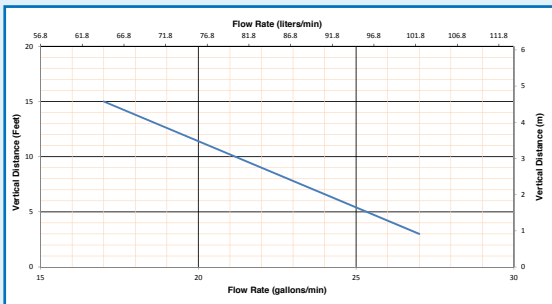
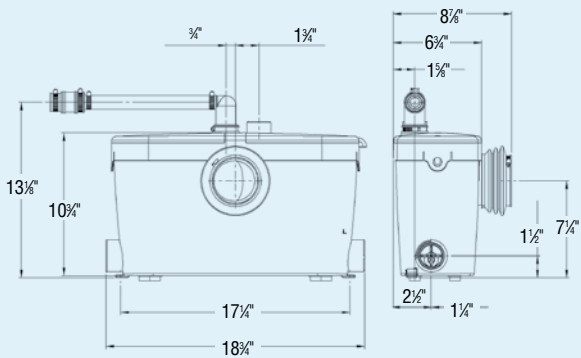
Shower/bathtub base height: 6" min

Weight: 18 lbs.

Certifying agencies: CSA (IPC, NSPC), IAPMO (UPC)

Recommended accessories: Descaler

Connections: Rear outlet toilet, sink, shower/bathtub



PLEASE CALL US TOLL-FREE AT 800-571-8191 (US) / 800-363-5874 (CDN) TO PURCHASE PARTS REFERENCED ABOVE

Round/Elongated Bowl

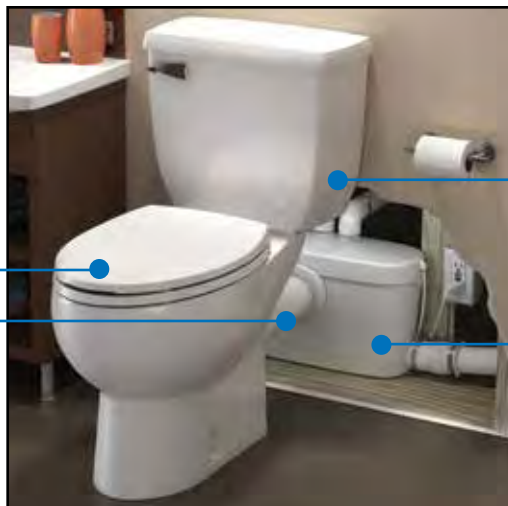
(Part No. 083 or 087)

Rear discharge toilet with 16 3/4" seating height (Elongated bowl is ADA compliant). For more information, please turn to page 5.

Extension Pipe (Part No. 030)

18" long PVC pipe with internal gasket used to hide the pump behind the wall. For more information, please turn to page 48.

SANIACCESS® 3



Toilet Tank (Part No. 005)

Insulated 1.28 GPF toilet tank equipped with all internal valves. For more information, please turn to page 5.

Saniaccess3 (Part No. 082)

1/2 HP macerating pump for residential applications. Dual service access panels for periodic maintenance and service.

Choose any shower, bathtub or sink and enjoy your dream bathroom.



Example of installation. Follow local plumbing codes for actual install.



Example of installation. Follow local plumbing codes for actual install.



The **Saniplus** is a **1/2 HP pump system** used to install a complete bathroom up to **15 feet below the sewer line, or even up to 150 feet away** from a soil stack. It incorporates a **macerating system** which can handle human waste and toilet paper in residential applications.

The blade is made out of a hardened stainless steel material which **eliminates the need for any service or replacement.**

- **Discharges the waste through a ¾" or 1" rigid pipe. A non-return valve is included** on the discharge elbow assembly provided with the system. This elbow can be rotated 360 degrees depending on the discharge installation.
- Has been designed with a **1½" vent connection** on the top of the lid. All plumbing codes require connection to a vent system. Please note that the vent system should be a two-way air vent as air needs to freely flow both ways. Note: The use of mechanical vents, air admittance valves or similar devices is not permitted.
- Must be connected to **Saniflo's 1.28 GPF rear discharge toilet**. These toilets come in round and elongated (ADA compliant) models. More technical information on page 5.
- Will also discharge gray water from any **sink, bath/shower or urinal**. The wastewater will drain into the system via **two 2" inlets with built-in check valves** on either side of the housing. Note that when adding a bathtub/shower, the base should be raised up by a minimum of 6" off the floor.

TECHNICAL SPECIFICATIONS

- Pump type:** Macerator
- Electrical:** 120 V – 60 Hz / 4.5 Amps (Max)
- Motor:** 0.5 HP oil-filled thermally protected motor
- Capacitor rating:** 45 microfarad
- Operating Temperature:** 104°F (110°F Max.)
- Power cord length:** 47½ inches
- Noise level:** ≤ 53 dBA (Lp) (measured at 3 ft.)





Discharge pipe diameter: ¾" or 1"

Discharge rate at 15 ft: 17 GPM

Discharge rate at 3 ft: 27 GPM

Shut-off head: 30 ft.

Normal running time: 10-12s

Capacity: 3 gallons

Inlets: 2" (sides), 1½" vent (top)

Method of activation: Membrane/microswitch

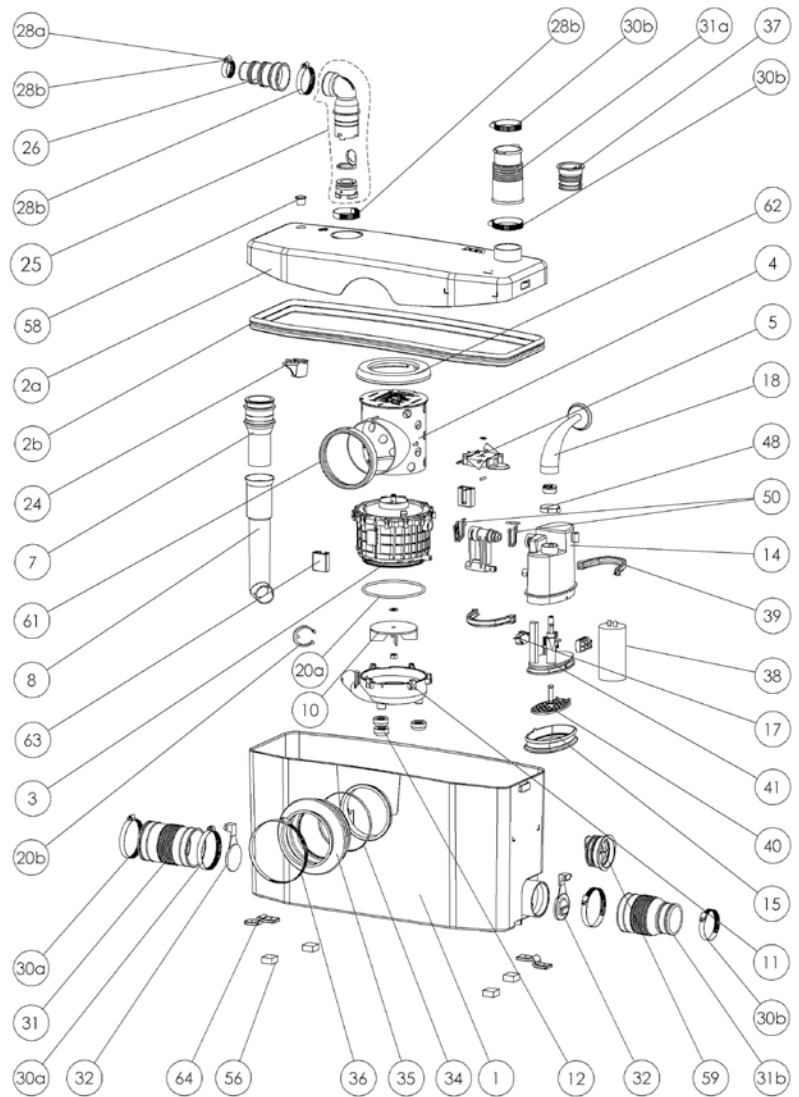
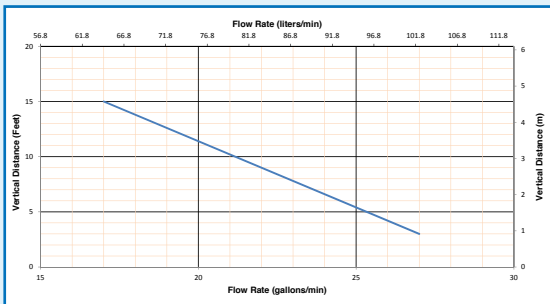
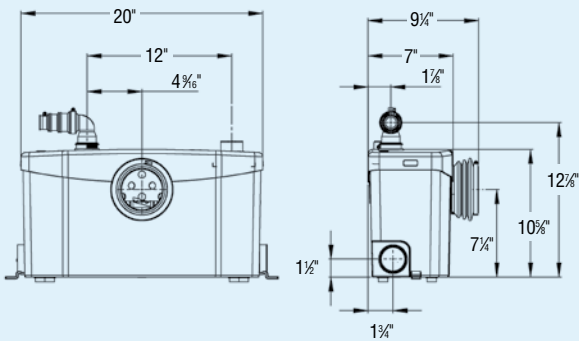
Shower/bathtub base height: 6" min

Weight: 18 lbs.

Certifying agencies: CSA (IPC, NSPC), IAPMO (UPC)

Recommended accessories: Descaler, Sanialarm

Connections: Rear outlet toilet, sink, shower/bathtub



PLEASE CALL US TOLL-FREE AT 800-571-8191 (US) / 800-363-5874 (CDN) TO PURCHASE PARTS REFERENCED ABOVE

Round/Elongated Bowl

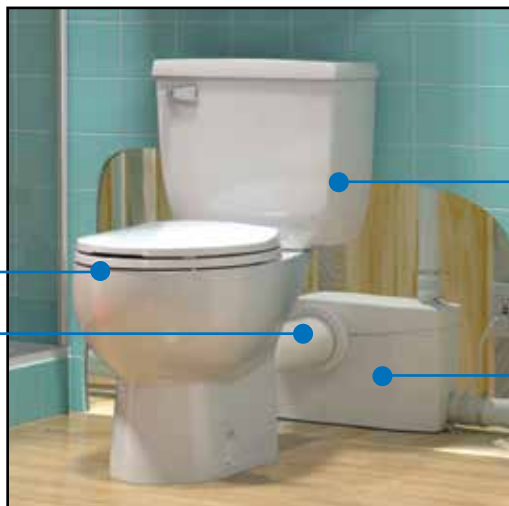
(Part No. 083 or 087)

Rear discharge toilet with 16¾" seating height (Elongated bowl is ADA compliant). For more information, please turn to page 5.

Extension Pipe (Part No. 030)

18" long PVC pipe with internal gasket used to hide the pump behind the wall. For more information, please turn to page 48.

SANIPLUS®



Toilet Tank (Part No. 005)

Insulated 1.28 GPF toilet tank equipped with all internal valves. For more information, please turn to page 5.

Saniplus (Part No. 002)

1/2 HP macerating pump for residential applications. Ideal for creating a complete bathroom in a basement, attic, garage, pool house, etc.



© SFA Saniflo Inc.
Example of installation. Follow local plumbing codes for actual install.



© SFA Saniflo Inc.
Example of installation. Follow local plumbing codes for actual install.

The **Sanipack is a 1/2 HP pump system** used to install a complete bathroom up to **15 feet below the sewer line, or even up to 150 feet away** from a soil stack. It incorporates **a macerating system** which can handle human waste and toilet paper in residential applications. The blade is made out of a hardened stainless steel material **which eliminates the need for any service or replacement.**

- **Discharges the waste through a 3/4" or 1" rigid pipe. A non-return valve is included** on the discharge elbow assembly provided with the system. This elbow can be rotated 360 degrees depending on the discharge installation.
- Has been designed with a **1 1/2" vent connection** on the top of the lid. All plumbing codes require connection to a vent system. Please note that the vent system should be a two-way air vent as air needs to freely flow both ways. Note: The use of mechanical vents, air admittance valves or similar devices is not permitted.
- This pump is designed to be connected to **any wall-hung toilet** (not supplied by Saniflo). Note that there should be a minimum 1/4" per foot gravity fall on the waste pipe coming from the toilet into the pump.
- Will also discharge gray water from any **sink, shower or urinal**. The wastewater will drain into the system via **two 1 1/2" inlets with built-in check valves** on either side of the housing. Note that when adding a shower, the base should be raised up by a minimum of 6" off the floor.

TECHNICAL SPECIFICATIONS

Pump type: Macerator

Electrical: 110 V – 60 Hz / 4.5 Amps (Max)

Motor: 0.5 HP oil-filled thermally protected motor

Capacitor rating: 45 microfarad

Operating Temperature: 104°F (110°F Max.)

Power cord length: 48 inches

Noise level: ≤ 53 dBA (Lp) (measured at 3 ft.)





Discharge pipe diameter: ¾" or 1"

Discharge rate at 15 ft: 17 GPM

Discharge rate at 3 ft: 27 GPM

Shut-off head: 30 ft.

Normal running time: Depends of toilet system

Capacity: 3.5 gallons

Inlets: 1½" (sides), 1½" vent (top)

Method of activation: Membrane/microswitch

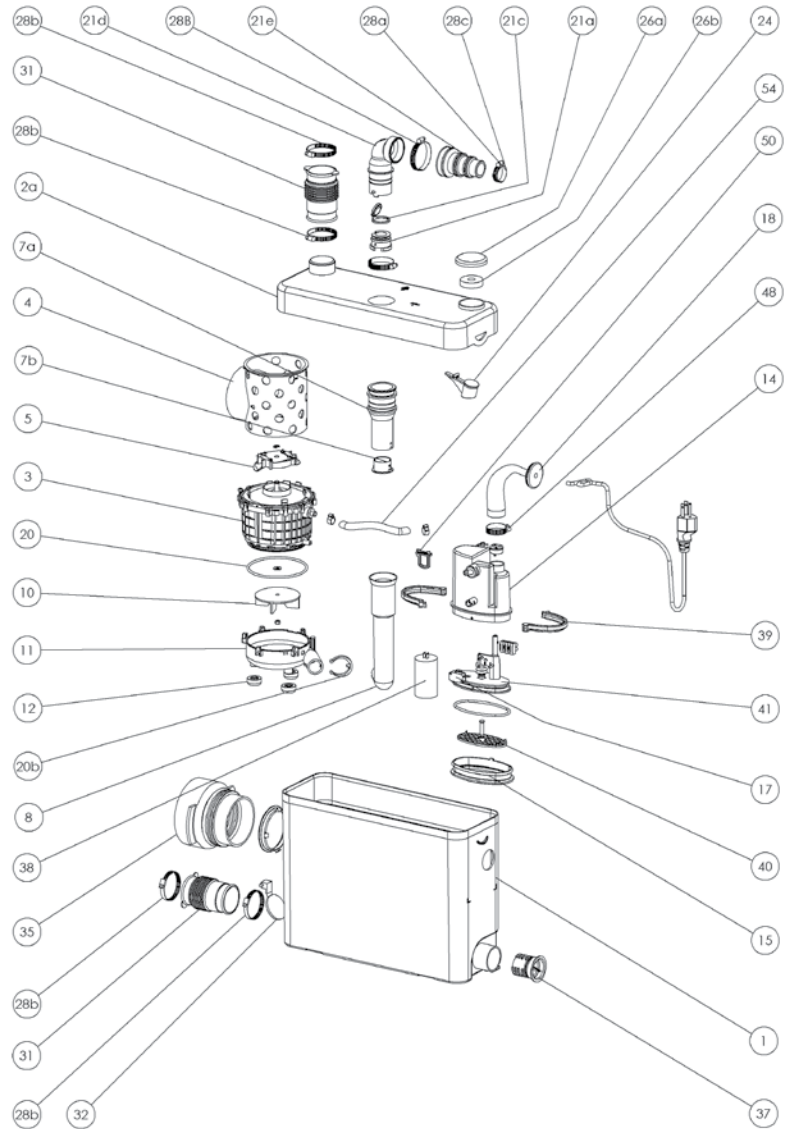
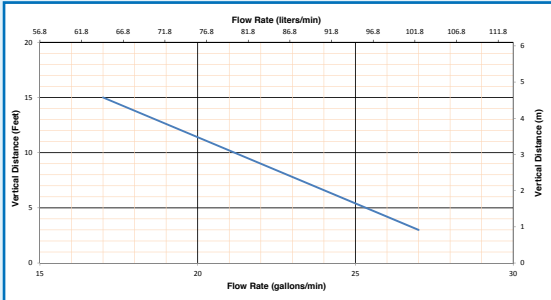
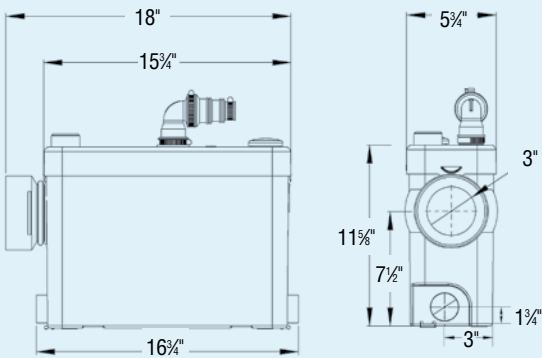
Shower base height: 6" min

Weight: 17 lbs.

Certifying agencies: CSA (IPC, NSPC), IAPMO (UPC)

Recommended accessories: Descaler, Sanialarm

Connections: Wall-hung toilet, sink, shower



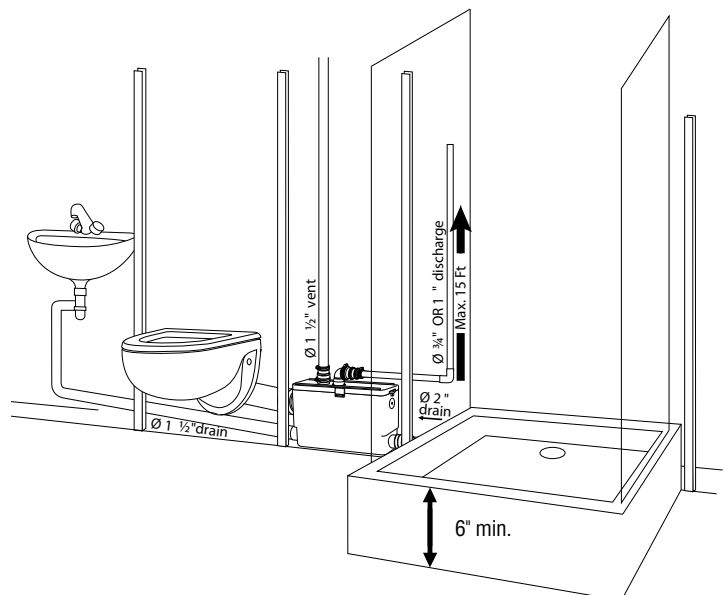
PLEASE CALL US TOLL-FREE AT 800-571-8191 (US) / 800-363-5874 (CDN) TO PURCHASE PARTS REFERENCED ABOVE

USE ANY WALL-HUNG TOILET TO COMPLETE YOUR BATHROOM INSTALLATION

There are no limitations when it comes to designing your bathroom around the Sanipack (011) system as you can select **any wall-hung toilet of your choice.**

Mix and match your fixtures (shower, sink) from other brands to complete your installation.

The macerating system is **easy to conceal as it can be installed behind or even in-between walls.** This type of installation gives you the clean look of a European bathroom.



Choose any wall-hung toilet, shower or sink and enjoy your dream bathroom.



Example of installation. Follow local plumbing codes for actual install.

Example of installation. Follow local plumbing codes for actual install.

The **Saniaccess2** is a **1/2 HP pump system** used to install a half-bathroom up to **15 feet below the sewer line, or even up to 150 feet away** from a soil stack. It incorporates a **macerating system** which can handle human waste and toilet paper in residential applications. The blade is made out of a hardened stainless steel material which **eliminates the need for any service or replacement**.

- **Discharges the waste through a 3/4" or 1" rigid pipe. A non-return valve is included** on the discharge elbow assembly provided with the system. This elbow can be rotated 360 degrees depending on the discharge installation.
- Has been designed with a **1 1/2" vent connection** on the side of the pump housing. All plumbing codes require connection to a vent system. Please note that the vent system should be a two-way air vent as air needs to freely flow both ways. Note: The use of mechanical vents, air admittance valves or similar devices is not permitted.
- Must be connected to **Saniflo's 1.28 GPF rear discharge toilet**. These toilets come in round and elongated (ADA compliant) models. More technical information on page 5.
- Will also discharge **gray water from a sink**. The wastewater will drain into the system via a **1 1/2" inlet** which is located on the side of the pump housing. Note that either side connection can be used for the vent or as an inlet.
- Designed with two **easy access service panels** located on top of the pump. On one side of the pump you can easily access the **electrical components and the level sensor**. The other side allows access to the macerating blade for **easy removal of foreign objects**.



TECHNICAL SPECIFICATIONS

Pump type: Macerator

Electrical: 120 V – 60 Hz / 4.5 Amps (Max)

Motor: 0.5 HP oil-filled thermally protected motor

Capacitor rating: 45 microfarad

Operating Temperature: 104°F (110°F Max.)

Power cord length: 51 inches

Noise level: ≤ 53 dBA (Lp) (measured at 3 ft.)

* Either inlet can be used as a vent or as a drain inlet.



Discharge pipe diameter: 3/4" or 1"

Discharge rate at 15 ft: 17 GPM

Discharge rate at 3 ft: 27 GPM

Shut-off head: 30 ft.

Normal running time: 10-12s

Capacity: 2.3 gallons

Inlets: 1 1/2" (side), 1 1/2" vent (side)

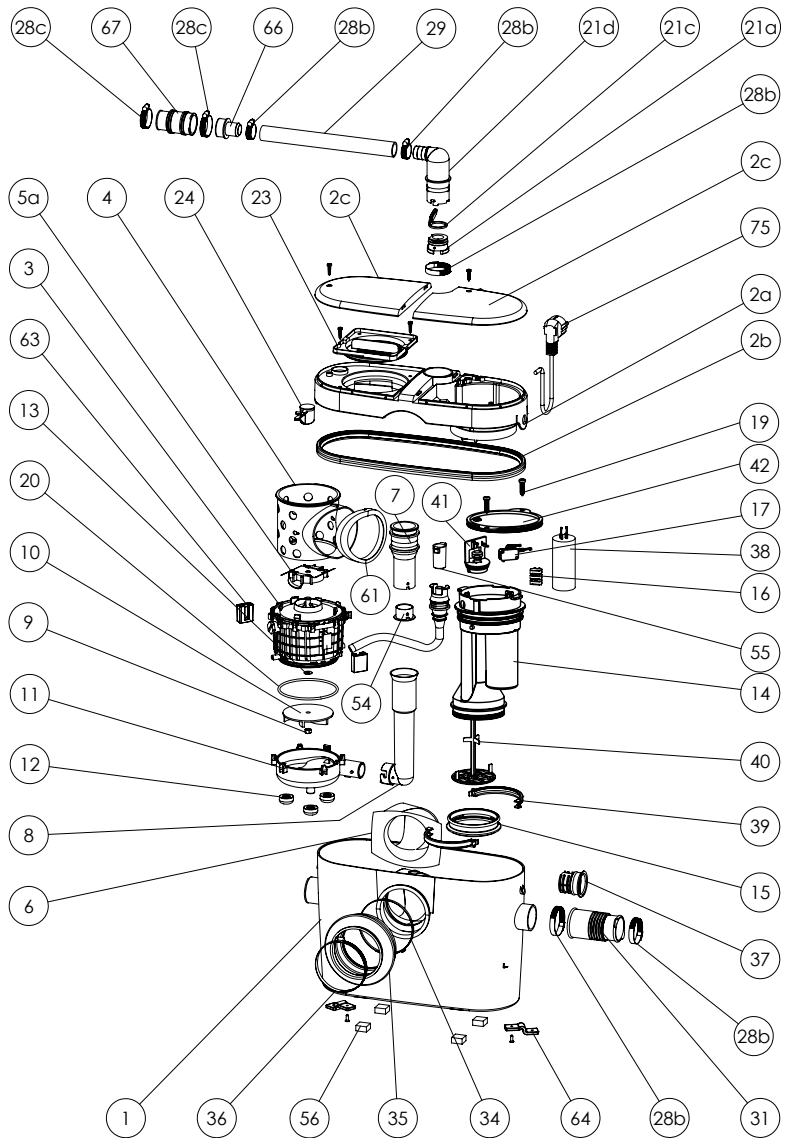
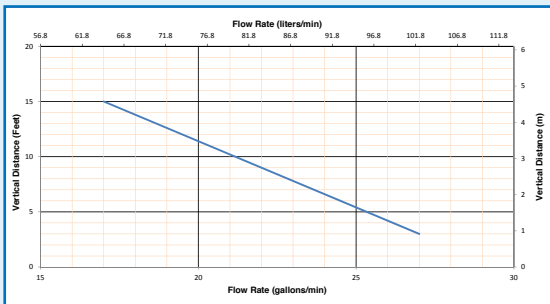
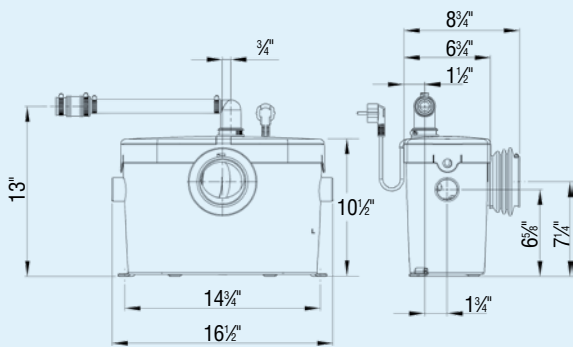
Method of activation: Membrane/microswitch

Weight: 15 lbs.

Certifying agencies: CSA (IPC, NSPC), IAPMO (UPC)

Recommended accessories: Descaler

Connections: Rear outlet toilet, sink



PLEASE CALL US TOLL-FREE AT 800-571-8191 (US) / 800-363-5874 (CDN) TO PURCHASE PARTS REFERENCED ABOVE

Round/Elongated Bowl

(Part No. 083 or 087)

Rear discharge toilet with 16 3/4" seating height (Elongated bowl is ADA compliant). For more information, please turn to page 5.

Extension Pipe (Part No. 030)

18" long PVC pipe with internal gasket used to hide the pump behind the wall. For more information, please turn to page 48.

SANIACCESS® 2



Toilet Tank (Part No. 005)

Insulated 1.28 GPF toilet tank equipped with all internal valves. For more information, please turn to page 5.

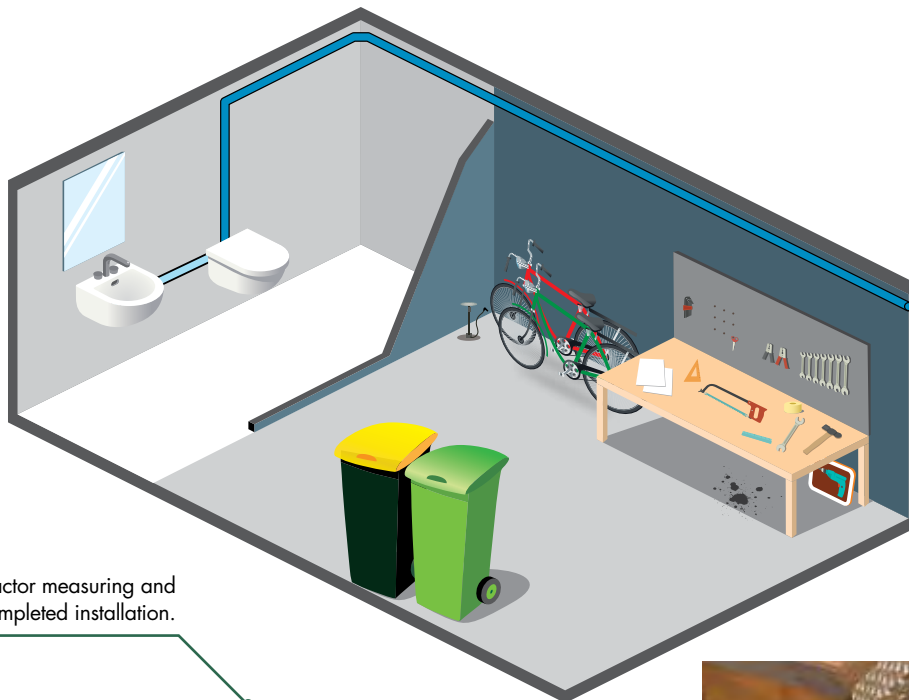
Saniaccess2 (Part No. 081)

Macerating pump for residential applications. Ideal for creating a half-bathroom in a basement, attic, garage, pool house, etc.

Choose any sink and enjoy your dream half-bathroom.

SFA SANIFLO PROVIDES HOMEOWNER WITH MONEY-SAVING SOLUTION IN WAKE OF HURRICANE

Homeowner created a new half-bathroom below the drain using Saniflo's above-floor macerating technology while saving money in the process. Self-contained system allowed the installation to be completed in less than a day.



Plumbing contractor measuring and testing the completed installation.



A half-bathroom is easily constructed using Saniflo's Sanistar self-contained pump and toilet system.



CHALLENGE:

- The construction of a new halfbathroom below the main drain line without the use of below-ground pump systems.
- The coastal house is located in a flood prone area. Requires an elevated pumping system to help prevent future damages..
- Limited budget provided from federal funds.

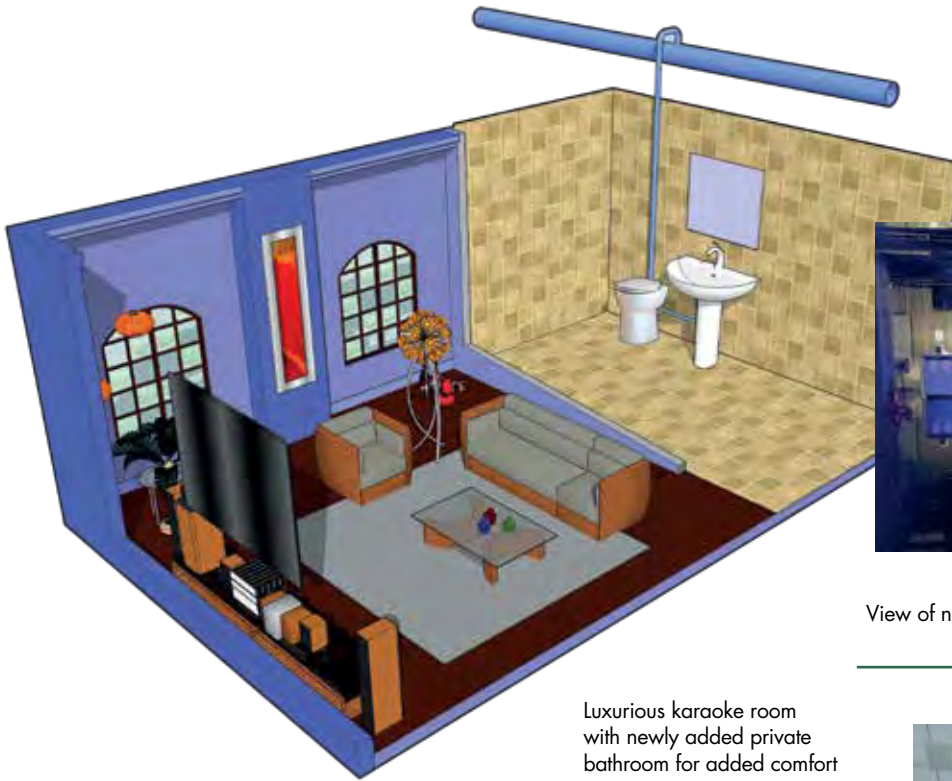


SOLUTION:

- The Sanistar system macerates the waste and pumps it into the main drain line eliminating the need of large diameter pipes.
- The wall-hung toilet and pump system is elevated off the floor which helps eliminate the possibility of future damages due to minor flooding.
- The cost of installation of the Sanistar system kept the homeowner from using out-of-pocket money.

SFA SANIFLO HELPS INSTALLATION OF ADDITIONAL TOILETS IN TIGHT SPACES

Many karaoke bars have adopted the flexibility of macerators to design comfortable rooms with private restrooms. These space-saving self-contained toilets are cost effective and very efficient.



Luxurious karaoke room with newly added private bathroom for added comfort



View of newly updated entrance of the karaoke bar



Sink connected to Sanicompact macerating toilet and pump system.

CHALLENGE:

- Owners of these karaoke entertainment bars often want to use empty small spaces in high-rise buildings to install restrooms.
- Space is limited for the construction and installation of a standard toilet.
- As with most high-rise buildings, sewer lines are situated some distance away from where the toilet can be installed.



SOLUTION:

- The Sanicompact floor-mounted macerating pump and toilet system is installed to create a half-bathroom. This tankless toilet system requires minimum space for installation.
- There was minimum disruption to the business while building the bathroom as there was no need to break the concrete.
- Several private bathrooms were installed using above-the-floor technology from Saniflo.

FRONT VIEW OF INSTALLATION



© SFA Saniflo Inc.
Example of installation. Follow local plumbing codes for actual install.

REAR VIEW FROM BEHIND THE WALL



© SFA Saniflo Inc.
Example of installation. Follow local plumbing codes for actual install.

The **Sanicompact** is a **self-contained dual-flush toilet system** used to install a half-bathroom up to **9 feet below the sewer line, or even up to 120 feet away** from a soil stack. It incorporates a **macerating system** which can handle human waste and toilet paper in residential applications. The blade is made out of a hardened stainless steel material which **eliminates the need for any service or replacement**.

- **Discharges the waste through a 1" rigid pipe. A non-return valve is included** on the discharge elbow assembly provided with the system. This elbow can be rotated 360 degrees depending on the discharge installation.
- Has been designed with an internal one-way vent built into the system which **eliminates the need to have an external vent pipe**.
Note: Check with your local plumbing codes for more information.
- The **standard dual flush version uses 1.28 gpf or 1 gpf**. This option allows using less water than any regular toilet but with the same efficiency. By pressing the push button, this activates a timer and a solenoid valve in order to fill and wash the sides of the bowl. The motor then starts and the waste and paper are sucked inside where it is macerated and pumped away. The timer is programmed to refill the bowl with fresh water after every cycle.
- Will also discharge **gray water from a sink**. The wastewater drains into a 1/4" hose connection in back of the toilet.

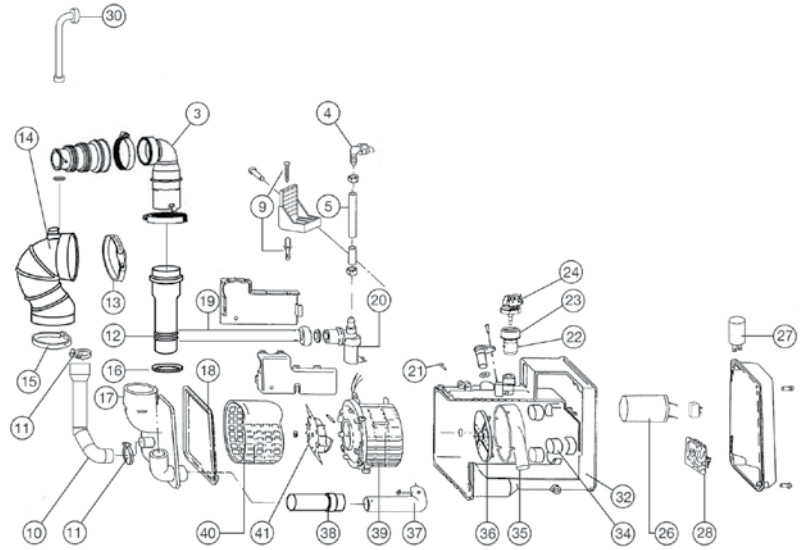
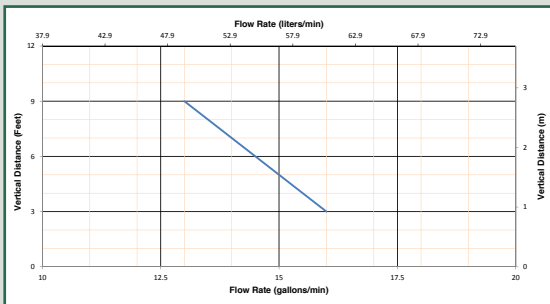
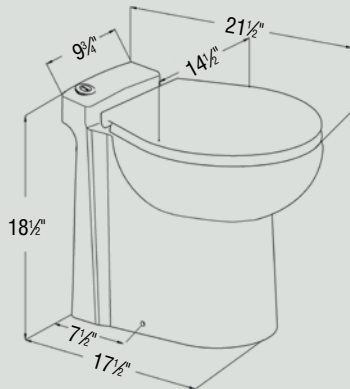
TECHNICAL SPECIFICATIONS

Pump type: Macerator
Electrical: 120 V – 60 Hz / 7.2 Amps (Max)
Motor: 0.3 HP oil-filled thermally protected motor
Capacitor rating: 2 x 25 microfarad
Operating Temperature: 95°F (110°F Max.)
Power cord length: 50 inches
Noise level: ≤ 53 dBA (Lp) (measured at 3 ft.)





- Discharge pipe diameter:** 1"
- Discharge rate at 9 ft:** 13 GPM
- Discharge rate at 3 ft:** 16 GPM
- Normal running time:** 24 sec (18 sec ECO mode)
- Capacity:** 0.8 gallons
- Inlets:** 1 1/4" sink connection (on motor case)
- Method of activation:** Push button/circuit board
- Weight:** 65 lbs. (Bowl with motor)
- Certifying agencies:** CSA (IPC, NSPC)
- Recommended accessories:** Descaler
- Connection:** Sink



PLEASE CALL US TOLL-FREE AT 800-571-8191 (US) / 800-363-5874 (CDN) TO PURCHASE PARTS REFERENCED ABOVE

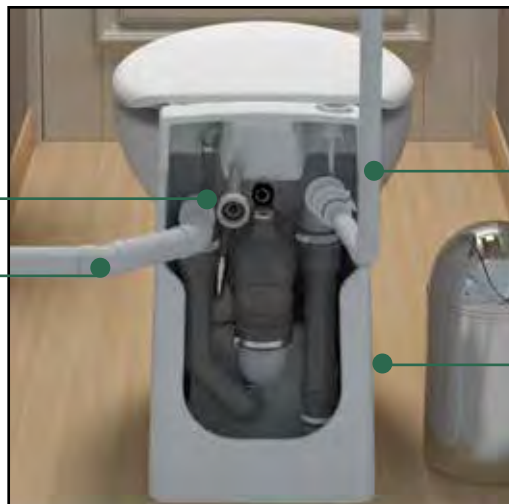
Water Supply

The system is provided with a water supply hose for easy connection. All that is needed is a 3/8" compression fitting (not included).

Sink Drain

The system is provided with a rubber hose that connects to a 1 1/4" drain pipe. The system automatically discharges gray water independently from toilet operation.

SANICOMPACT®



Discharge Pipe

It only requires a 1" pipe. The system is provided with a discharge elbow with a built-in check valve.

Sanicompact (Part No. 023)

Dual-flush tankless toilet system (1 GPF/1.28 GPF) is ideal for tight spots. Floor mounted toilet includes soft-close toilet seat. It connects to a standard 120V GFCI power outlet.

Choose any sink and enjoy your dream half-bathroom.



© SFA Saniflo Inc.
Example of installation. Follow local plumbing codes for actual install.

© SFA Saniflo Inc.
Example of installation. Follow local plumbing codes for actual install.

The **Sanistar** is a **self-contained dual-flush toilet system** used to install a half-bathroom up to **9 feet below the sewer line, or even up to 100 feet away** from a soil stack. It incorporates a **macerating system** which can handle human waste and toilet paper in residential applications. The blade is made out of a hardened stainless steel material which **eliminates the need for any service or replacement.**

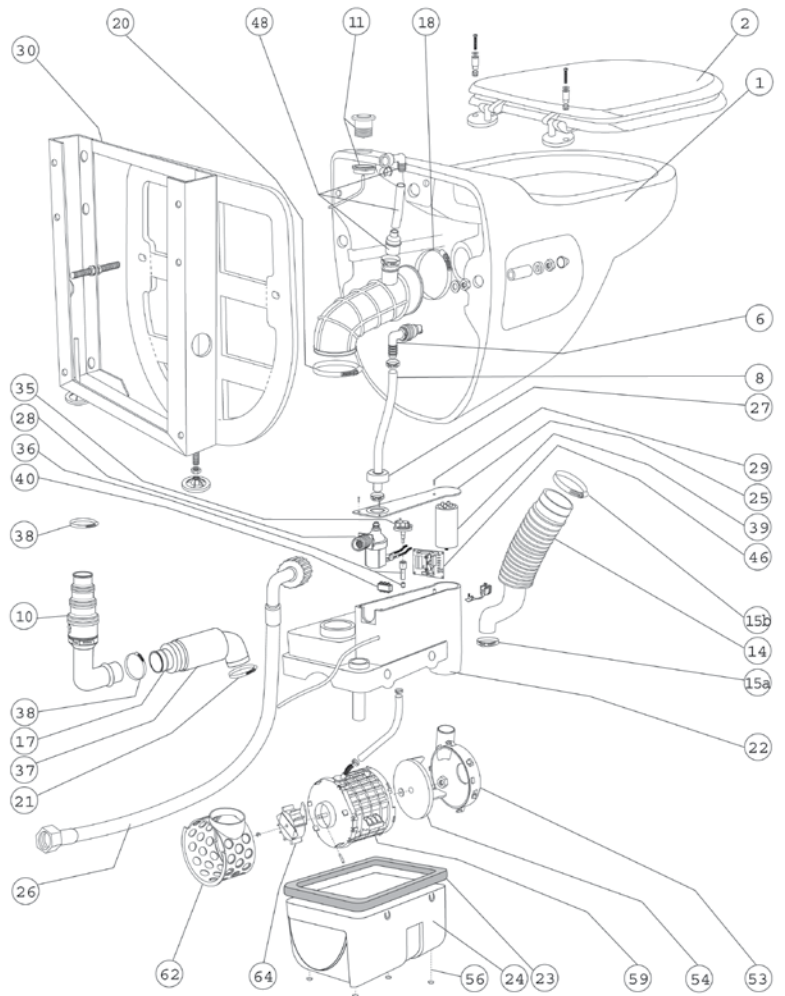
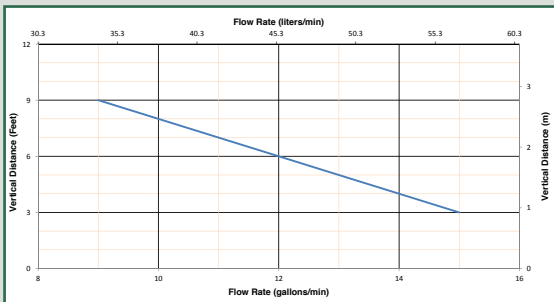
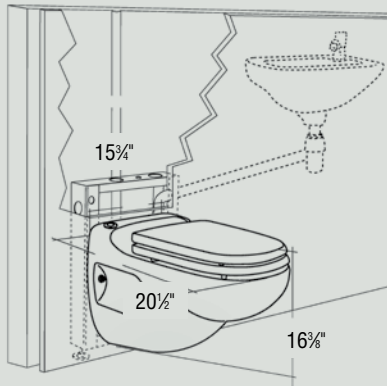
- **Discharges the waste through a 1" rigid pipe. A non-return valve is included** on the discharge elbow assembly provided with the system. This elbow can be rotated 360 degrees depending on the discharge installation.
- Has been designed with an internal one-way vent built into the system **which eliminates the need to have an external vent pipe.**
Note: Check with your local plumbing codes for more information.
- The **standard dual flush version uses 1.28 gpf or 1 gpf.** This option allows using less water than any regular toilet but with the same efficiency. By pressing the push button, this activates a timer and a solenoid valve in order to fill and wash the sides of the bowl. The motor then starts and the waste and paper are sucked inside where it is macerated and pumped away. The timer is programmed to refill the bowl with fresh water after every cycle.
- Will also discharge **gray water from a sink.** The wastewater drains into a 1¼" hose connection in back of the toilet.

TECHNICAL SPECIFICATIONS	
Pump type:	Macerator
Electrical:	120 V – 60 Hz / 9 Amps (Max)
Motor:	0.4 HP oil-filled thermally protected motor
Capacitor rating:	2 x 25 microfarad
Operating Temperature:	95°F (110°F Max.)
Power cord length:	51½ inches
Noise level:	≤ 53 dBA (Lp) (measured at 3 ft.)





- Discharge pipe diameter:** 1"
- Discharge rate at 9 ft:** 9 GPM
- Discharge rate at 3 ft:** 15 GPM
- Normal running time:** 24 sec (18 sec ECO mode)
- Capacity:** 0.8 gallons
- Inlets:** 1 1/4" sink connection (on motor case)
- Method of activation:** Push button/circuit board
- Weight:** 76 lbs. (Bowl with motor)
- Certifying agencies:** CSA (IPC, NSPC)
- Recommended accessories:** Descaler
- Connection:** Sink



PLEASE CALL US TOLL-FREE AT 800-571-8191 (US) / 800-363-5874 (CDN) TO PURCHASE PARTS REFERENCED ABOVE

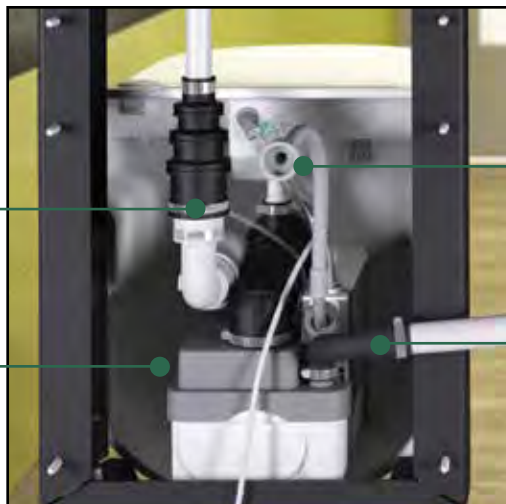
SANISTAR®

Discharge Pipe

It only requires a 1" pipe. The system is provided with a discharge elbow with a built-in check valve.

Sanistar (Part No. 012)

Dual-flush tankless toilet system flushes 1 GPF/1.28 GPF (carrier included). Wall-hung toilet includes soft-close toilet seat. It connects to a standard 120V GFCI power outlet.



Water Supply

The system is provided with a water supply hose for easy connection. All that is needed is a 3/8" compression fitting (not included).

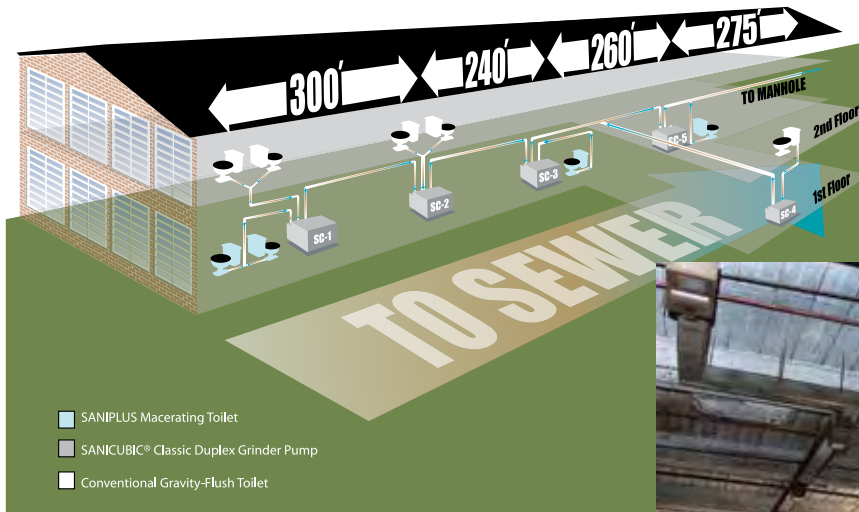
Sink Drain

The system is provided with a rubber hose that connects to a 1 1/4" drain pipe. The system automatically discharges gray water independently from toilet operation.

Choose any sink and enjoy your dream half-bathroom.

SFA SANIFLO HELPS WITH RESTORATION OF 19th CENTURY REMINGTON RAND BUILDING

After the building was taken over by the city, it went through a renovation process which required the building to safely dispose of the sewage. Many Saniflo systems were used in different sections of the building.



Over 900 feet of horizontal discharge pipe throughout the ceiling of the entire building



Renovated Remington Rand building in the city of Middletown, CT

High ceilings in the building required a strong pumping system



CHALLENGE:

- When the building was constructed in the early 1900s, the sewage was disposed in the nearby river which is now prohibited.
- Breaking the concrete to install a pump system was not possible as the land was too contaminated.
- The distance for the waste to travel using traditional gravity was too great as it would require more than 20 feet of drop.

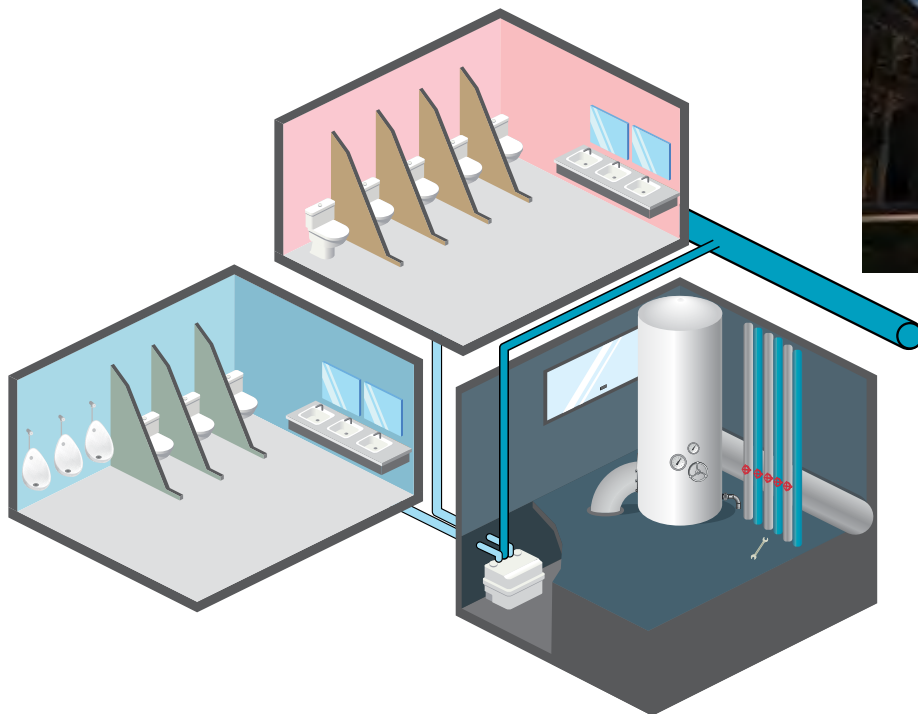


SOLUTION:

- Sanicubic 2 systems were installed to grind the waste and pump it throughout the building into a manhole.
- Installation above-the-ground eliminated the hassle of breaking concrete.
- The Saniflo systems saved the city money during the restoration process while also reducing the time spent on this project.

SFA SANIFLO SYSTEMS REPLACE FAILING SEWAGE PUMPS AT FORDHAM UNIVERSITY IN NYC

Sewage ejector systems were used at the main library to discharge the wastewater from several toilets into their main sewer line. One Sanicubic 2 grinder pump was installed to replace these failing sewage systems.



Walsh Library at Fordham University in the Bronx, NY

Plumbing contractor's research helped solve the ongoing sewage system issue



Sanicubic 2 grinder pump installed inside a pit where several bathrooms drained into the pump



CHALLENGE:

- Existing sewage systems were regularly clogging up.
- Servicing a failed pump was difficult being submerged under several feet of wastewater.
- A new pumping system was needed which had to be powerful enough to handle several fixtures from many bathrooms.

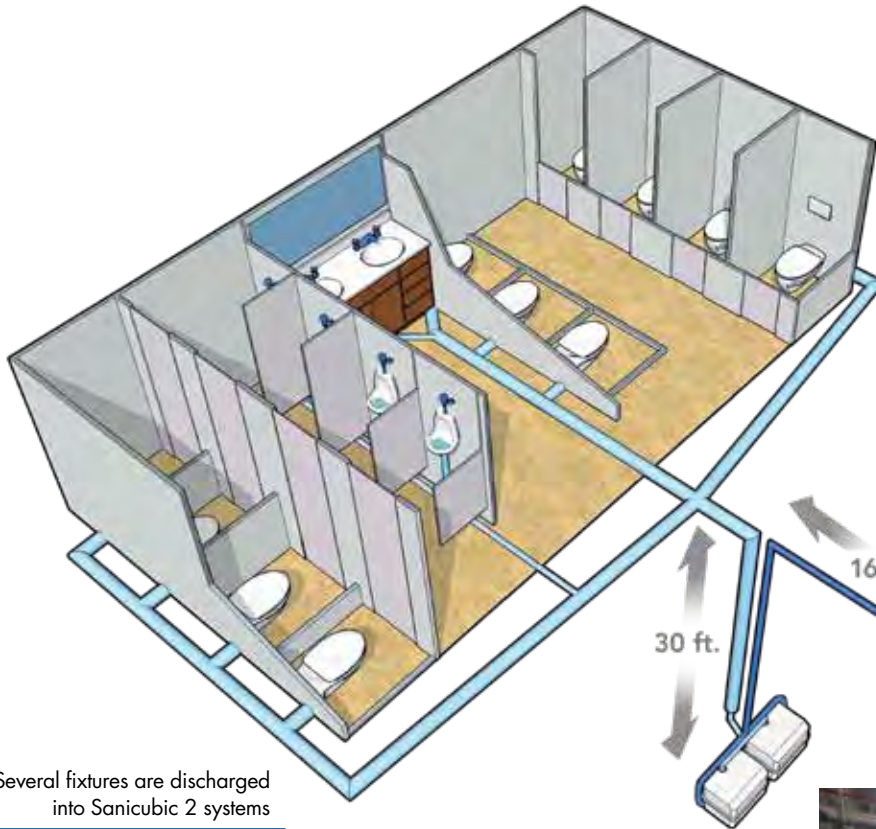


SOLUTION:

- Sanicubic 2 was retrofitted inside the existing pit. Minimum pipe work was required to complete the installation.
- Alternating 1 HP grinder pumps eliminated the failures that were a common occurrence with the original sewage pumps.
- One Sanicubic 2 system replaced two sewage pumps as a comparable without any issues.

SFA SANIFLO PRAISED FOR PROVIDING SOLUTION IN A SEMI-CONDUCTOR PLANT

Saniflo's powerful and efficient above-the-floor technology allowed restrooms to be easily installed in a high-tech semi-conductor plant, handling several fixtures at peak office hours.



Semi-conductor building plant



Several fixtures are discharged into Sanicubic 2 systems



Mechanical room with two Sanicubic 2 grinder pumps installed

CHALLENGE:

- Several restrooms with over 15 toilets, urinals and sinks had to be installed in the upper floor of the office building.
- Sump pumps were not suitable to discharge the wastewater because of large diameter pipes, noise, and lack of space.
- The pump had to be powerful enough to pump 30 ft vertical and 160 ft across.



SOLUTION:

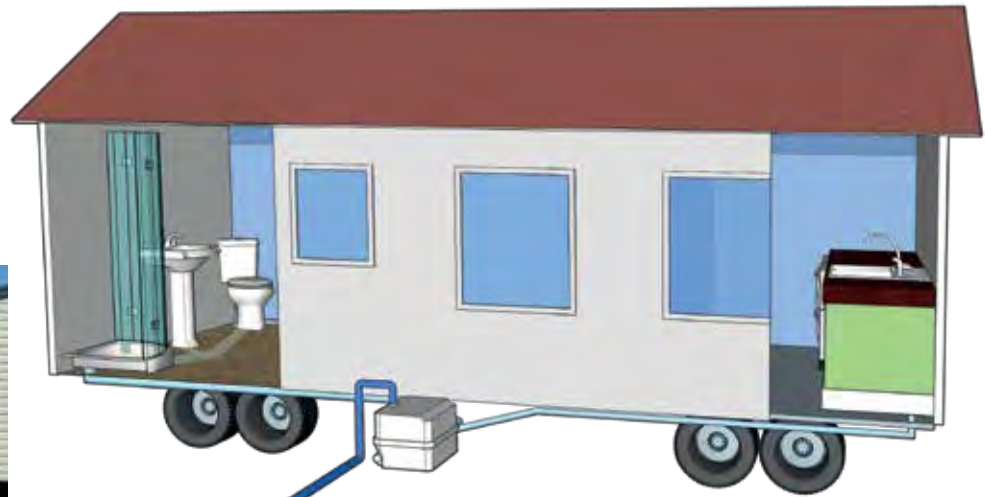
- A couple of Sanicubic 2 grinder pumps were able to handle all the fixtures from both restrooms. Two alternating 1-HP motors are able to discharge up to 90 GPM.
- Systems were installed above the floor eliminating any ground work while saving money.
- Sanicubic 2 systems are able to pump up to 36 ft. and/or 328 ft. across making it ideal for this application.

SFA SANIFLO SYSTEMS ARE THE PERFECT FIT ON CONSTRUCTION SITES

Grinder systems were installed for modular trailers used by construction crews. The need for a powerful yet compact evacuation system made the Sanicubic a perfect fit for this application.



Temporary camp site with Sanicubic 1 systems



Drain pipe from trailer leading into a Sanicubic 1 grinding system



Grinder pump and alarm system protected from weather conditions



CHALLENGE:

- More than 300 workers live in modular suites equipped with bathrooms and kitchens.
- An effective solution was needed to remove the wastewater to a holding tank over 200 feet away.
- Cost of excavation and installing large diameter pipes with the required pitch was not cost effective.



SOLUTION:

- 77 Sanicubic 1 systems were installed to grind and discharge the waste from the entire camp.
- Each Sanicubic 1 was able to pump all fixtures from each modular unit into the holding tank.
- Sanicubic 1's ability to defy gravity allowed the contractor to install the units wherever they were needed.

SANICUBIC® 1 Grinder

INSTALLATION ABOVE THE GROUND



© SFA Saniflo Inc.

Example of installation. Follow local plumbing codes for actual install.

INSTALLATION BELOW THE GROUND



© SFA Saniflo Inc.

Example of installation. Follow local plumbing codes for actual install.

The **Sanicubic 1** is a **1 HP heavy duty simplex grinder system** used to pump away waste water from several bathrooms and fixtures from an entire building structure. This system is able to discharge the waste up to **36 feet vertical and/or 328 feet horizontal**. It incorporates a grinder system which is ideal for uncontrolled environments in both residential and commercial applications (ie. rental unit, offices, warehouses, etc). The Sanicubic 1 is designed **to handle sanitary products** that may have been flushed down the toilet; such may consist of condoms, sanitary napkins, q-tips, dental floss, etc.

- **Discharges the waste through a 1½" rigid pipe.** A built-in non-return valve is included on the internal discharge pipe.
- Has been designed with a **1½" vent connection** on the top of the enclosure. All plumbing codes require connection to a vent system. Please note that the vent system should be a two-way air vent as air needs to freely flow both ways. Note: The use of mechanical vents, air admittance valves or similar devices is not permitted.
- **The Sanicubic 1 is IP68** rated for possible submergence which eliminates any potential water damage to internal components. It comes equipped with an external control panel as well as a visual and audible alarm system (15 ft. long wire).
- The pump discharges wastewater from **several toilets, sinks, bath/showers, urinals and even washing machines**. The wastewater from other sanitary fixtures is drained into the Sanicubic 1 **via four 1½" or 4" inlets** on either side of the housing and on top of the enclosure. Note that when draining waste water into the pump through either of the side inlets, an external check valve (not supplied) has to be installed. Also, note that there should be a minimum 10" height difference between the base of the Sanicubic 1 to the bottom of the shower/bathtub drain or to the base of the toilet.

220 VOLT
VERSION
Available
Summer
2018

TECHNICAL SPECIFICATIONS

Pump type: Grinder

Electrical: 120 V – 60 Hz / 10 Amps (Max)

Motor: 1 HP oil-filled thermally protected motor

Capacitor rating: 60 microfarad

Operating Temperature: 158°F Max.

Power cord length: 80 inches

Noise level: ≤ 68 dBA (Lp) (measured at 3 ft.)





Discharge pipe diameter: 1½"

Discharge rate at 36 ft: 26 GPM

Discharge rate at 3 ft: 50 GPM

Shut-off head: 45 ft.

Normal running time: Depends on number of fixtures

Capacity: 8.5 gallons

Inlets: 1½" or 4" (sides), 1½" or 4" (top)

Method of activation: Pressure switch, circuit board

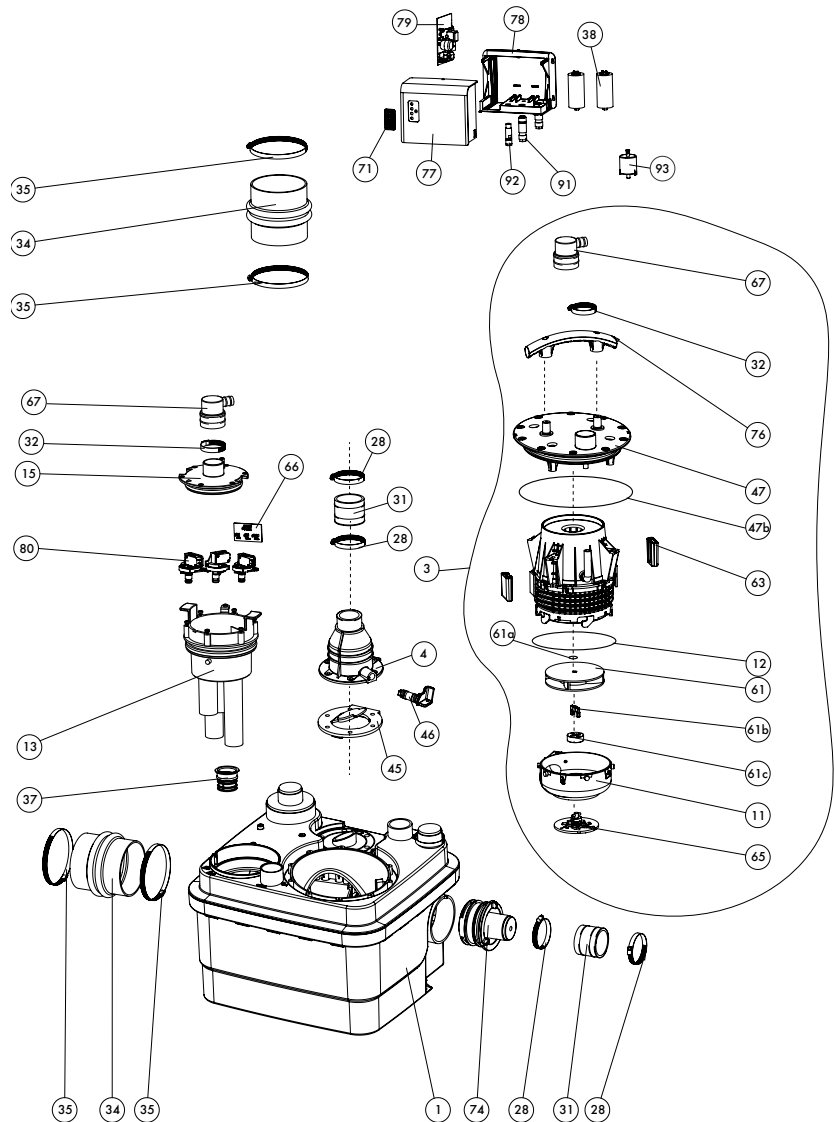
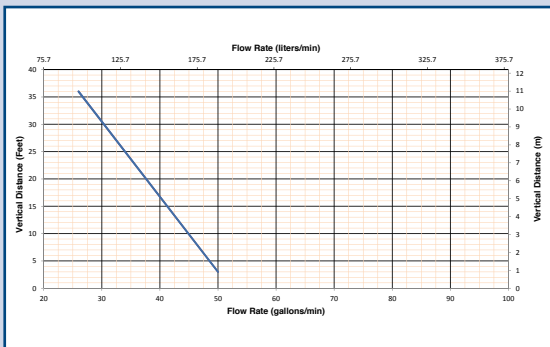
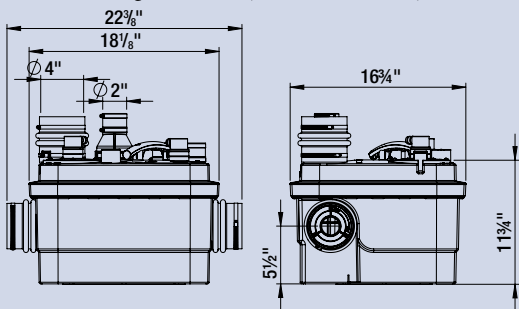
Toilet, shower/bathtub base height: 10" min

Weight: 50 lbs.

Certifying agencies: CSA (IPC, NSPC), IAPMO (UPC)

Recommended accessories: Descaler

Connections: Toilets, sinks, shower/bathtubs, washing machines (direct connection), etc.



PLEASE CALL US TOLL-FREE AT 800-571-8191 (US) / 800-363-5874 (CDN) TO PURCHASE PARTS REFERENCED ABOVE

PRE-ASSEMBLED GRINDING SYSTEM CAPABLE OF DISCHARGING WASTEWATER FROM MULTIPLE FIXTURES

System can be installed **above the floor, inside a pit or even retrofitted into an existing sewage ejector basin** (at least 24" diameter).

Powerful 1 HP motor for absolute reliability and efficiency that can handle up to **50 gallons per minute from several fixtures.**

System is capable of handling **multiple fixtures simultaneously.** New grinding technology can handle feminine hygiene products and eliminates clogging issues common with sewage ejector stations.



SANICUBIC[®] 2 Dual Grinders



© SFA Saniflo Inc.

Example of installation. Follow local plumbing codes for actual install.

© SFA Saniflo Inc.

Example of installation. Follow local plumbing codes for actual install.

The **Sanicubic 2 is a 1 HP heavy duty duplex grinder system** used to pump away waste water from several bathrooms and fixtures from an entire building structure. This system is able to discharge the waste up to **36 feet vertical and/or 328 feet horizontal**. It incorporates **a grinder system** which is ideal for uncontrolled environments in both residential and commercial applications (ie. rental unit, offices, warehouses, etc). The Sanicubic 2 is designed **to handle sanitary products** that may have been flushed down the toilet; such may consist of condoms, sanitary napkins, q-tips, dental floss, etc.

- **Discharges the waste through a 1½" rigid pipe.** A couple of non-return valves are included on the internal discharge pipe connection of this system.
- Has been designed with a **1-1/2" vent connection** on top of the enclosure. All plumbing codes require connection to a vent system. Please note that the vent system should be a two-way air vent as air needs to freely flow both ways. Note: The use of mechanical vents, air admittance valves or similar devices is not permitted.
- **The Sanicubic 2 is IP68** rated for possible submergence which eliminates any potential water damage to internal components. It comes equipped with an external control panel as well as a visual and audible alarm system (15 ft. long wire).
- The pump discharges wastewater from **several toilets, sinks, bath/showers, urinals and even washing machines**. The wastewater from other sanitary fixtures is drained into the Sanicubic 2 **via five 1½" or 4" inlets** on either side of the housing and on top of the enclosure. Note that when draining waste water into the pump through either of the side inlets, an external check valve (not supplied) has to be installed. Also, note that there should be a minimum 10" height difference between the base of the Sanicubic 2 to the bottom of the shower/bathtub drain or to the base of the toilet.

TECHNICAL SPECIFICATIONS

Pump type: Grinder
Electrical: 220-240 V (208V min) – 60 Hz / 13 Amps (Max)
Motor: 2 x 1 HP oil-filled thermally protected motor
Capacitor rating: 2 x 30 microfarad
Operating Temperature: 158°F Max.
Power cord length: 72 inches
Noise level: ≤ 68 dBA (Lp) (measured at 3 ft.)



PACKAGED GRINDING SYSTEMS



Discharge pipe diameter: 1½"

Discharge rate at 36 ft: 38 GPM (Both motors in operation)

Discharge rate at 3 ft: 90 GPM (Both motors in operation)

Shut-off head: 45 ft.

Normal running time: Depends on number of fixtures

Capacity: 12.4 gallons

Inlets: 1½" or 4" (sides), 1½" or 4" (top)

Method of activation: Pressure switch, circuit board

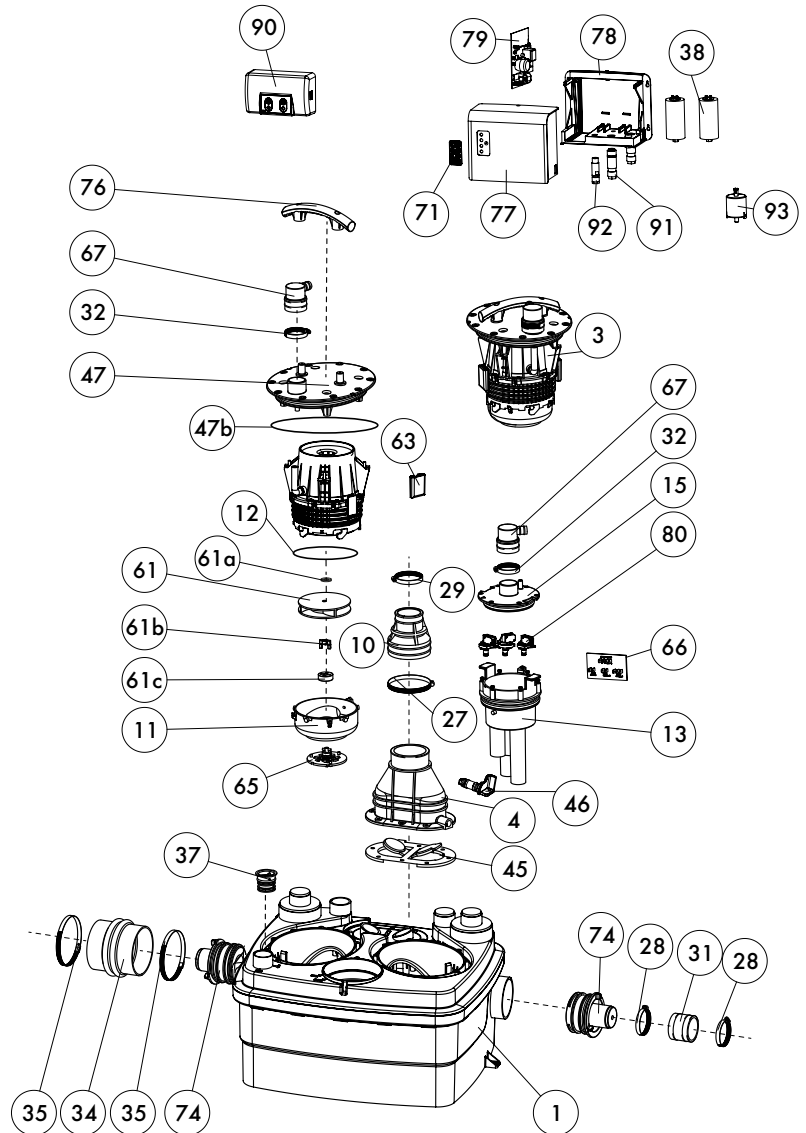
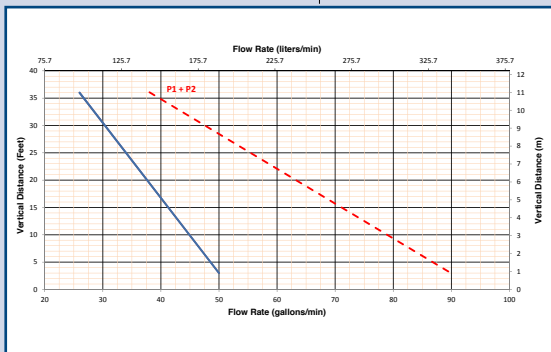
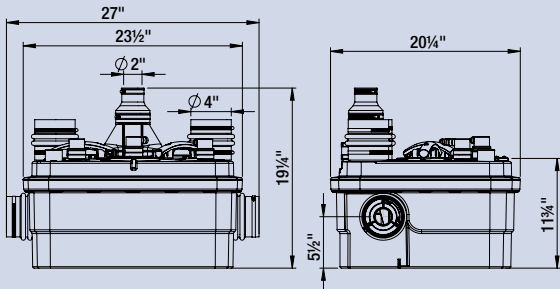
Toilet, shower/bathtub base height: 10" min

Weight: 77 lbs.

Certifying agencies: CSA (IPC, NSPC), IAPMO (UPC)

Recommended accessories: Descaler

Connections: Toilets, sinks, shower/bathtubs, washing machines (direct connection), etc.



PLEASE CALL US TOLL-FREE AT 800-571-8191 (US) / 800-363-5874 (CDN) TO PURCHASE PARTS REFERENCED ABOVE

DUPLEX GRINDING SYSTEM CAPABLE OF DISCHARGING WASTEWATER FROM MULTIPLE FIXTURES FROM ENTIRE BUILDING STRUCTURES

Two powerful 1 HP motors for absolute reliability and efficiency. New grinding technology eliminates clogging issues found on sewage ejector stations as **it can handle feminine hygiene products**.

Smart-pump technology allows both pumps to work simultaneously if the incoming rate is higher than the discharge rate of the single pump. The **discharge rate increases roughly 80%** until the condition is alleviated.

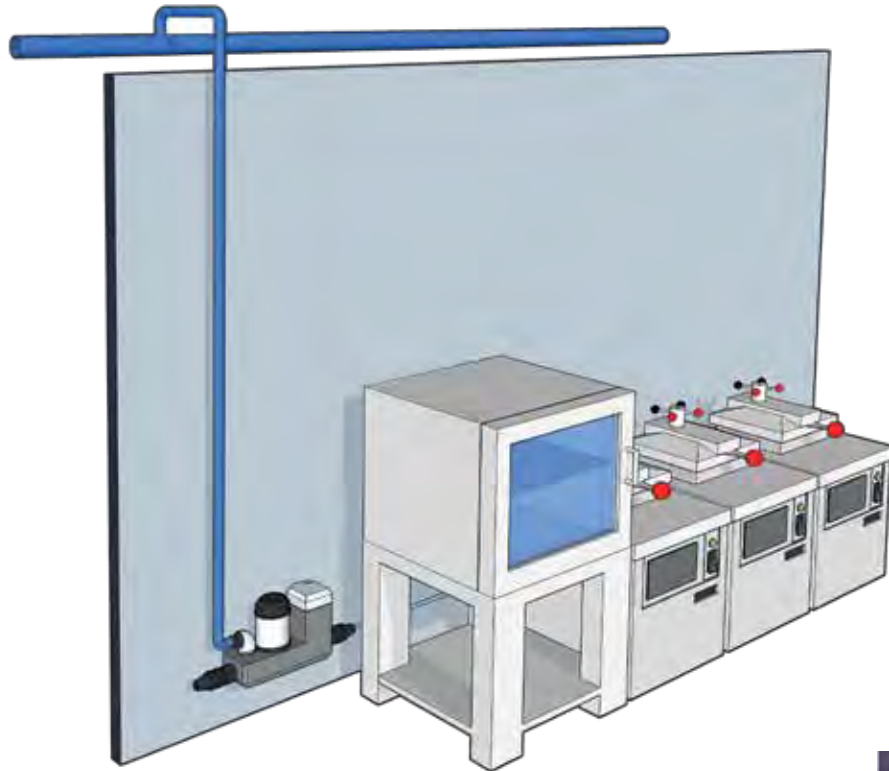
System is capable of handling **multiple fixtures at the same time** as it can handle up to **90 gallons per minute**.



Make the impossible possible with Saniflo!

SFA SANIFLO PROVIDES SMART SOLUTIONS IN COMMERCIAL KITCHENS WHERE TRADITIONAL GRAVITY DRAINAGE IS IMPOSSIBLE

The powerful 1-HP Sanicom I pump is used to evacuate hot water from commercial kitchens. The perfect solution for applications where the water temperature can cause problems.



Pump installation behind oven

View of restaurant inside shopping mall



CHALLENGE:

- Kitchen ovens required a connection to the main sewer in order to discharge waste water created by steam and by automatic self-cleaning cycle.
- The kitchen was located in a building that had the drain far and above floor level without means of gravity.
- A pump capable of handling hot water from different appliances was required.



SOLUTION:

- Several pumps were installed, each for a different oven in different restaurant locations.
- The Sanicom 1 was able to pump 15 Ft vertically to the point of discharge where gravity took over.
- The pump had no issues with the temperature of the waste water since the Sanicom I can handle up to 194°F.

SFA SANIFLO SUPPLIED A STRESS-FREE SOLUTION FOR THE INSTALLATION OF COFFEE MACHINES IN THEIR STORES

The Sanicom drain pump discharged the gray water vertically up more than 20 ft. to the existing sewer line providing an inexpensive solution.



Sanicom installed inside a cabinet with easy access



View of the 7-Eleven convenience store

CHALLENGE:

- The new coffee machines needed to be installed in the middle of the store which was away from the sewer line.
- The coffee machine has an automatic cleaning system which required automatic drainage from the pump system.
- A pump capable of handling hot water from the coffee machine was required.

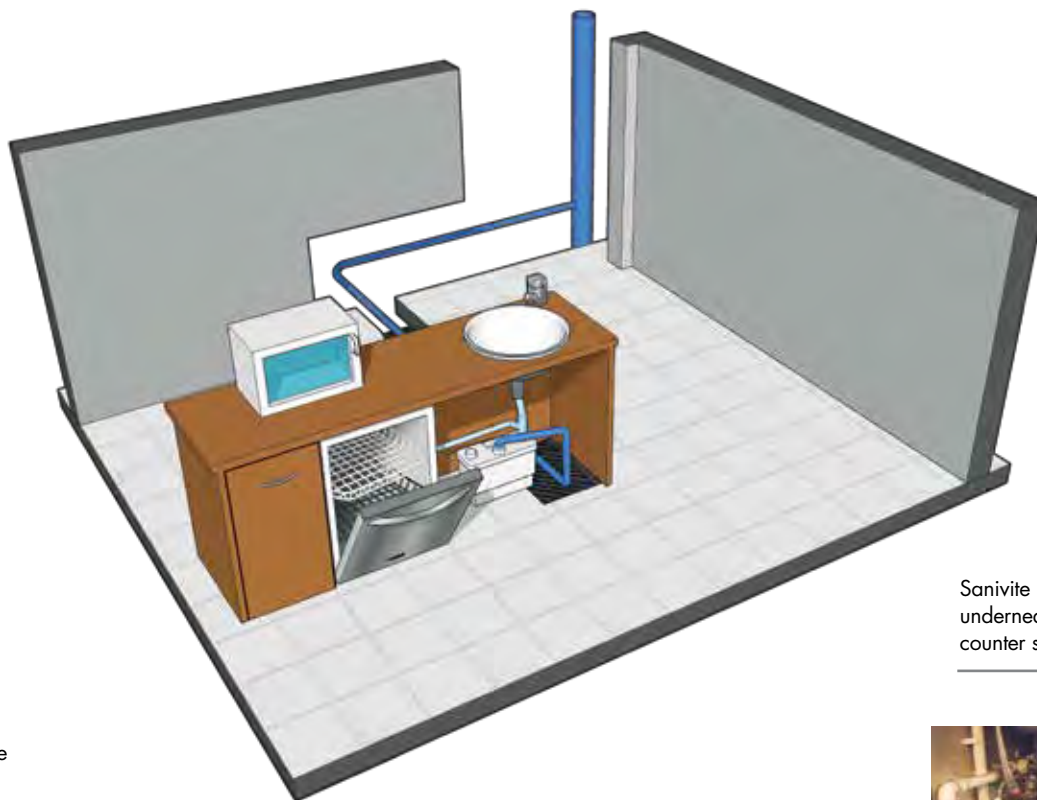


SOLUTION:

- The commercial Sanicom 1 was installed to remove the hot waste water from the coffee machine and other surrounding fixtures.
- Above-the-floor technology as well as small diameter pipe allowed the installation to be completed without major construction.
- The pump had no issues with the temperature of the waste water since the Sanicom 1 can handle up to 194°F.

SFA SANIFLO PROVIDES A MORE RELIABLE AND HYGIENIC SOLUTION IN POPULAR COFFEE SHOPS

The very powerful, yet quiet and compact Sanivite pump is used to evacuate gray water for a sink addition. This heavy-duty drain pump is the perfect solution when no drain line is present.



Sanivite installed underneath the counter sink

Coffee shop inside shopping mall



Starbucks sales counter



CHALLENGE:

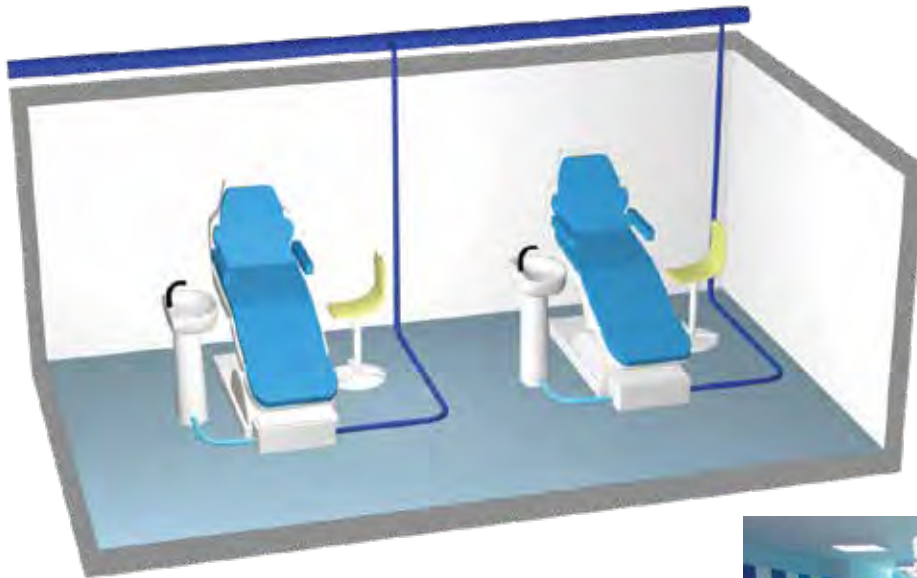
- Existing submersible pumps gave off odors and failed regularly affecting every day activity.
- Need to substitute existing system with reliable product that would be required to pump gray water from a sink and dishwasher.
- Coffee shop is located inside busy shopping mall restricting construction time.



SOLUTION:

- Easily replaced with Sanivite drain pump thus eliminating failures or call backs.
- Sanivite was installed behind cabinetry to discharge wastewater to the main drain pipe located at the opposite end of the shop.
- Installation was completed quickly using existing drain lines.

When the owner of a dentist office needed to add dental chairs to a new location, several Sanishower drain pumps made it possible.



Dental chairs added to new office

New redesigned and improved dentist office



Dental chair equipped with Sanishower drain pumps

CHALLENGE:

- The existing sewer lines were too far away from the desired chair location and traditional gravity was an expensive proposition.
- Bound by traditional plumbing limitations, the office renovation would result in thousands of dollars in labor intensive traditional plumbing works.



SOLUTION:

- Resistant to higher temperatures, the Sanishower drain pumps are ideal for applications requiring the removal of hot water.
- With the installation of several Sanishower drain pumps, the new fit-out project was completed in only a few days.



© SFA Saniflo Inc.

Example of installation. Follow local plumbing codes for actual install.

The **Sanicom 1 drain pump** is used to pump gray water away from a variety of fixtures in **commercial and residential applications**. The system is able to discharge the waste up to **25 feet vertical and/or 250 feet horizontal**. This model was designed to sustain the toughest applications from commercial applications where hot water can be an issue as it is **capable of handling up to 194°F**.

- **Discharges the waste through a 1" rigid pipe.** The system includes a rubber discharge elbow that adapts to the discharge pipe as well as a **non-return valve**. This elbow can be rotated 360 degrees depending on the discharge installation.
- Has been designed with a **1¼" vent connection** on top of the system. All plumbing codes require connection to a vent system. If codes require the use of a larger diameter vent pipe, this may be increased by means of an adapter. Please note that the vent system should be a two-way air vent as air needs to freely flow both ways. Note: The use of mechanical vents, air admittance valves or similar devices is not permitted.
- Discharges **gray water from commercial kitchens, dishwashers, washing machines, etc.** The gray water will drain into the system **via two 2" inlets** which are on either side of the housing. Note that when draining waste water into the pump through either of the side inlets, an external check valve (not supplied) has to be installed.

Commercial Grade

TECHNICAL SPECIFICATIONS

Pump type: Drain pump
 Electrical: 120 V - 60 Hz / 10 Amps (Max)
 Motor: 1 HP oil-filled thermally protected motor
 Capacitor rating: 45 microfarad
 Operating Temperature: 194°F Max.
 Power cord length: 50 inches
 Noise level: ≤ 68 dBA (Lp) (measured at 3 ft.)





Discharge pipe diameter: 1"

Discharge rate at 25 ft: 17 GPM

Discharge rate at 3 ft: 33 GPM

Shut-off head: 53 ft.

Normal running time: 4-6 secs (short bursts)

Capacity: 2.75 gallons

Inlets: 2" (side inlets), 1 1/4" (top)

Method of activation: Pressure switch / circuit board

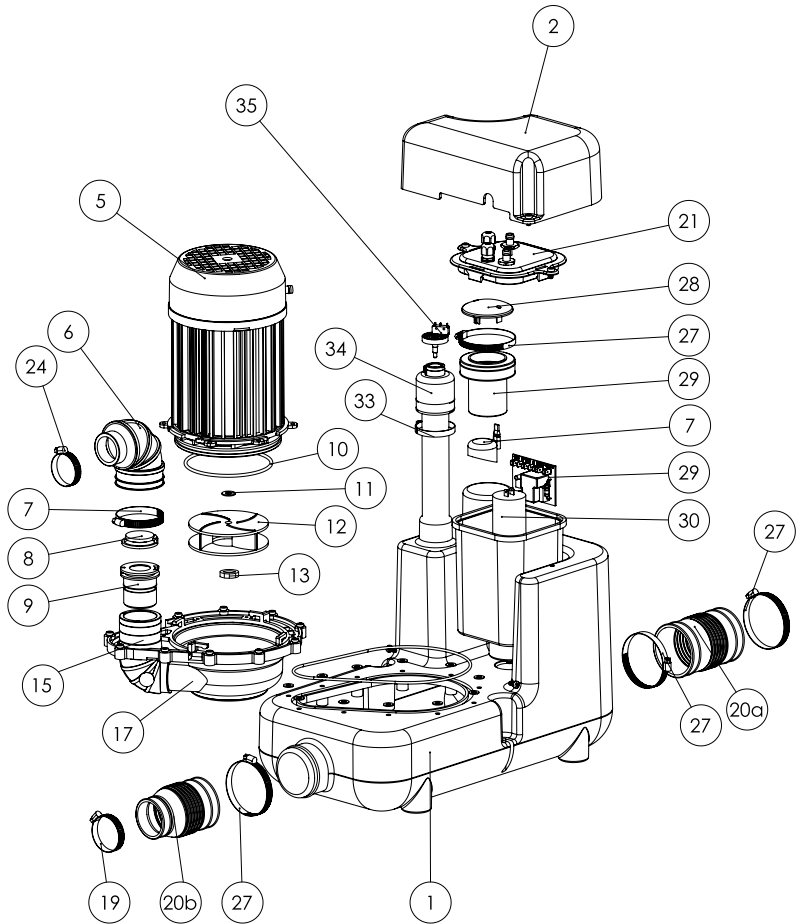
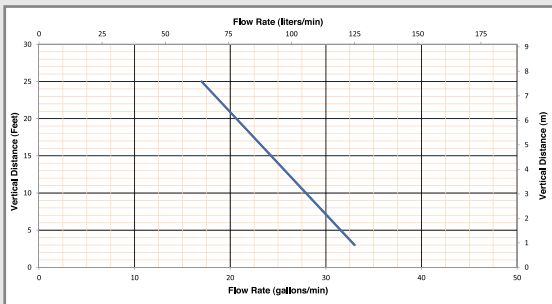
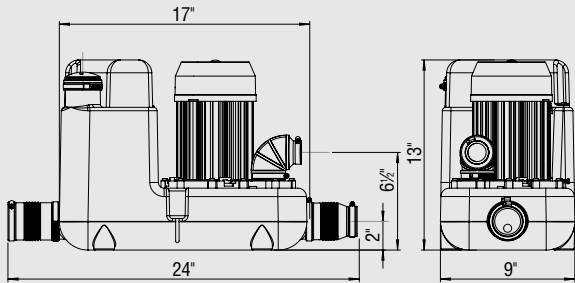
Shower/bathtub base height: 10" min.

Weight: 22 lbs.

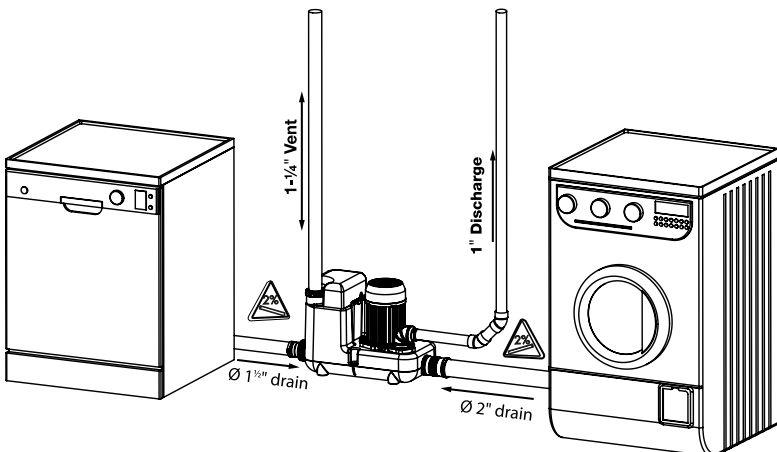
Certifying agencies: CSA (IPC, NSPC)

Recommended accessories: Descaler

Connections: Commercial sink, dishwasher, washing machine, etc



PLEASE CALL US TOLL-FREE AT 800-571-8191 (US) / 800-363-5874 (CDN) TO PURCHASE PARTS REFERENCED ABOVE



AN EASY SOLUTION FOR COMMERCIAL APPLICATIONS REQUIRING GRAY WATER REMOVAL

Powerful 1 HP drain pump meant for commercial applications where hot water can be an issue as it is capable of handling up to 194°F.

System is capable of **handling multiple fixtures simultaneously**. Powerful motor for absolute reliability and efficiency.

Pump gray water away from any commercial application.



© SFA Saniflo Inc.

Example of installation. Follow local plumbing codes for actual install.

The **Sanivite drain pump** is used to pump gray water away from a variety of fixtures in **commercial and residential applications**. The system is able to discharge the waste up to **16 feet vertical and/or 150 feet horizontal**. This model was designed to sustain the toughest applications as it is capable of **handling hot water and grease**.

- **Discharges the waste through a 1" or 1½" rigid pipe. A non-return valve is included** on the discharge elbow assembly provided with the system. This elbow can be rotated 360 degrees depending on the discharge installation.
- Has been designed with a **1½" vent connection** on top of the lid. All plumbing codes require connection to a vent system. Either inlet located on top of the housing can be used for the vent or as an inlet. Please note that the vent system should be a two-way air vent as air needs to freely flow both ways. Note: The use of mechanical vents, air admittance valves or similar devices is not permitted.
- Discharges **gray water from a kitchen sink, bath/shower, dishwasher, washing machine** (indirect connection via laundry sink). The gray water will drain into the system via **three inlets**, two 2" inlets (with built-in check valves) on either side of the housing and one 1½" inlet on top of the enclosure.

Commercial Grade

TECHNICAL SPECIFICATIONS

Pump type: Drain pump
 Electrical: 120 V – 60 Hz / 4.5 Amps* (Max)
 Motor: 0.4 HP oil-filled thermally protected motor
 Capacitor rating: 18 microfarad
 Operating Temperature: 140°F Max.
 Power cord length: 42 1/2 inches
 Noise level: ≤ 44 dBA (Lp) (measured at 3 ft.)

* Either inlet can be used as a vent or as a drain inlet.





Discharge pipe diameter: 1" - 1½"

Discharge rate at 16 ft: 18 GPM*

Discharge rate at 3 ft: 29 GPM*

Shut-off head: 30 ft.

Normal running time: 3-5 seconds (short bursts)

Capacity: 3.7 gallons

Inlets: 2" (sides), 1½" vent (top)

Method of activation: Membrane/microswitch

Shower/bathtub base height: 6" min.

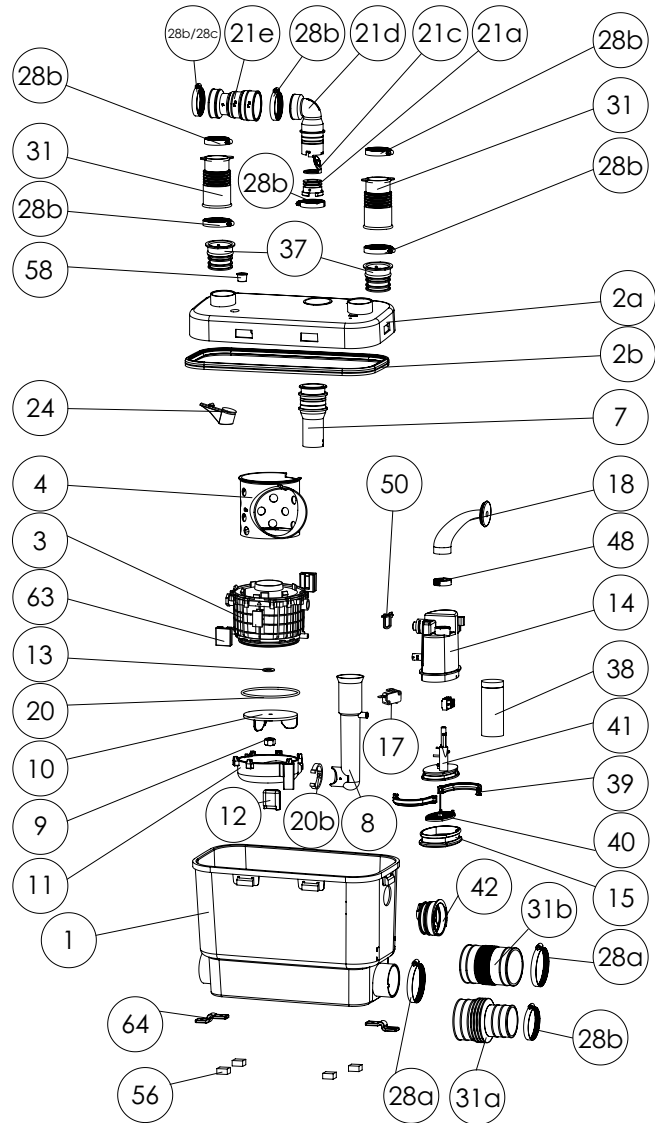
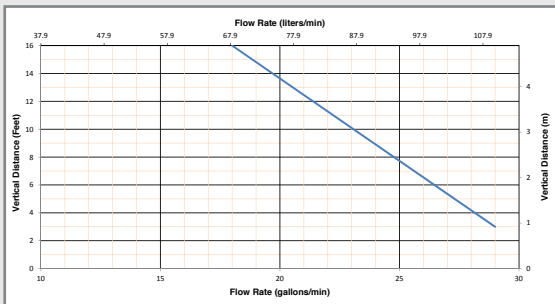
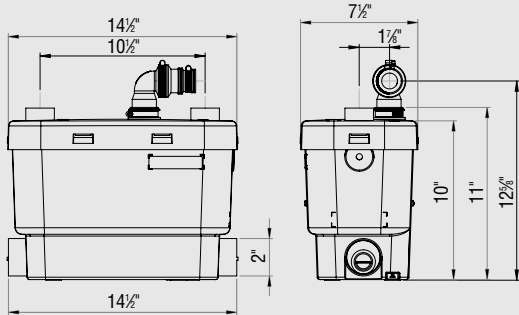
Weight: 16 lbs.

Certifying agencies: CSA (IPC, NSPC)

Recommended accessories: Descaler, Sanialarm

Connections: Sink, shower/bathtub, washing machine (indirect), dishwasher, laundry sink, etc.

* Measured using 1" discharge. Information will vary once the discharge size is increased. Consult with factory.



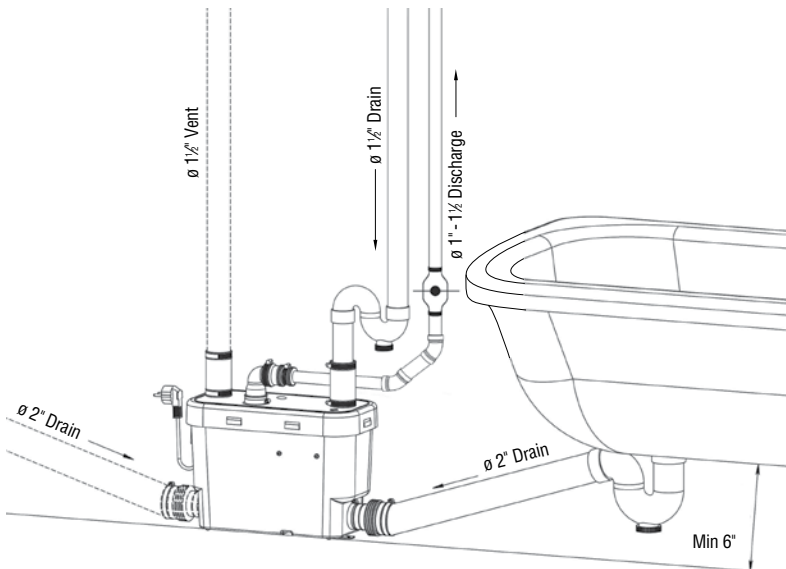
PLEASE CALL US TOLL-FREE AT 800-571-8191 (US) / 800-363-5874 (CDN) TO PURCHASE PARTS REFERENCED ABOVE

AN EASY SOLUTION FOR A KITCHEN INSTALLATION OR FOR ANY GRAY WATER APPLICATION

Drain pump small enough to fit inside a kitchen cabinet with the **capability to handle hot water and grease buildup.**

The perfect quiet solution **designed with low drain inlets** which facilitate the installation of showers and bathtubs in **heavy-duty residential or commercial applications.**

Built-in check valves prevent any backup into the connecting fixtures.



An easy solution for a kitchen installation, a remote laundry room or any gray water application.



© SFA Saniflo Inc.

Example of installation. Follow local plumbing codes for actual install.

The **Saniswift drain pump** is used to pump gray water away from a variety of fixtures in **residential applications**. The system is able to discharge the waste up to **14 feet vertical and/or 140 feet horizontal**.

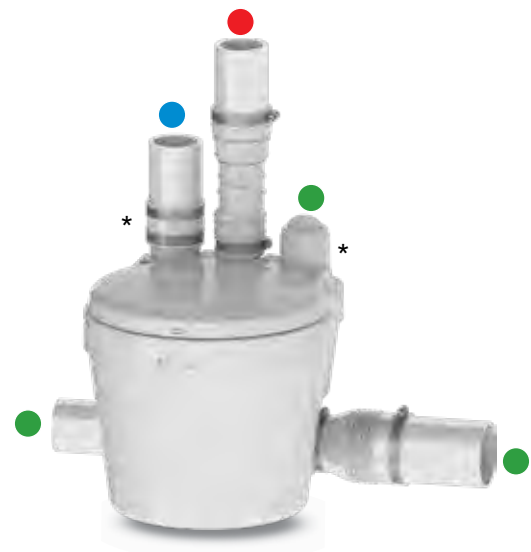
- **Discharges the waste through either a 1" or 1½" rigid pipe. A non-return valve is included** on the discharge fitting assembly provided with the system.
- Has been designed with a **1½" vent connection** on top of the lid. All plumbing codes require connection to a vent system. Either inlet located on top of the housing can be used for the vent or as an inlet. Please note that the vent system should be a two-way air vent as air needs to freely flow both ways. Note: The use of mechanical vents, air admittance valves or similar devices is not permitted.
- Discharges **gray water from a kitchen sink, shower, dishwasher, washing machine** (indirect connection via laundry sink). The gray water will drain into the system **via three 1½" inlets**, two low inlets (with built-in check valves) on either side of the housing and one on top of the enclosure.

ResidentialGrade

TECHNICAL SPECIFICATIONS

Pump type: Drain pump
 Electrical: 120 V – 60 Hz / 4.5 Amps* (Max)
 Motor: 0.3 HP oil-filled thermally protected motor
 Capacitor rating: 30 microfarad
 Operating Temperature: 140°F Max.
 Power cord length: 48 inches
 Noise level: ≤ 44 dBA (Lp) (measured at 3 ft.)

* Either inlet can be used as a vent or as a drain inlet.





Discharge pipe diameter: 1" - 1½"

Discharge rate at 14 ft: 18 GPM*

Discharge rate at 3 ft: 24 GPM*

Shut-off head: 25 ft.

Normal running time: 3-5 seconds (short bursts)

Capacity: 2.75 gallons

Inlets: 1½" (sides), 1½" vent (top)

Method of activation: Pressure switch, circuit board

Shower/bathtub base height: 6" min.

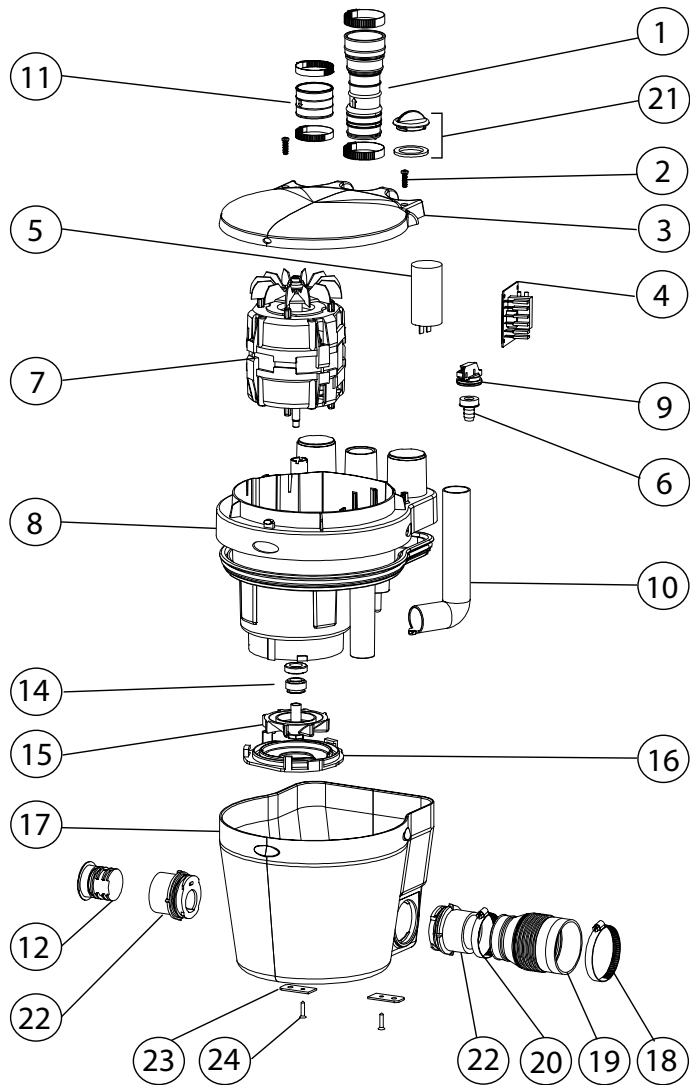
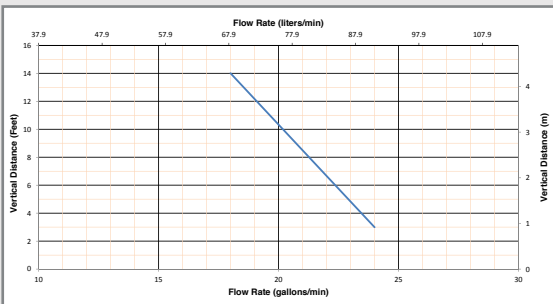
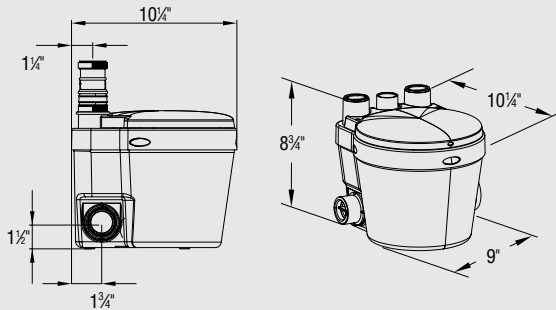
Weight: 13 lbs.

Certifying agencies: CSA (IPC, NSPC)

Recommended accessories: Descaler

Connections: Sink, shower, washing machine (indirect), dishwasher, laundry sink, etc.

* Measured using 1" discharge. Information will vary once the discharge size is increased. Consult with factory.

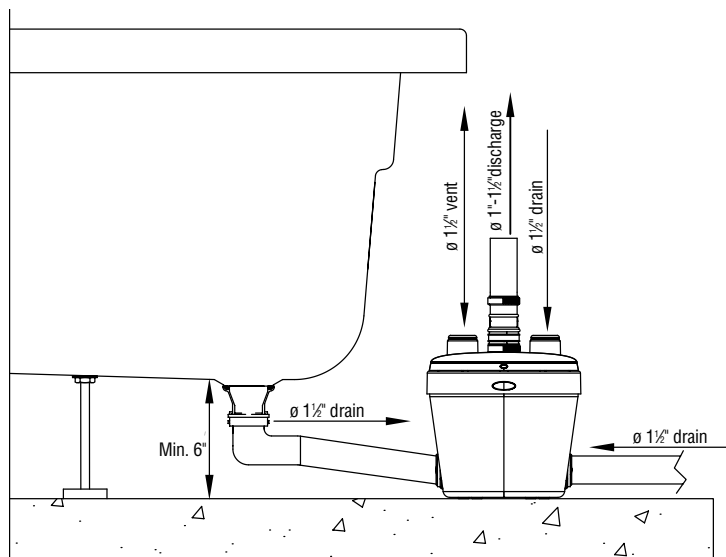


PLEASE CALL US TOLL-FREE AT 800-571-8191 (US) / 800-363-5874 (CDN) TO PURCHASE PARTS REFERENCED ABOVE

AN EASY SOLUTION FOR A REMOTE LAUNDRY ROOM INSTALLATION OR FOR ANY GRAY WATER APPLICATION

Powerful and economical with a compact design and multiple inlets which makes it perfect for installations anywhere you can imagine.

The perfect quiet solution **designed with low drain inlets** which facilitate the installation of a shower in **residential applications**. Built-in check valves prevent any backup into the connecting fixtures.



Enjoy your laundry room addition with help from Saniflo!



© SFA Saniflo Inc.

Example of installation. Follow local plumbing codes for actual install.

The **Sanishower drain pump** is used to pump gray water away from a variety of fixtures in **residential applications**. The system is able to discharge the waste up to **12 feet vertical and/or 100 feet horizontal**.

- **Discharges the waste through a ¾" or 1" rigid pipe. A non-return valve is included** on the discharge fitting assembly provided with the system. Unlike the other models, the discharge for this model is on the side of the enclosure.
- Has been designed to be **vented through a 1¼" or 1½" pipe**. The vent output is located on the top of the pump. The case has a knockout which along with the rubber adapter provided is used to connect to the vent pipe. Note: The use of mechanical vents, air admittance valves or similar devices is not permitted.
- Discharges **gray water from a shower or sink**. The gray water will drain into the system **via two 2" inlets (with built-in check valves)** on either side of the housing.

Medium Duty

TECHNICAL SPECIFICATIONS

Pump type: Drain pump
Electrical: 120 V – 60 Hz / 5.5 Amps (Max)
Motor: 0.2 HP oil-filled thermally protected motor
Capacitor rating: 25 microfarad
Operating Temperature: 104°F (110°F Max.)
Power cord length: 48 1/2 inches
Noise level: ≤ 44 dBA (Lp) (measured at 3 ft.)





Discharge pipe diameter: 3/4" or 1"

Discharge rate at 12 ft: 14 GPM

Discharge rate at 3 ft: 20 GPM

Shut-off head: 26 ft.

Normal running time: 3-5 seconds (short bursts)

Capacity: 0.9 gallons

Inlets: 2" (side)

Method of activation: Membrane/microswitch

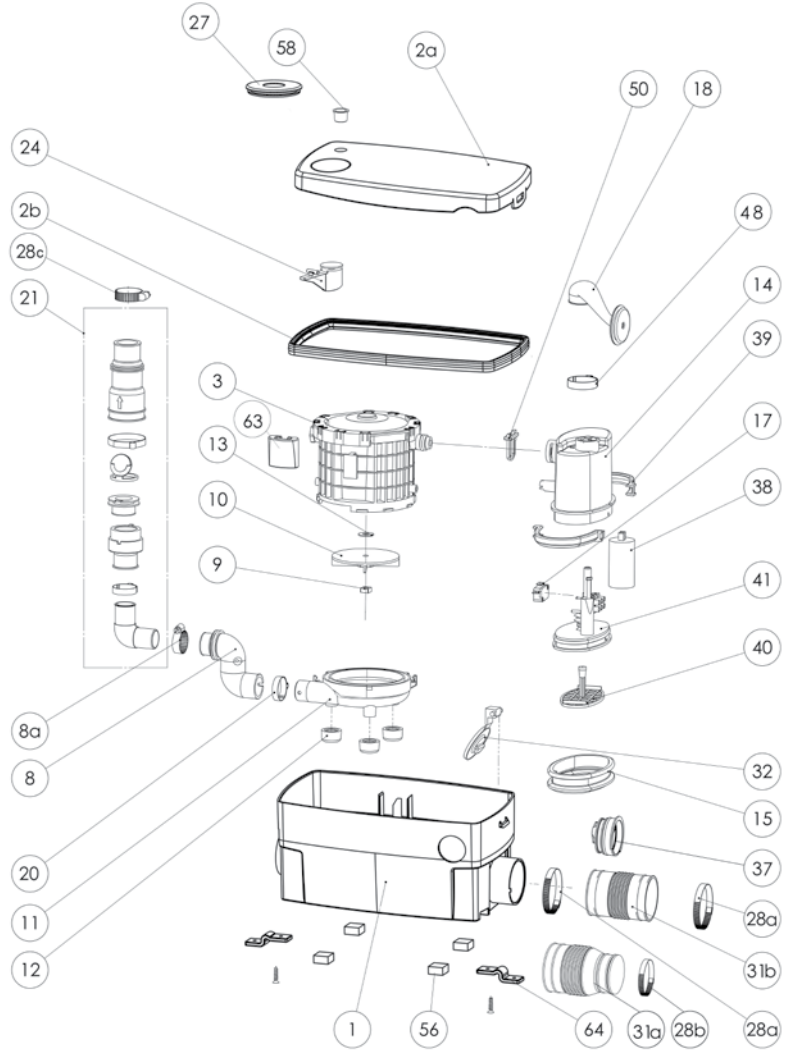
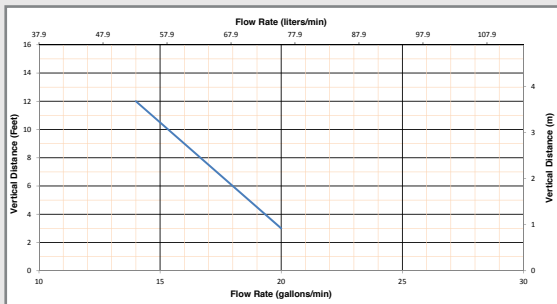
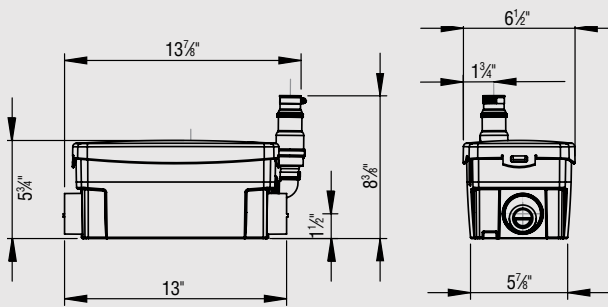
Shower base height: 5" min.

Weight: 12 lbs.

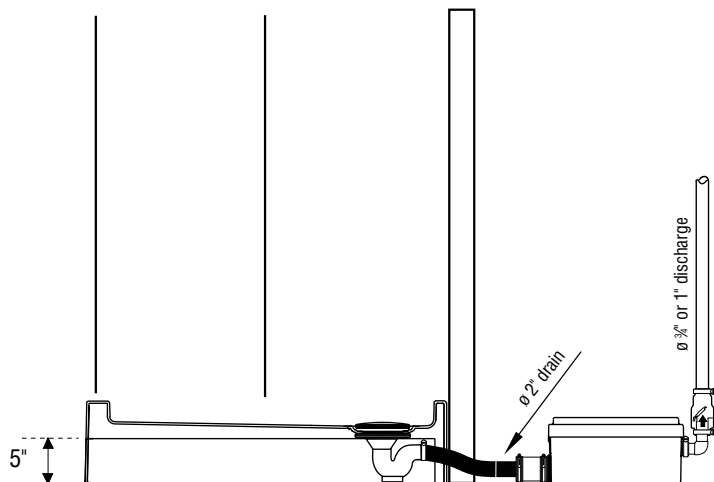
Certifying agencies: CSA (IPC, NSPC)

Recommended accessories: Descaler

Connections: Sink, shower



PLEASE CALL US TOLL-FREE AT 800-571-8191 (US) / 800-363-5874 (CDN) TO PURCHASE PARTS REFERENCED ABOVE



AN EASY SOLUTION FOR A REMOTE SHOWER OR SINK INSTALLATION OR FOR ANY GRAY WATER APPLICATION

Easy to install and small enough to fit underneath a shower base. Ideal for **medium duty applications**.

Pre-assembled system with a **low inlet and built-in check valve**. Typical installations include the discharge of gray water from **showers, sinks and pedicure chairs**.



© SFA Saniflo Inc.

Example of installation. Follow local plumbing codes for actual install.

The Sanicondens is a small pump used to **pump condensate from condensing boilers, HVAC systems, water heater systems, etc.**
The Sanicondens will pump condensate waste up to **15 feet in height and/or 150 feet away** from a soil stack.

- **Discharges the condensate waste through a 3/8" vinyl tube. A non-return valve is included** on the discharge connection provided with the system.
- The small, powerful pumping unit can be floor or wall mounted. It comes with provisions for a **ready-to-wire connection to an external overflow switch** that will shut down the appliance or alert the consumer in the event of overflow. It also includes all necessary hardware for ease of installation; **20 ft. of vinyl tubing, inlet adapter, discharge adapter.**
- Discharges **condensate from a condensing boiler or other condensate producing fixtures.** The condensate will drain into the system via **two 1" inlets located on top of the enclosure.**

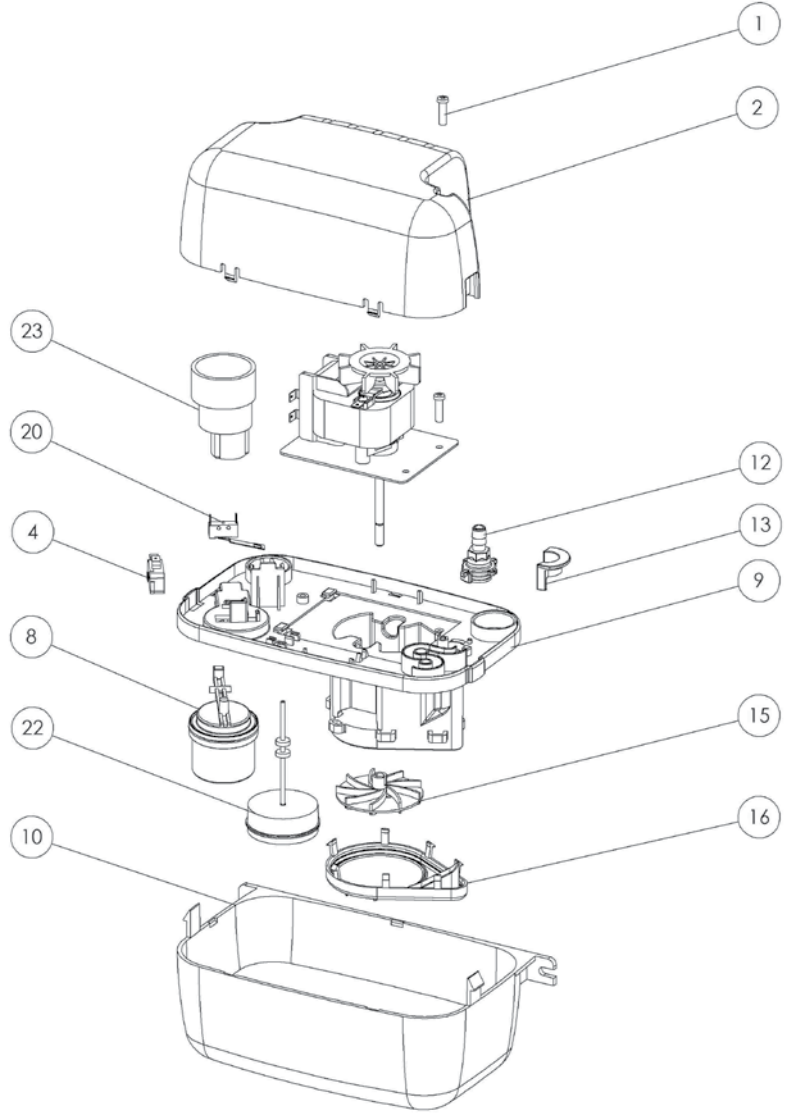
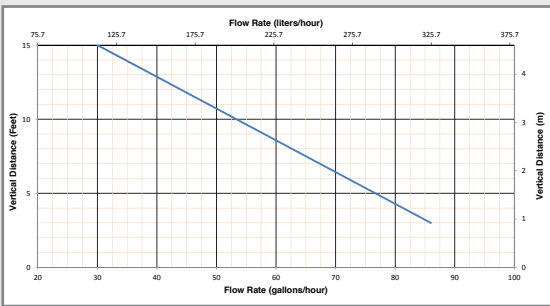
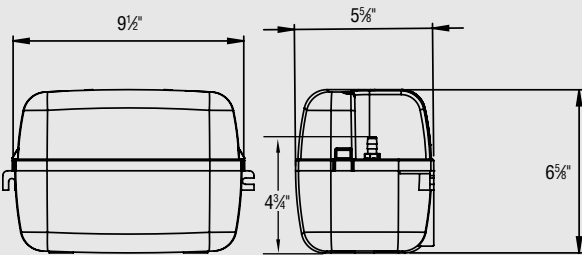


TECHNICAL SPECIFICATIONS

Pump type: Condensate pump
Electrical: 120 V – 60 Hz / 1.5 Amps (Max)
Motor: 1/30 HP oil-filled thermally protected motor
Operating Temperature: 160°F Max.
Power cord length: 60 inches
Noise level: ≤ 44 dBA (Lp) (measured at 3 ft.)



Discharge pipe diameter: $\frac{3}{8}$ "
 Discharge rate at 15 ft: 30 GPH
 Discharge rate at 3 ft: 86 GPH
 Normal running time: 3-5 seconds (short bursts)
 Capacity: 0.5 gallons
 Inlets: 1" (top)
 Method of activation: Float/microswitch
 Weight: 7 lbs.
 Certifying agencies: CSA (IPC, NSPC)
 Connections: Condensing boiler, HVAC systems,
 air conditioners

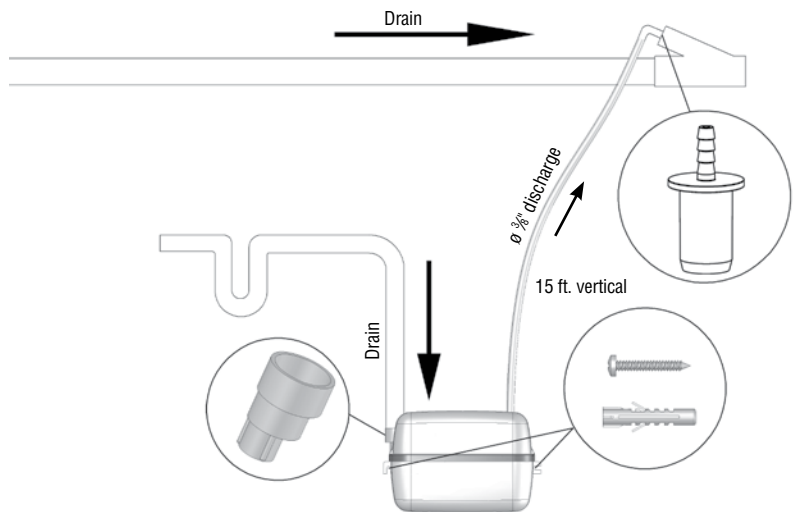


PLEASE CALL US TOLL-FREE AT 800-571-8191 (US) / 800-363-5874 (CDN)
 TO PURCHASE PARTS REFERENCED ABOVE

AN EASY SOLUTION TO PUMP CONDENSATE AWAY FROM CONDENSING BOILERS AND AIR CONDITIONERS

One of the **most powerful and quiet condensate pumps** on the market with features that no competitor can match.

The two quart capacity condensate pump comes equipped with **all the necessary hardware for easy installation**. It can be installed on top of a flat surface or mounted on a wall.



Help the environment and properly discharge condensate with Saniflo!

SANICONDENS[®] BEST



© SFA Saniflo Inc.

Example of installation. Follow local plumbing codes for actual install.

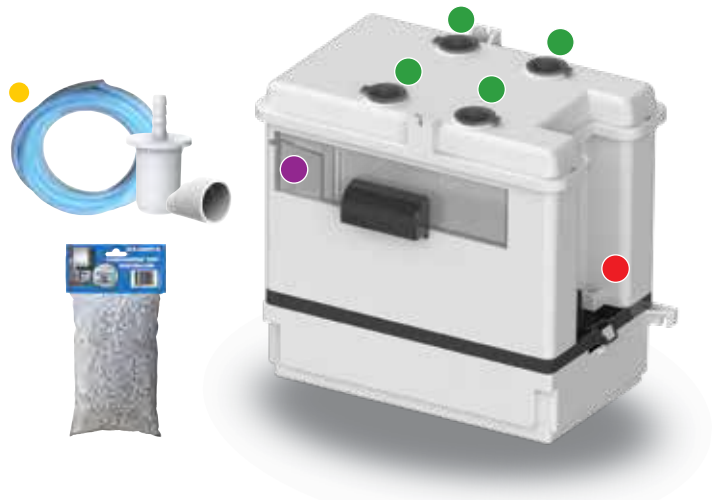
The Sanicondens Best is a pump used to **neutralize and pump condensate** from **condensing boilers, HVAC systems, water heater systems, etc.** The Sanicondens Best will pump condensate waste up to **15 feet in height and/or 150 feet away** from a soil stack.

- **Discharges the condensate waste through a 3/8" vinyl tube. A non-return valve is included** on the discharge connection provided with the system.
- Comes with provisions for a **ready-to-wire connection to an external overflow switch** that will shut down the appliance or alert the consumer in the event of overflow. It also includes all necessary hardware for ease of installation; **20 ft. of vinyl tubing, inlet adapter, discharge adapter.**
- Discharges **condensate from a condensing boiler or other condensate producing fixtures.** The condensate will drain into the system via **four 1" inlets located on top of the enclosure.**
- Comes equipped with a **built-in neutralizer to raise pH levels** for harsh HVAC applications. Neutralizing granules come included with the condensate pump.



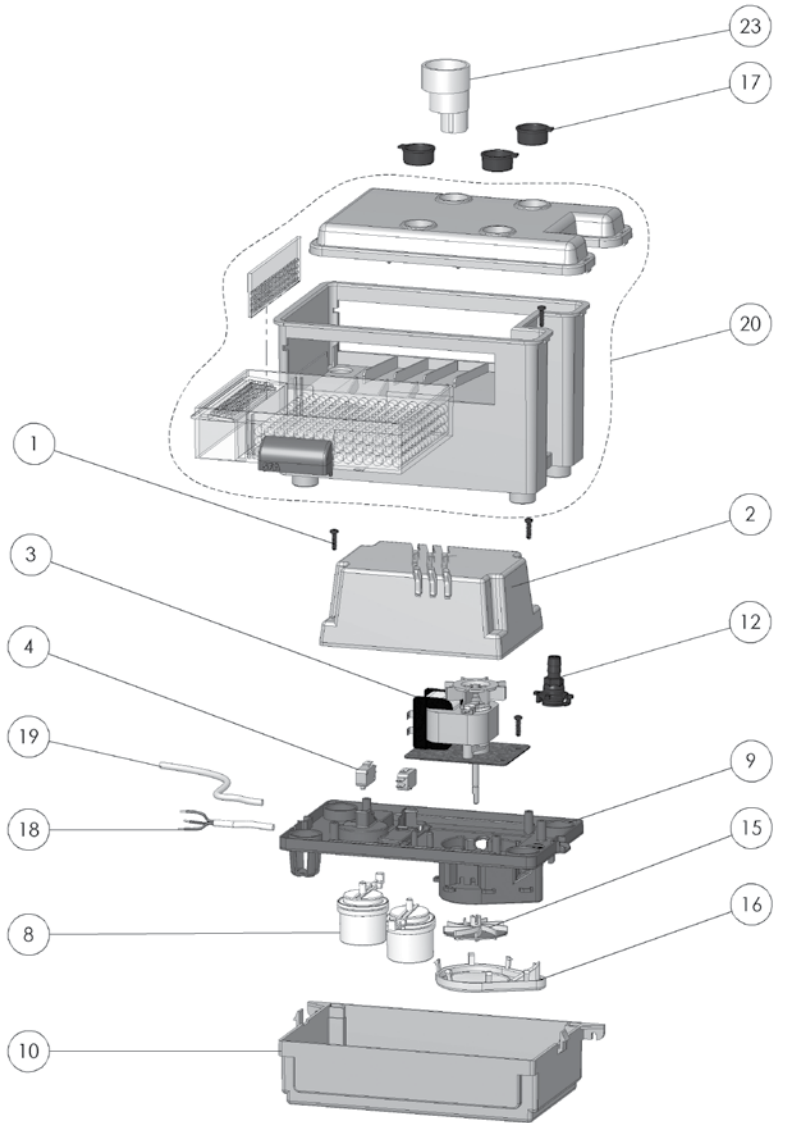
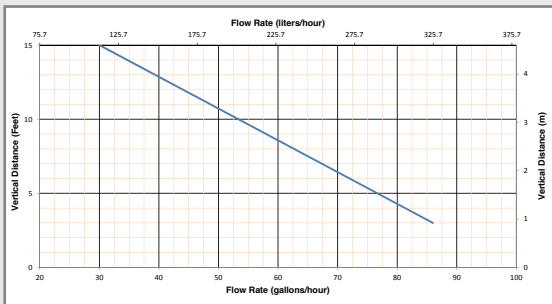
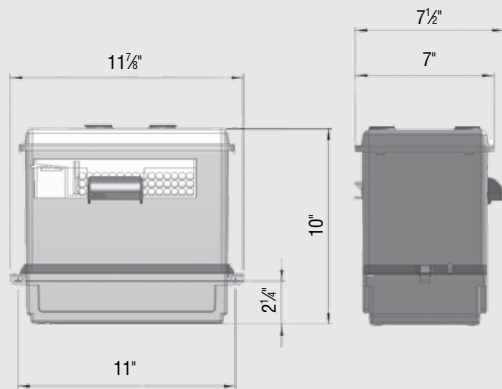
TECHNICAL SPECIFICATIONS

Pump type: Condensate pump
Electrical: 120 V – 60 Hz / 1.5 Amps (Max)
Motor: 1/30 HP oil-filled thermally protected motor
Operating Temperature: 160°F Max.
Power cord length: 61 ½ inches
Noise level: ≤ 44 dBA (Lp) (measured at 3 ft.)

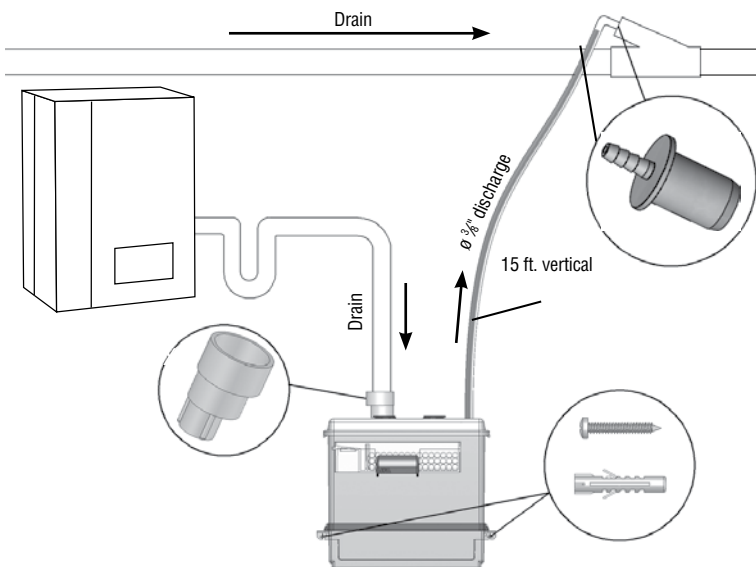




Discharge pipe diameter: $\frac{3}{8}$ "
 Discharge rate at 15 ft: 30 GPH
 Discharge rate at 3 ft: 86 GPH
 Normal running time: 3-5 seconds (short bursts)
 Capacity: 0.55 gallon
 Inlets: 1" (top)
 Method of activation: Float/microswitch
 Weight: 8 lbs.
 Certifying agencies: CSA (IPC, NSPC)
 Recommended accessories: Neutralizing granules (Part# 042)
 Connections: Condensing boiler, HVAC systems,
 air conditioners



PLEASE CALL US TOLL-FREE AT 800-571-8191 (US) / 800-363-5874 (CDN)
 TO PURCHASE PARTS REFERENCED ABOVE



2 IN 1 CONDENSATE PUMP WITH BUILT-IN NEUTRALIZER FOR HARSH HVAC APPLICATIONS

Neutralizing agent (Part# 042) is used to **raise the pH level** from condensate being produced by condensing boilers, air conditioners, etc.

The two quart capacity condensate pump comes equipped with **all the necessary hardware for easy installation**. It can be installed on top of flat surface or wall mounted.



The Sanineutral is a system **that neutralizes acidic condensate from condensing boilers, HVAC systems, water heater systems, etc.**
The Sanineutral works without a pump or it can be placed before the Sanicondens or Sanicondens Best.

- After the condensate is neutralized, it **exits the enclosure through a 1½" outlet.** The condensate will **drain through gravity into an existing sewer line.**
- The neutralizing agent will **raise the pH level** of the condensate from harsh HVAC applications.
- Discharges **condensate from a condensing boiler or other condensate producing fixtures.** The condensate will drain into the system via **two 1½" inlets located on the side and top of the enclosure.**



TECHNICAL SPECIFICATIONS

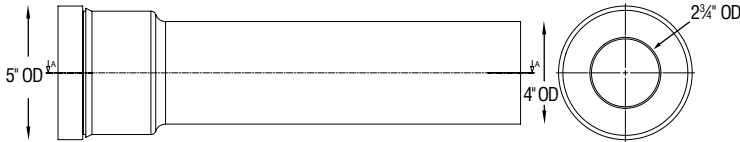
Operating Temperature: 160°F Max.
Boiler capacity up to (BTU/hr): 200,000
Boiler capacity up to (kW): 59
Connection diameter (inch): 1.5
Net weight (Lbs): 3.7
Load (Lbs) 2.9

EXTENSION PIPE • PART NO. 030

The 18" extension pipe was designed with the idea to simplify the installation process making it easier to **hide the pump and plumbing behind the wall**. It has an inner gasket which connects to the rear spigot of the Saniflo toilet creating a sealed connection.

The diameter of the extension pipe is 4" (5" bell housing). **It comes with a paintable decorative trim** that surrounds the pipe and provides a perfect finish.

** Suitable to be used with the Saniaccess3, Saniplus, Sanibest Pro and Saniaccess2 systems*



SANIALARM • PART NO. 050

This solution alerts homeowners of high water levels inside the pump. The Sanialarm helps prevent inappropriate use and encourages prompt intervention.

The Sanialarm has a level pressure switch that triggers an alarm fixed on the top of the unit if the volume of water exceeds the maximum allowed level. The alarm emits a continuous 80 dB warning sound until it is switched off or the problem is rectified.

The Sanialarm is battery operated and can be installed on most Saniflo macerating units and drain water pumps.

** Suitable for use with Saniplus, Sanibest Pro, Sanipack, Sanigrind Pro and Sanivite*



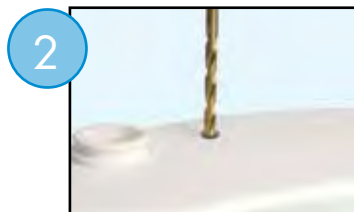
DESCALER • PART NO. 052

Prolongs the life of all Saniflo pumps by cleaning and disinfecting. This special formula is perfectly designed for cleaning and descaling the heart of your system and its internal components.

- Specifically created for use with Saniflo products
- Laboratory formulated with phosphoric acid
- Concentrated solution for optimum cleaning power
- Regular usage prolongs unit life and maintains efficiency
- Harmless to septic tank operation



1 Install two AA batteries (not included)



2 Drill a 3/8" diameter hole on top of the case where indicated.



3 Insert the tube and position the Sanialarm on top.



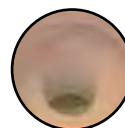
4 Turn the switch to the ON position.



Disconnect from the main power.



Pour the solution inside the bowl and flush the toilet once.

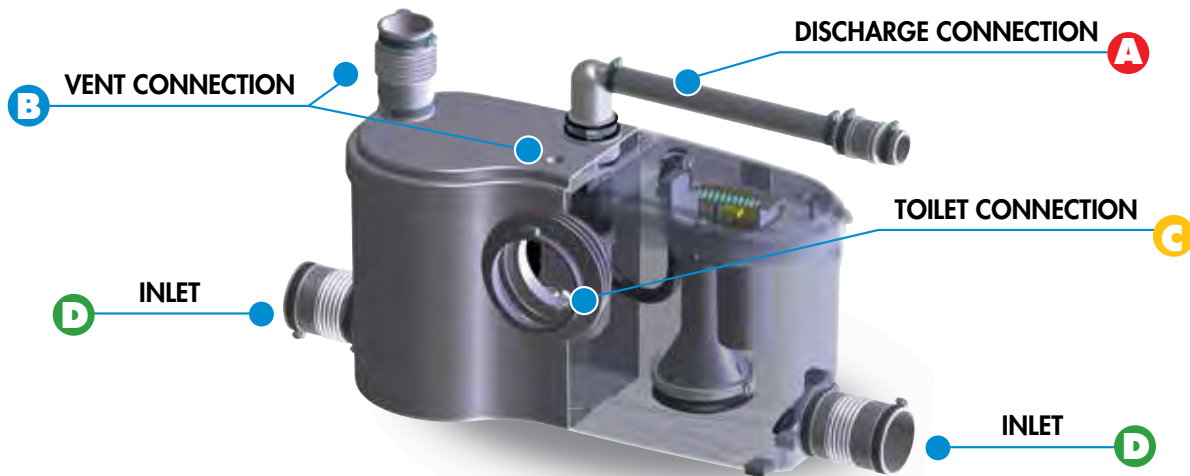


Let the solution sit inside the toilet and pump for a couple of hours.



Connect to main power supply and flush the toilet a couple of times.

INSTALLATION TIPS AND GUIDELINES

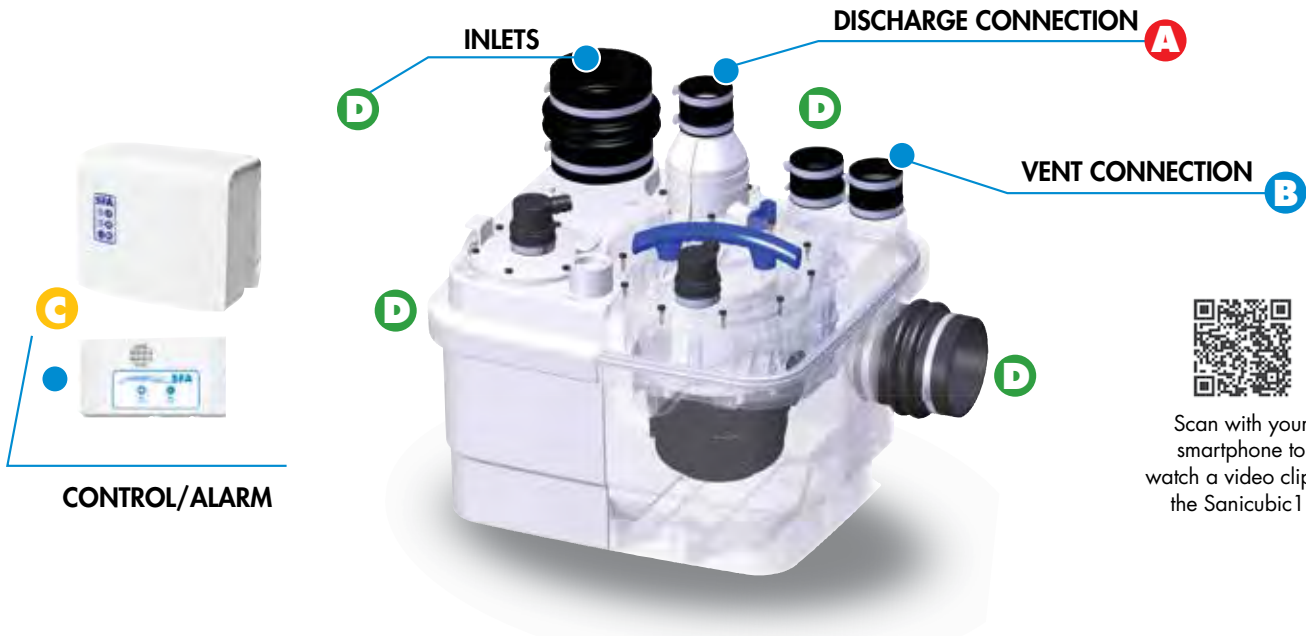


- ✓ System comes equipped with a **plastic discharge elbow with built-in check valve, a rubber step-down fitting** to adapt to the discharge pipe and all clamps needed to secure this connection. (*different design for Saniplus and Sanipack*)
- ✓ First horizontal run **cannot exceed more than 24"** prior to the vertical run. It's also not recommended to install long diagonal runs.
- ✓ It is recommended to install a **ball-valve along the discharge line for easy removal and service** of the pump.
- ✓ It's recommended to have **pipe supports** throughout the discharge run. **Insulate the pipe** if exposed to freezing conditions.
- ✓ After the vertical run, the discharge **pipe has to be sloped 1/4" per foot** until drained into the main sewer line. **After the second horizontal run, the system cannot pump vertically upwards again.**
- ✓ To prevent backflow, the discharge line has to be connected to the main drain line **through the top of the pipe using a wye fitting.**
- ⚠ When creating a 90 degree turn, install a **long sweeping elbow or use two 45-degree elbows back-to-back** to create a long radius and smooth turn. Do not use many elbows to keep the head loss at minimum.
- ⚠ When pumping directly downwards more than 9 feet, an **anti-siphon valve has to be installed at the highest point** to eliminate siphonage in the pipe.

- ✓ The 1/2" **breather hole located on the lid needs to be capped** with the provided plug to prevent any odors. (not needed on Saniaccess range)
- ⚠ A **rubber coupling along with clamps is provided** to connect the 1-1/2" vent pipe. **Vent needs to have air flowing freely in both directions.** No type of one-way vents, mechanical vents, studor vents or similar devices are allowed.

- ✓ A **rubber flexible coupling along with a clamp and cable tie are provided** to connect the spigot of the bowl to the pump. (*different connection for Sanipack and Sanigrind Pro*)
- ✓ Our extension pipe can be installed between the bowl and pump to **conceal the pipes and pump behind the wall.** (*not suitable for Sanipack or Sanigrind Pro systems*)
- ✓ It is **recommended to have an access panel** for easy-access to the pipes, water valve, GFCI plug and pump whenever the system is not in the same room.
- ⚠ The 3" or 4" sewer pipe exiting the toilet system **must enter the pump via a minimum 1/4" per foot gravity fall.** It is recommended for the toilet to be close to the system. (*For Sanipack and Sanigrind Pro only*)

- ✓ **Rubber couplings and clamps are provided** along with inlet plugs in case the side inlets are not used. There should be a **minimum 1/4" per foot gravity fall into the pump.** Internal non-return valves are included on each side inlet. (*not on Saniaccess2*)
- ⚠ The **shower/bathtub must be raised up either 6-8"** depending on the system (macerator or grinder). It's recommended to install a p-trap underneath each connecting fixture.



Scan with your smartphone to watch a video clip of the Sanicubic 1.

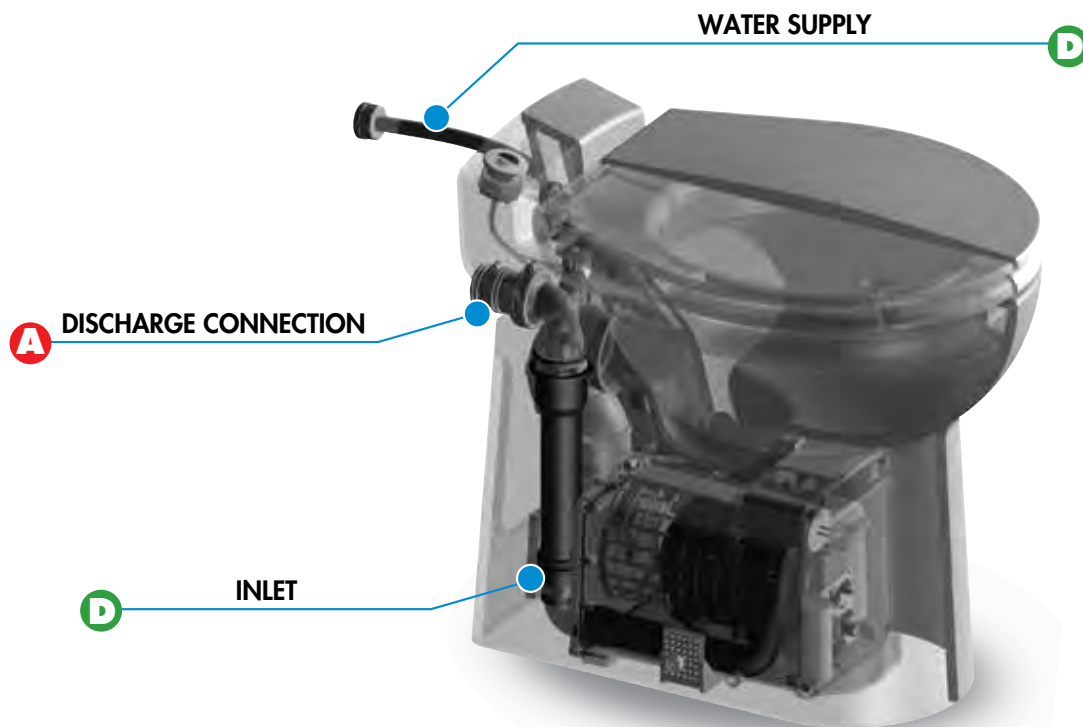
- ✓ **A rubber coupling along with clamps is provided** to connect to the 1-1/2" discharge pipe. A **non-return valve** (dual valves for Sanicubic 2) is built into the discharge assembly of the pump.
- ✓ It is recommended to install **a ball-valve along the discharge line for easy removal and service** of the pump.
- ✓ When creating a 90 degree turn, install **a long sweeping elbow or use two 45-degree elbows back-to-back** to create a long radius and smooth turn. Do not use many elbows to keep the head loss at minimum.
- ✓ When pumping directly downwards more than 9 feet, an **anti-siphon valve has to be installed at the highest point** to eliminate siphonage in the pipe.
- ✓ It's recommended to have **pipe supports** throughout the discharge run. **Insulate the pipe** if exposed to freezing conditions.
- ! System can handle long vertical and horizontal runs as well as **diagonal uphill runs**. For additional information, contact technical support.
- ! After a vertical run, it is recommended to **slope the pipe 1/4" per foot** until drained into the main sewer line. When pumping long distances, it is recommended to install an **additional check valve at the beginning of the run as well as cleanouts throughout the run**.

- ✓ The **electrical section needs to be vented** with the provided vinyl clear hose. Use clamp to secure and extend as high as possible.
- ! A **rubber coupling along with clamps is provided** to connect to the vent pipe. Any 1-1/2" inlet on top can be used as the vent connection. **Vent needs to have air flowing freely in both directions**. No type of one-way vents, mechanical vents, studor vents are allowed.

- ✓ **An external control panel and an alarm system** (visual and audible) are provided with the Sanicubic 1 and 2 (15 ft. long cable). The electronics are separate from the enclosure as the system is **IP68 rated** for possible submergence.

- ✓ **Plugs are provided** in case side inlets are not used. **4" and 1-1/2" couplings along with clamps** are provided to connect to the drain pipes.
- ! There should be a minimum of **1/4" per foot gravity fall into the pump**. **External check valves must be installed** when using either side inlet.
- ! There should be a **minimum 10" height difference from the bottom of the enclosure to the bottom of the shower/bathtub base, toilet flange or connecting fixture**. The water level inside the pump needs to be this high for the pump to turn on.

INSTALLATION TIPS AND GUIDELINES



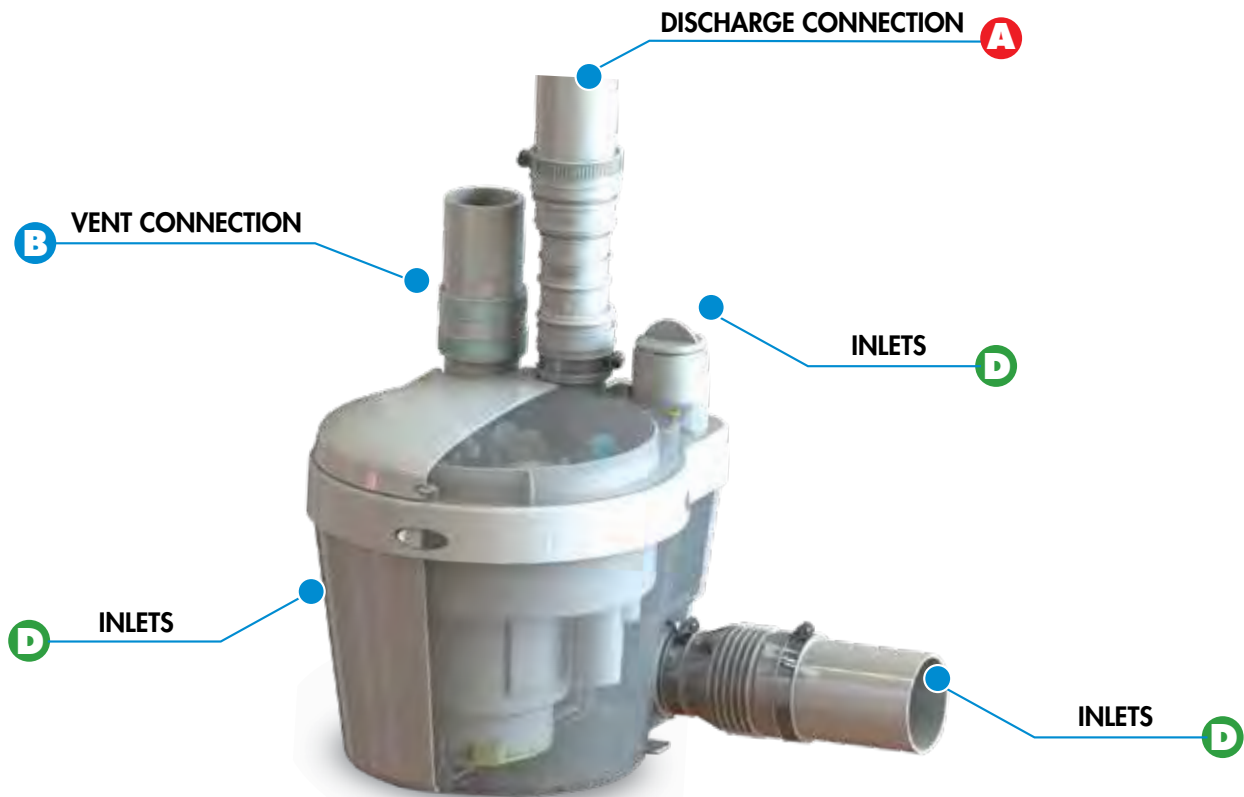
Scan with your smartphone to watch a video clip of the Sanicompact.

- ✓ System comes equipped with a **plastic discharge elbow with built-in check valve**, a **rubber step-down fitting** to adapt to the discharge pipe and all clamps needed to secure this connection.
- ✓ First horizontal run **cannot exceed more than 24"** prior to the vertical run. It's also **not recommended to install diagonal runs**.
- ✓ It is recommended to install a **ball-valve along the discharge line for easy removal and service** of the pump.
- ✓ It's recommended to have **pipe supports** throughout the discharge run. **Insulate the pipe** if exposed to freezing conditions.
- ✓ After the vertical run, the discharge **pipe has to be sloped 1/4" per foot** until drained into the main sewer line. **After the second horizontal run, the system cannot pump vertically upwards again.**
- ✓ To prevent backflow, the discharge line has to be connected to the main drain line through the **top of the pipe using a wye fitting**.
- ⚠ When creating a 90 degree turn, install a **long sweeping elbow or use two 45-degree elbows back-to-back** to create a long radius and smooth turn. Do not use many elbows to keep the head loss at minimum.
- ⚠ When pumping directly downwards more than 9 feet, **an anti-siphon valve has to be installed at the highest point** to eliminate siphonage in the pipe.

- ✓ The system comes with a water supply hose which connects to the motor's solenoid valve and to the water supply valve. **A 3/8" compression fitting (not provided) needs to be adapted** to the end of the hose to complete the connection.
- ✓ A rubber hose and clamps are provided to connect the sink drain pipe to the motor. Note that the inlet connection on the motor comes closed from factory. This would **need to be cut/saw open if a sink is being used**.



There is **no need to have an external vent on the Sanicompact or Sanistar** as both have internal vents. Note that the operation, specifications and performance of these systems are very similar. The main difference between these models is the design of the bowl as the **Sanicompact is floor-mounted and the Sanistar is wall-mounted (comes with wall carrier)**.



- ✓ Comes with a **plastic discharge fitting with built-in check valve, a rubber step-down fitting** to adapt to the discharge pipe and all clamps needed.
- ✓ First horizontal run **cannot exceed more than 24"** prior to the vertical run. It's also **not recommended to install diagonal runs**.
- ✓ It is recommended to install a **ball-valve along the discharge line for easy removal and service of the pump**.
- ✓ After the vertical run, the discharge **pipe has to be sloped 1/4" per foot** until drained into the main sewer line. **After the second horizontal run, the system cannot pump** vertically upwards again.
- ✓ To prevent backflow, the discharge line has to be connected to the main drain line **through the top of the pipe using a wye fitting**.
- ! When creating a 90 degree turn, install a **long sweeping elbow or use two 45-degree elbows back-to-back** to create a long radius and smooth turn. Do not use many elbows to keep the head loss at minimum.

- ✓ The 1/2" **breather hole located on the lid needs to be capped** with the provided plug to prevent any odors. (not needed for Saniswift)
- ✓ There may be **different ways of venting the product**. Please check with Saniflo's technical support and/or local codes.
- ! A **rubber coupling along with clamps is provided to connect the 1-1/2" vent pipe**. **Vent needs to have air flowing freely in both directions**. No type of one-way vents, mechanical vents, studor vents or similar devices are allowed. (For Sanishower, please see manual)

- ✓ **Rubber couplings and clamps are provided** along with inlet plugs in case the side inlets are not used. There should be a **minimum 1/4" per foot gravity fall into the pump**. Internal non-return valves are included on each side inlet.
- ! The **shower/bathtub must be raised up minimum 6"** off the floor. It's recommended to install a p-trap underneath each connecting fixture. The shower base needs to be **raised up minimum 5" if using a Sanishower drain pump**.

Try **SANIFLO**
for your next
bathroom
addition or
home project.



RED FLAGS TO REMEMBER

- **Cutting concrete undermines structural integrity:** Any time you cut into a slab, you decrease the foundational integrity of the building — no matter how close to a perfect cut you make. You may be able to patch the hole you create well enough to eliminate any aesthetic objections. But is that floor as solid as it was before you began to cut? I would bet not — especially if you fail to use the same or a better grade of concrete. And if the home sits on ground that's less than solid, such as sand, it may begin to settle differently after the cut.

In a multi-floor building, cutting into a slab on the second, third, fourth levels to run plumbing beneath the floor would be a huge no-no. That's why commercial renovation projects that require additional plumbing will typically use external soil stacks, putting the external plumbing tree on the outside of the building. Well, if you shouldn't cut into any of the upper levels of a building, why would you think you could safely cut into the first-level — the slab on which everything else sits?

- Cutting concrete is unpredictable: Installers don't always know the depth of the concrete, whether it sits on rocks or a ledge, or whether it contains rebar or tension cables. You can cause major damage if you accidentally cut one of those cables. Professional contractors understand this hazard and never begin cutting without first using an x-ray machine to determine the positioning of the cables. But even then, the slab was most likely designed to use a certain number of cables with a certain amount of concrete. If you begin removing chunks of concrete, those tension wires may begin pulling in a different direction, creating integrity problems and causing delays and extra expense.
- Cutting concrete is seldom, if ever, perfect: I may try as hard as I can to cut a perfect circle, square or rectangle into a floor for burying a sewage ejector and its waste-storage basin — but no way. That "perfect" shape will inevitably crack on the edges and fray outward in unintended directions, often well beyond the hole I am digging. And once a stress crack is created, how far down does it extend into the footing or into the walls?
- Cutting concrete creates leaks and seepage: Once a stress crack is generated, radon and ground-water penetration is a major issue, with the latter bringing unwanted moisture and mold problems as well.

You don't need a major flood to trigger these hazards. A higher-than-usual water table because of extended wet weather, such as in the spring, could be the culprit. Even if the cracks and seepage are not large enough to jeopardize the foundation, enough wetness could infiltrate to ruin walls, floors and furnishings in a finished living area — including that beautiful new bathroom that necessitated digging through the concrete in the first place.

OTHER SERIOUS CONCERNS

Of course, there are other negatives you should carefully consider:

- **Dust, dust and more dust:** Breaking through concrete generates an extraordinary amount of noise and dust. Happily, the noise stops when the jackhammers and saws shut down, and the workers finish their backbreaking job of hauling concrete chunks off the premises. But the dust doesn't fade nearly so quickly. That's because it is not conventional household dust, but a thick particulate that inevitably gets into everything, including the central air system, which means it can be around for a long time if not properly handled. I have heard of homeowners finding pockets of concrete dust years after a project finished.
- **Cost factors:** Last, but certainly not least, there's the problem we mentioned at the outset of this article, the one that often proves to be the biggest deal-breaker of all: cost. The actual expense of cutting concrete depends on the size and complexity of the job, as well as local labor availability and rates. In some parts of the nation, the per-foot rate may be a few hundred dollars; in others, \$1,000 or more.

Seeing these costs, some plumbers outsource the work and are content to make little or no markup on their sub's charges. Others, preferring to keep the job in house, absorb the time and cost of renting the cutting and hammering tools and lugging them on and off the job site; or, if they choose to buy, the cost of maintaining and replacing these tools, as well as depreciation.

SANIFLO'S ADVANTAGES AND BENEFITS

Plan your project using the tools provided on our website to choose the best system for your application.

Find **dealers and installers** near your area by visiting our website at www.saniflo.com/ www.saniflo.ca.

Want to turn an **unfinished room** into a finished bathroom or laundry room?

You can find answers to frequently asked questions by visiting our website or by calling our **live toll free number** and speaking with a certified technician.



Enjoy your new addition with the confidence of owning a great system from a reputable company with more than **60 years of experience**.

Download our application to find some of the most common questions and the manuals for each of our products.

Live technical support available to assist with any issues or provide information on warranty services.

REGISTER AND EXTEND YOUR WARRANTY AN ADDITIONAL YEAR!

To extend your limited warranty, simply visit our website and complete the online registration form*



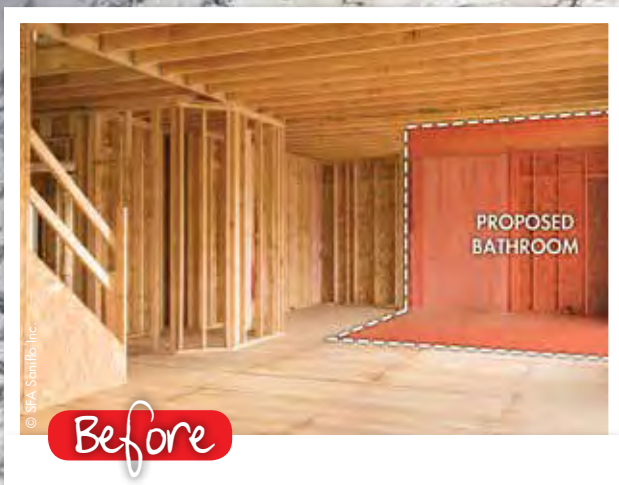
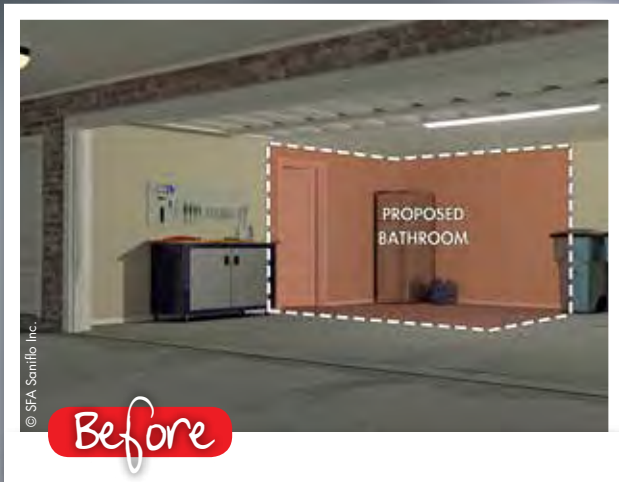
For any questions, please contact us at
800-571-8191 (US)
800-363-5874 (CDN).

TERMS AND CONDITIONS FOR EXTENDED WARRANTY

Product must have been purchased on or after January 1st, 2016 (Proof of purchase is required). The product must be registered online by filling out the registration form. *A valid copy of the sales receipt will need to be uploaded. To take advantage of this offer, the warranty must be properly submitted within the first year from date of purchase. The 2 Year Limited Warranty applies for all products not registered within the first year from date of purchase.

STOP BREAKING CONCRETE

INSTALL A BATHROOM ANYWHERE



USA – Toll Free:
800-571-8191
www.saniflo.com

SANIFLO[®]
A PUMP COMPANY SINCE 1958

Canada – Toll Free:
800-363-5874
www.saniflo.ca

