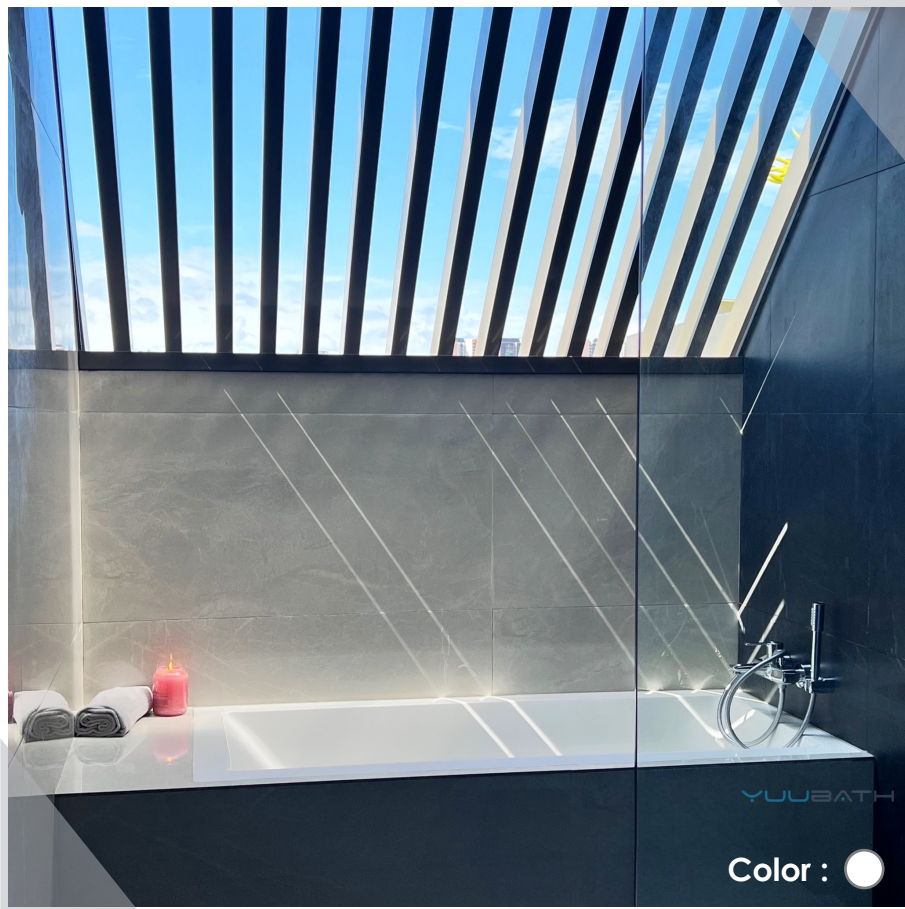
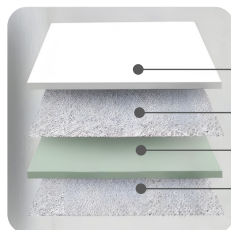


KERRY



Material



- 4mm Acrylic (PMMA) layer
- Fiberglass Insulation Layer
- Epoxy Resin Structure Enhanced Layer
- Thicken Fiberglass Resin Polymer (FRP) Insulation Layer

Overall Thickness : Between 5mm to 7mm

Features



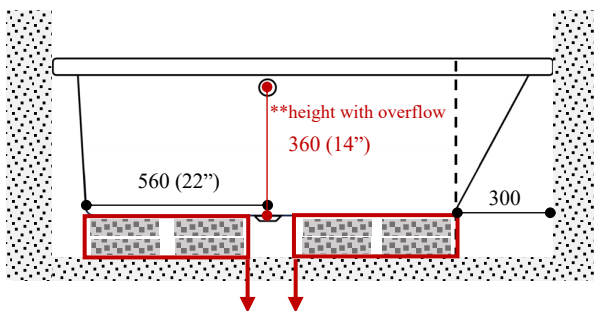
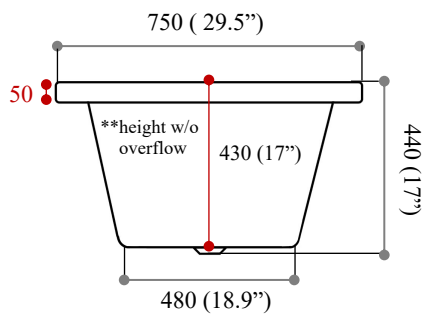
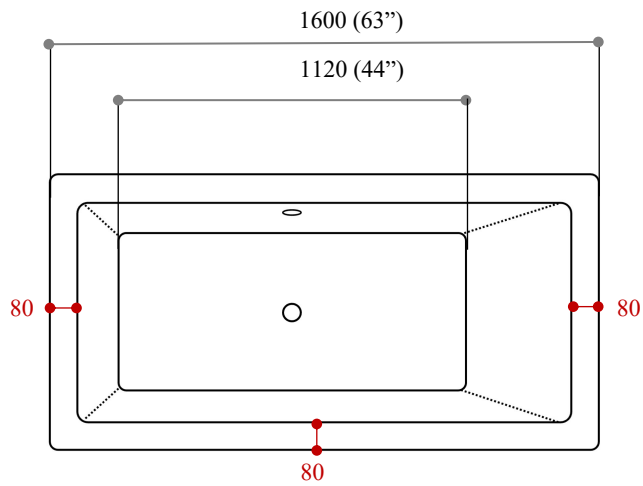
- Dome cap center pin clicker waste plug
- Extendable drainage hose

Optional



- PU Bath Pillow
- SS304 Grip Bar
- Bamboo Bath Caddy
Adjustable Width 750 – 1100mm

KERRY 1600



RECOMMENDED:

- Provide bathtub base with **maximum** support
- Raised height of 120 – 150mm

* Tolerance +/- 5mm

* Not drawn to scale

* Dimensions in millimeters (mm)



Key Information

- Built-in Acrylic Bathtub
- Center drainage point
- Overflow (with or without)
- Indoor use
- 1600L x 750W x 440Hmm
- Without Overflow
 - Approx. 190 Litre | 50 Gal
- With Overflow
 - Approx. 150 Litre | 39 Gal

INSTALLATION

- Drop-in
- Top Mount
- Semi-recessed
- Recessed

YUUBATH