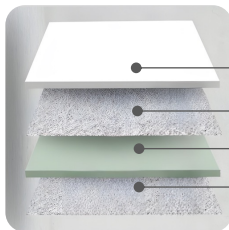


BRITT



Material



- 4mm Acrylic (PMMA) layer
- Fiberglass Insulation Layer
- Epoxy Resin Structure Enhanced Layer
- Thicken Fiberglass Resin Polymer (FRP) Insulation Layer



- SS304 Support Structure
- 1.6 – 1.8mm thick

Features



- Dome Cap Drainage Cover



- Linear Overflow Plate in Chrome



- Rotational Water Seal

- Extendable drainage hose

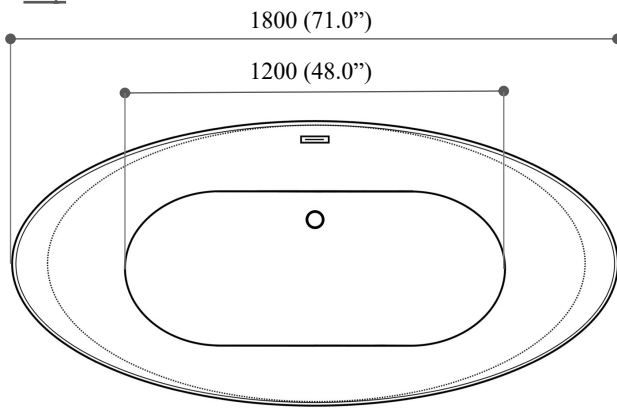
Optional



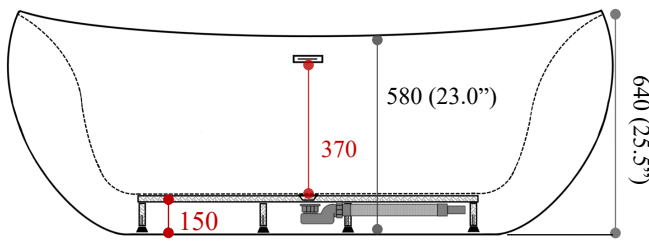
- Bamboo Bath Caddy
Adjustable Width

BRITT 1800

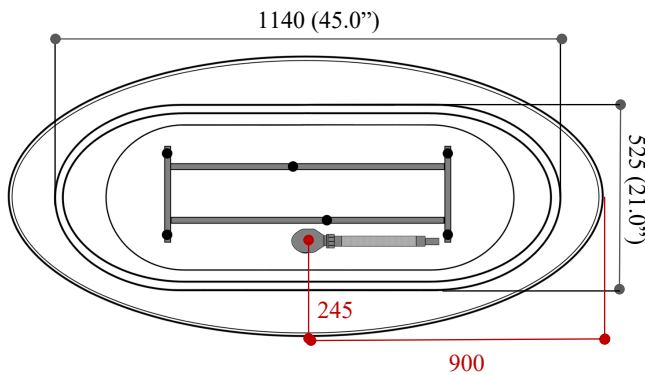
Top



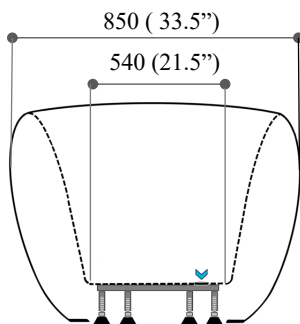
Side



Bottom



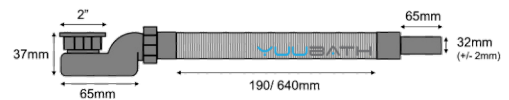
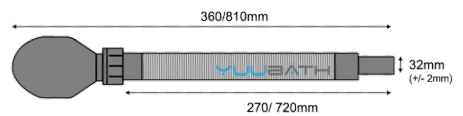
Rear



YUUBATH

Key Information

- Freestanding Acrylic Bathtub
- Center sided drainage point
- Indoor use
- 1800L x 850W x 640Hmm
- Approx. 195 Litres | 51 Gal
- SS304 Support frame
- 6 Adjustable Supporting Feet (leveling adjustment purpose)



NOTE

- ** Tolerance +/- 5mm
- ** Not drawn to scale
- ** Dimensions in millimeters (mm) unless otherwise stated
- ** Illustrations and data specifications are not binding in detail