

MODEL SL

SELF LUMINOUS EXIT SIGN

**NO WIRING
NO ELECTRICITY
NO BATTERIES
NO MAINTENANCE**



ALWAYS ON ALWAYS WORKING

- **No Wiring**
- **No Electricity**
- **No Batteries**
- **No Maintenance**
-



**UNLIMITED
LIGHTS**
POWERED BY UL

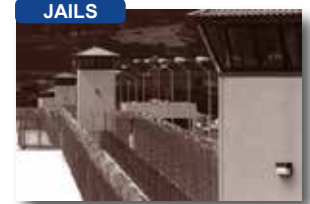
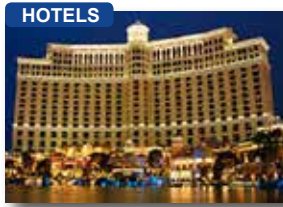


UNLIMITED LIGHTS LLC
3000 Old Alabama Rd, STE 119-423
Alpharetta, GA 30022
800-590-8599
sales@unlimitedlights.com

Self Luminous (SL) FEATURES

- VANDAL RESISTANT
- OPERATING TEMPERATURE - 76°F TO +212°F
- EXPLOSION PROOF
- WATERPROOF
- REQUIRES NO WIRING
- FIELD SELECTABLE DIRECTION ARROWS
- INSTALLS IN MINUTES
- SUITABLE FOR CLEAN ROOM APPLICATIONS
- NO BULB TO FAIL OR REPLACE
- CORROSION RESISTANT
- FAIL SAFE
- RECYCLABLE IF RETURNED TO MANUFACTURER
- LIGHTWEIGHT
- 10 OR 20 YEAR LIFE
- TOTALLY SELF POWERED

TYPICAL APPLICATIONS



* NO ELECTRICITY

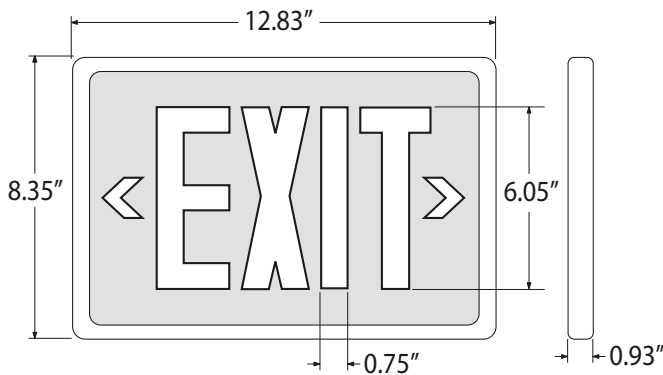
* NO BATTERIES

* ALWAYS ON

* SELF-POWERED

*NO MAINTENANCE

SPECIFICATIONS



ILLUMINATION SOURCE

- Borosilicate (hard) glass
- Internally coated with phosphorescent powder
- Filled with Tritium gas

BRIGHTNESS

- Minimum brightness at time of manufacture of 0.15 foot lamberts.

CONSTRUCTION

- Encased in high-impact, fire-retardant ABS plastic

COMPLIES WITH:

- NFPA Life Safety Code 101
- U.L. 924
- City of Los Angeles
- State of California
- Council of American Building Officials (ICBO, SBCCI)
- OSHA
- USNRC
- ISO 9001

* NO ELECTRICITY

* NO BATTERIES

* ALWAYS ON

* SELF-POWERED

*NO MAINTENANCE

ORDERING INFORMATION

MODEL	LIFE IN YEARS	FRAME COLOR	FACES	LEGEND COLOR	ACCESSORIES
SL	10 - 10 Years	GY - Gray	S - Single	RD - Red	WG - Wire Guard
	20 - 20 Years	BK - Black	D - Double	GN - Green	AF - Aluminum Frame
		WH - White		BK - Black	IF - Institutional Frame
					PM - Pendant Mount
					SC - Security Cover
					RM - Recessed Mount

ORDERING EXAMPLE: SL-10-BK-S-RD = SL, 10 Year, Black Frame, Single Face Sign with Red Legend

ALUMINUM FRAME - AF

ACCESSORY



• *No Wiring* • *No Electricity* • *No Batteries* • *No Batteries* • *No Maintenance* •



**UNLIMITED
LIGHTS**
POWERED BY UL

UNLIMITED LIGHTS LLC

3000 Old Alabama Rd, STE 119-423

Alpharetta, GA 30022

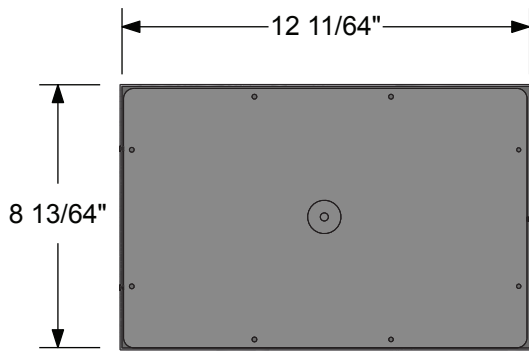
800-590-8599

sales@unlimitedlights.com

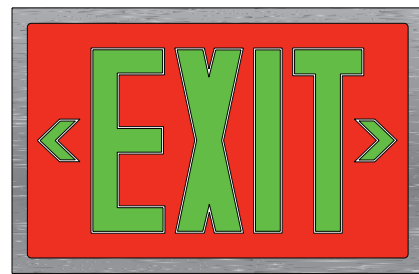
SL Aluminum Frame

Aluminum frame is 8 13/64" high 12 11/64" wide and 7/8" deep.

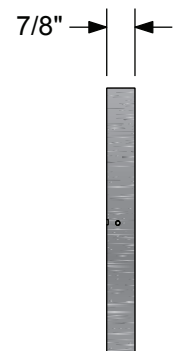
SPECIFICATIONS



Rear View



Front View

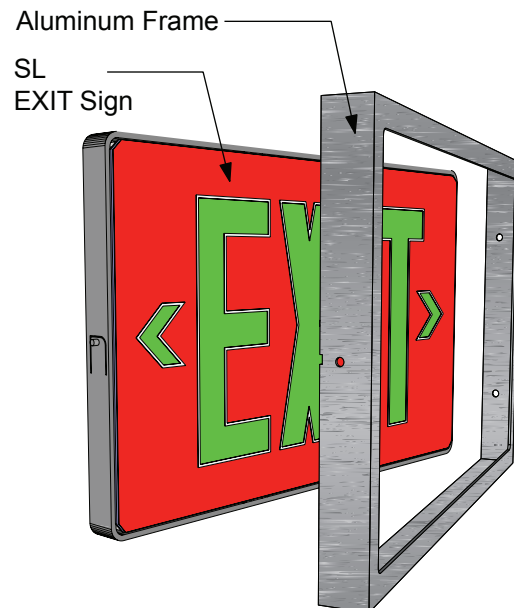


Side View

INSTALLATION

BASIC INSTALLATION

1. Remove pastic frame if present.
2. Replace with Aluminum Frame, ensure tabs on case are aligned with the holes on the Aluminum Frame.





• *No Wiring* • *No Electricity* • *No Batteries* • *No Batteries* • *No Maintenance* •



**UNLIMITED
LIGHTS**
POWERED BY UL

UNLIMITED LIGHTS LLC

3000 Old Alabama Rd, STE

119-423 Alpharetta, GA 30022

800-590-8599

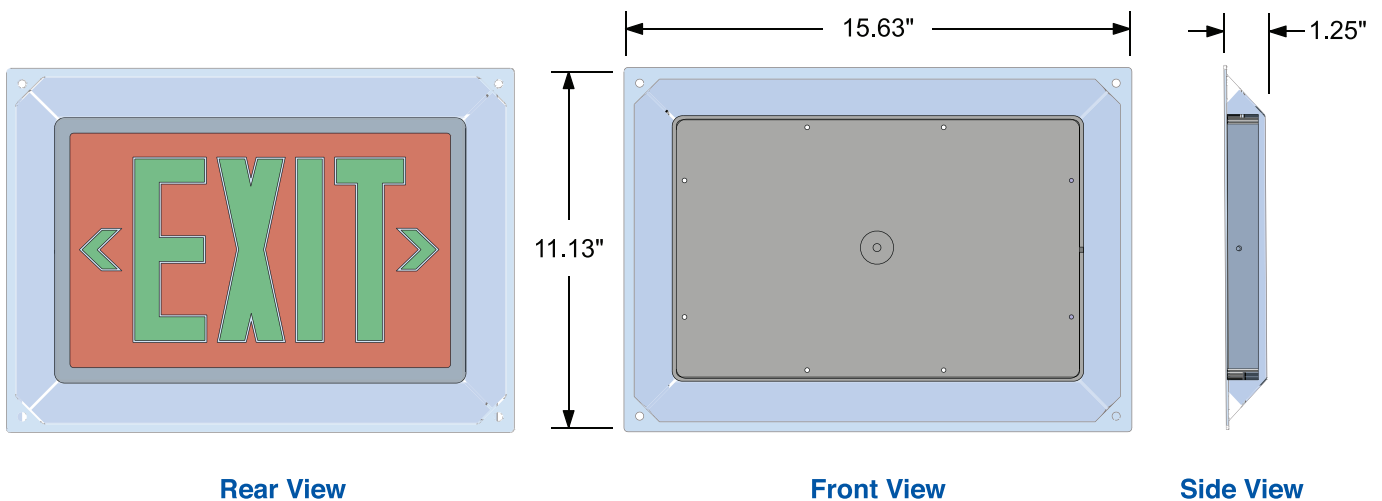
sales@unlimitedlights.com

SL Security Cover

THIN LINE PROTECTIVE COVER FOR ANY APPLICATION

Made of clear high impact polymer, this security cover accommodates above the door or low level mounting and protects SL self-luminous exit signs from the everyday knocks and bumps of a busy environment.

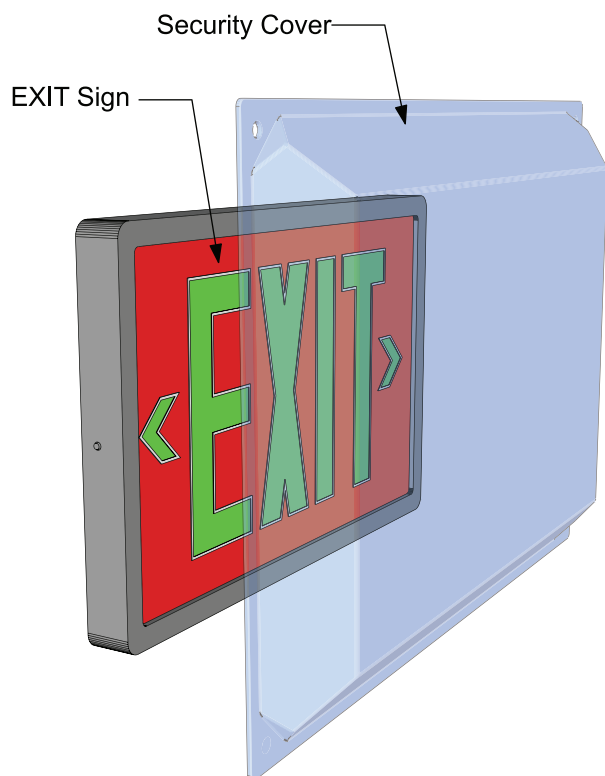
SPECIFICATIONS



INSTALLATION

THREE STEP BASIC INSTALLATION

1. Affix SL EXIT sign to wall.
2. Center Security Cover over sign, mark holes.
3. Affix Security Cover to wall, use anchors if necessary (not supplied).





- *No Wiring* • *No Electricity* • *No Batteries* • *No Batteries* • *No Maintenance* •

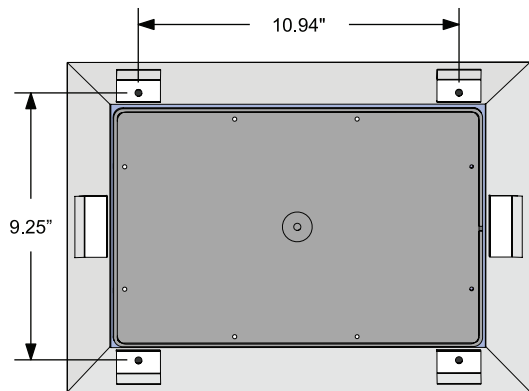


UNLIMITED LIGHTS LLC
3000 Old Alabama Rd, STE 119-423
Alpharetta, GA 30022
800-590-8599
sales@unlimitedlights.com

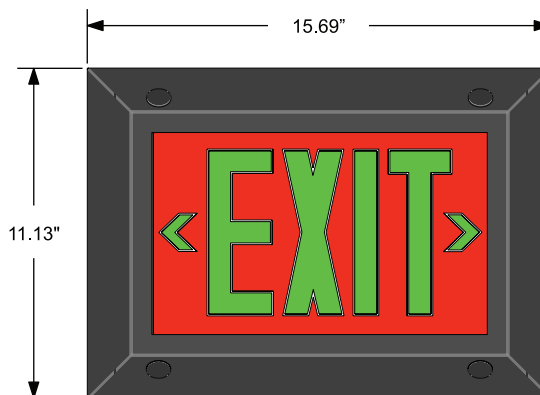
SL Institutional Frame

The Institutional frame is 11.13" tall and 15.69" wide. The unit includes a polycarbonate window.

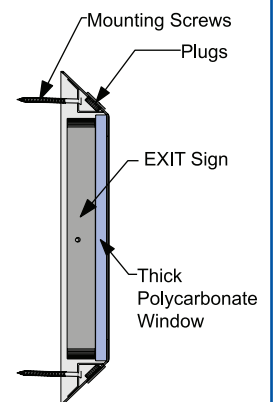
SPECIFICATIONS



Rear View



Front View

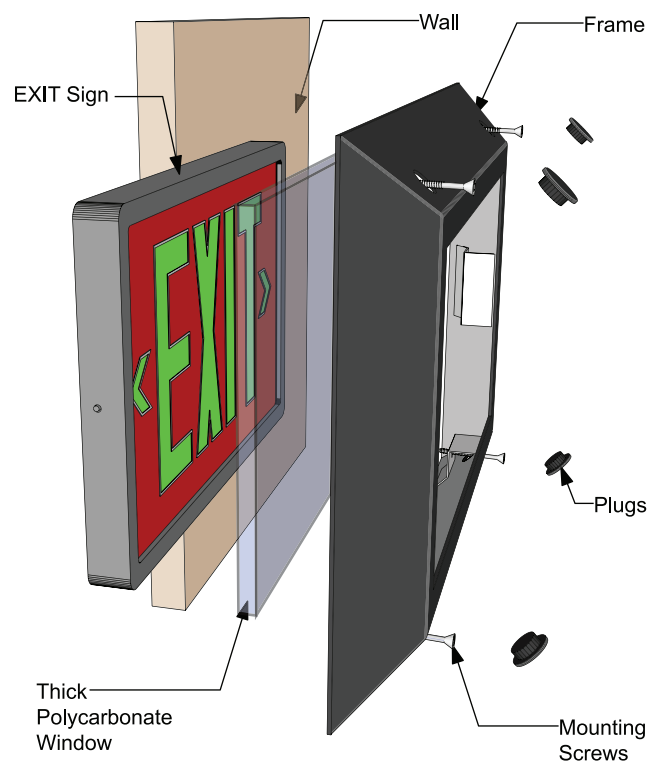


Side View

INSTALLATION

THREE STEP BASIC INSTALLATION

1. Affix SL EXIT sign to wall.
2. Center Institutional Frame over sign, mark holes.
3. Affix Institutional Frame to wall, use anchors if necessary (not supplied).



PENDANT MOUNT - PM

ACCESSORY



• *No Wiring* • *No Electricity* • *No Batteries* • *No Batteries* • *No Maintenance* •



**UNLIMITED
LIGHTS**
POWERED BY UL

UNLIMITED LIGHTS LLC

3000 Old Alabama Rd, STE 119-423

Alpharetta, GA 30022

800-590-8599

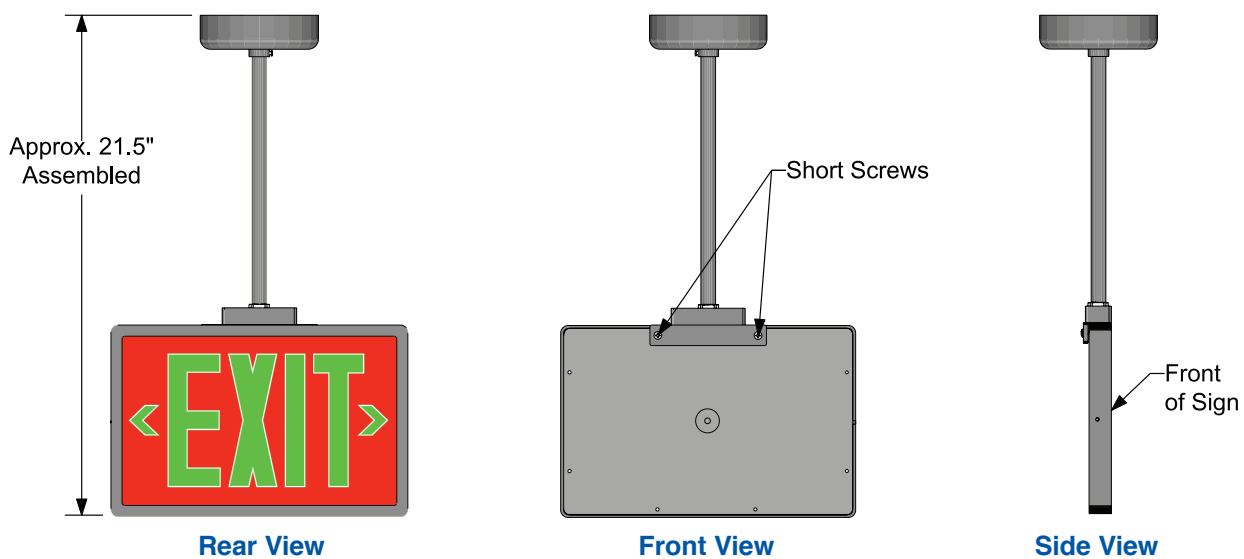
sales@unlimitedlights.com

SL Pendant Mount

There are many locations where a single or double-faced sign needs to be placed on an angled wall or sloped ceiling. Traditional brackets would make the sign look lopsided and unattractive.

For these situations, order one of our pendant mounts which allow you to hang from high ceilings. You can pivot these pendants until the exit sign is completely level with the ground.

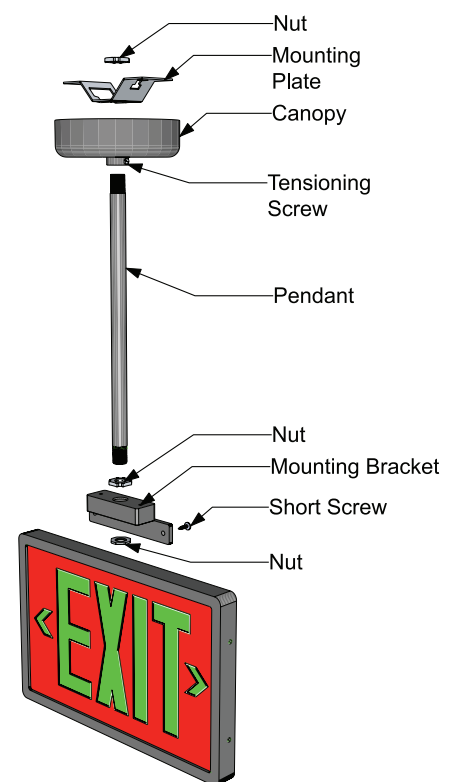
SPECIFICATIONS



INSTALLATION

BASIC INSTALLATION

1. Affix mounting bracket to pendant.
2. Affix mounting bracket and pendant to SL EXIT Sign, ensure pendant is not too loose.
3. Affix mounting plate to ceiling or electrical box.
4. Slide canopy over pendant, leaving it loose, open side up.
5. Thread nut on to pendant, about half way down the threads.
6. Slide pendant, canopy and sign assembly into the mounting plate ensuring that the nut will prevent the sign assembly from falling.
7. Slide canopy up until flush with ceiling, tighten tensioning screw.



RECESSED MOUNT - RM

ACCESSORY



• *No Wiring* • *No Electricity* • *No Batteries* • *No Batteries* • *No Maintenance* •



**UNLIMITED
LIGHTS**
POWERED BY UL

UNLIMITED LIGHTS LLC

3000 Old Alabama Rd, STE
119-423 Alpharetta, GA 30022

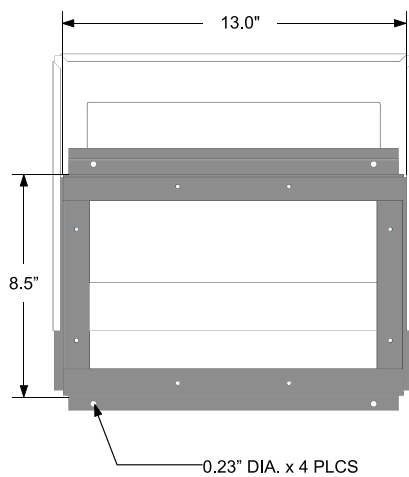
800-590-8599

sales@unlimitedlights.com

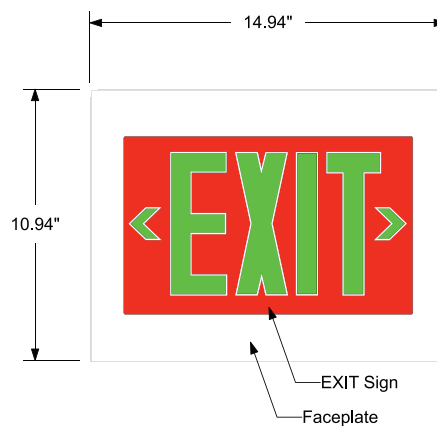
SL Recessed Mount

We've taken the institutional look out of life safety signage. As a matter of fact, we've hidden practically everything but the message. And that's the real beauty of the Recessed Mount. The flush mounting feature makes this unit virtually vandal-proof. And of course it can be mounted without the need for wiring or outlets.

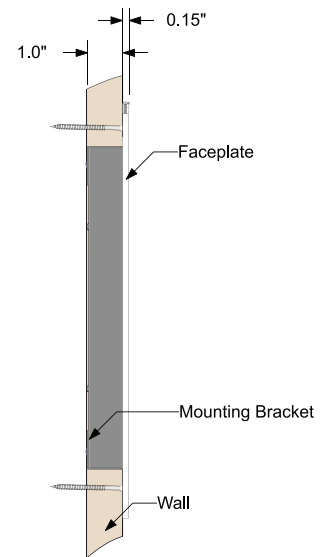
SPECIFICATIONS



Rear View



Front View



Side View

INSTALLATION

FOUR STEP BASIC INSTALLATION

1. Cut out hole in wall.
2. Affix SL EXIT sign to Mounting Bracket
3. Affix Mounting Bracket to wall.
4. Install Faceplate.

Align Faceplate from top and push downward into place over mounting bracket.

