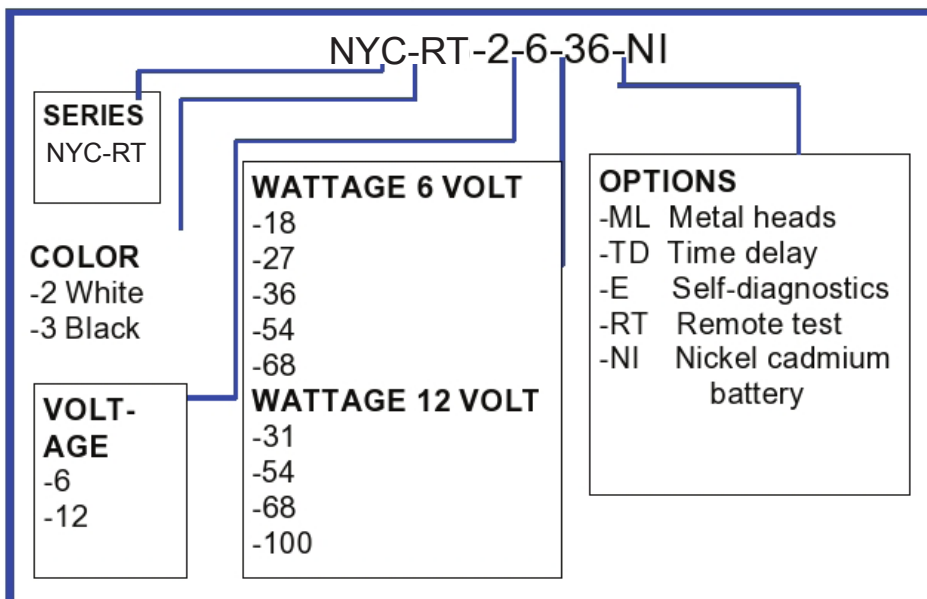


Series NYC-RT offers emergency lighting in applications where wall mounted units are not desirable. NYC-RT utilizes the existing suspended (T-bar) grid ceiling and sits across the 2 foot span. GTB offers a wide range of wattages in both 6 volt and 12 volts.

STANDARD FEATURES

- Dual 120/277 volt 60 Hz input, other voltages are optional.
- Fully automatic solid state charger returns battery to full charge after return of AC supply.
- Solid state relay supervision features low battery voltage disconnect, AC lockout and brownout protection.
- High charge and AC ready LED indicators.
- Long life, valve regulated lead acid, maintenance free battery provides a minimum of 90 minutes of emergency illumination.
- Heavy duty steel construction finished in white powder coat paint. Other colors are optional.
- Unit comes with two 9 watt heads. NYC units are supplied with 12 watt lamps.
- Remote test is optional and requires an IRT hand held tester.
- MADE IN THE USA



Remote Test

Hand held remote test with infrared signal.

Self Diagnostic System Options

Microprocessor controlled state of the art self-diagnostic system provides visual and audio indicators for power failure transfer to battery power and lamp failure.

AGENCY APPROVALS

ETL Listed to UL924

Meets or exceeds the requirements of the National Electrical Code and NFPA 101 Life Safety Code.

NYC approval number 41262

WARRANTY

See warranty information at back of catalog for details.

Sales Department

(T) 800-480-0707

sales@emergencylights.net

www.emergencylights.net