

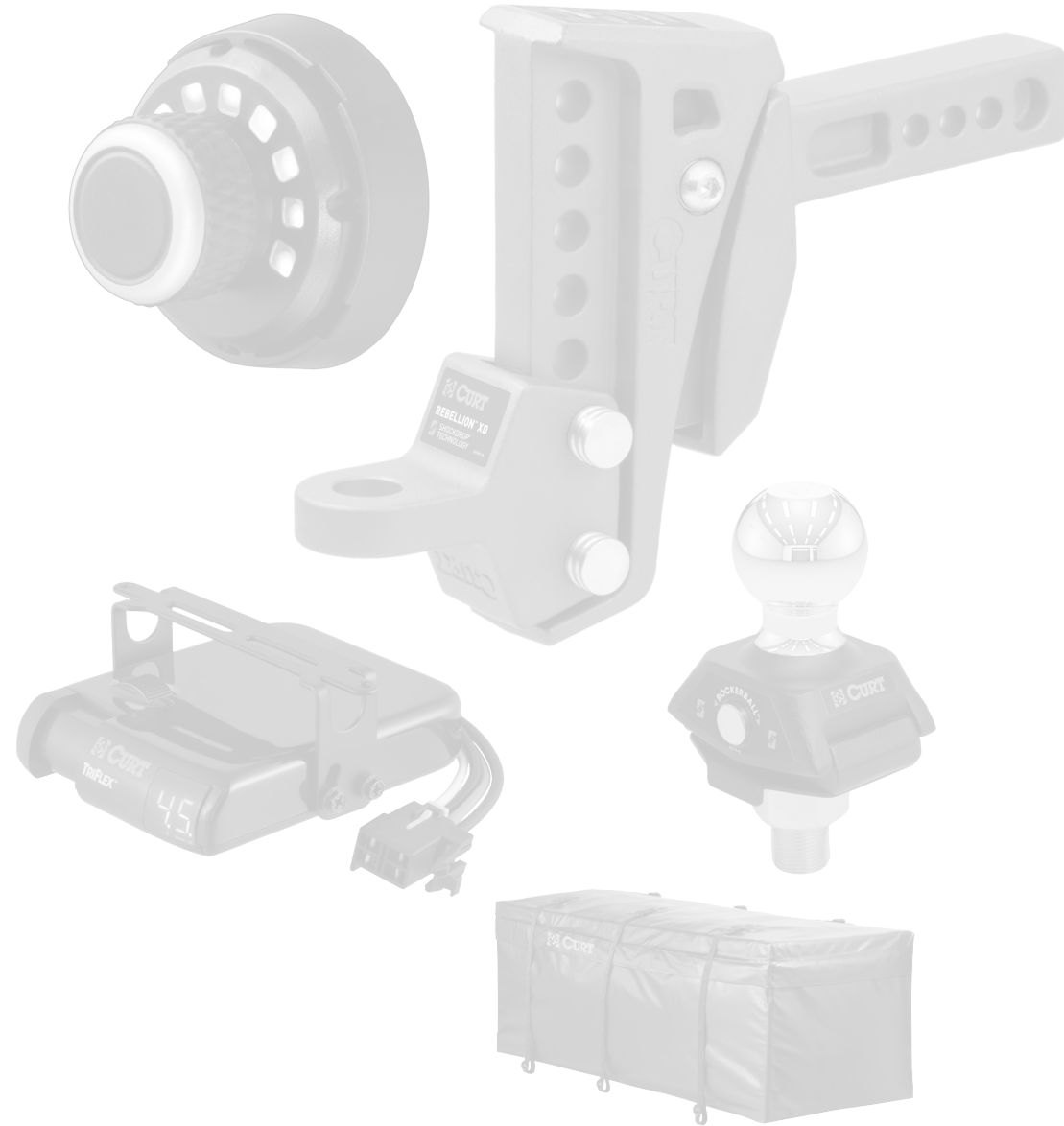


Towing Accessories Catalogue

October 2022

Contents

Brake Controllers	3
Cargo Solutions	5
Rebellion™ Range	6
RockerBall™	8
Towing Accessories	9



⚠ Warning: Never exceed towing capacity of towbar or vehicle, always refer to the towing capacity of towbar and vehicle owner's manual.



CURT trailer brake control options are world-class towing safety devices featuring easy installation and intuitive controls. Brake controllers offer smooth, precise stops, applying the exact amount of brake power based on the vehicle's momentum.



Spectrum-2™ Brake Controller

SKU: 529022

The CURT Spectrum-2 Brake Controller is a fully compatible unit, able to operate up to eight trailer brakes at a time (1-4 axles). It can be used on vehicles with ABS brakes and cruise control and electric over hydraulic, and it works with low-voltage and PWM systems.

The interface of the Spectrum-2 Brake Controller is simple but powerful. It is a single rotary knob with a push-button in the centre that allows the driver to adjust brake power output. It is equipped with ten tri-colour LEDs (red, blue and green) to show the automated power output of the control. There is no need for a separate display or additional controls, keeping the dash of your vehicle clean, professional, and uncluttered.



TriFlex™ Proportional Trailer Brake Controller

SKU: 529140

Compact size, digital display, and the ability to manage up to eight brakes at a time with Nine levels of sensitivity adjustment for varying loads or driving conditions. This feature that sets the TriFlex™ apart from many others is its triple-axis motion-sensing accelerometer. This integrated circuit component allows the TriFlex™ to detect every motion of your vehicle and trailer with exact precision and to then apply the perfect amount of braking power for every situation. The TriFlex™ also automatically adjusts brake output when going up or down a hill and is compatible with anti-lock brakes and cruise control.



The Echo® Mobile Trailer Brake Controller is truly a brake controller for the modern age. It plugs into your vehicle and wirelessly connects to your smartphone via Bluetooth with a customisable app for Apple or Android phones which stores multiple vehicle-trailer profiles, allowing you to control and monitor all trailer brake activity right from your own device.



12V PIN 11

Echo® Mobile Brake Controller (Jayco)

SKU: 529190

The Echo® Mobile Trailer Brake Controller is a portable design with Zero-tool, plug-and-play install between vehicle-trailer connectors that can easily switch between vehicle-trailer combinations with durable, weather-resistant construction.

It features automatic calibration to help eliminate setup requirements. Motion-sensing accelerometer for highly responsive smooth stops and compatible with low-volt, PWM, ABS, cruise control and electric over hydraulic and built-in reverse-polarity and short-circuit protection.

- Power Pin 11 - Jayco Compatible



12V PIN 2

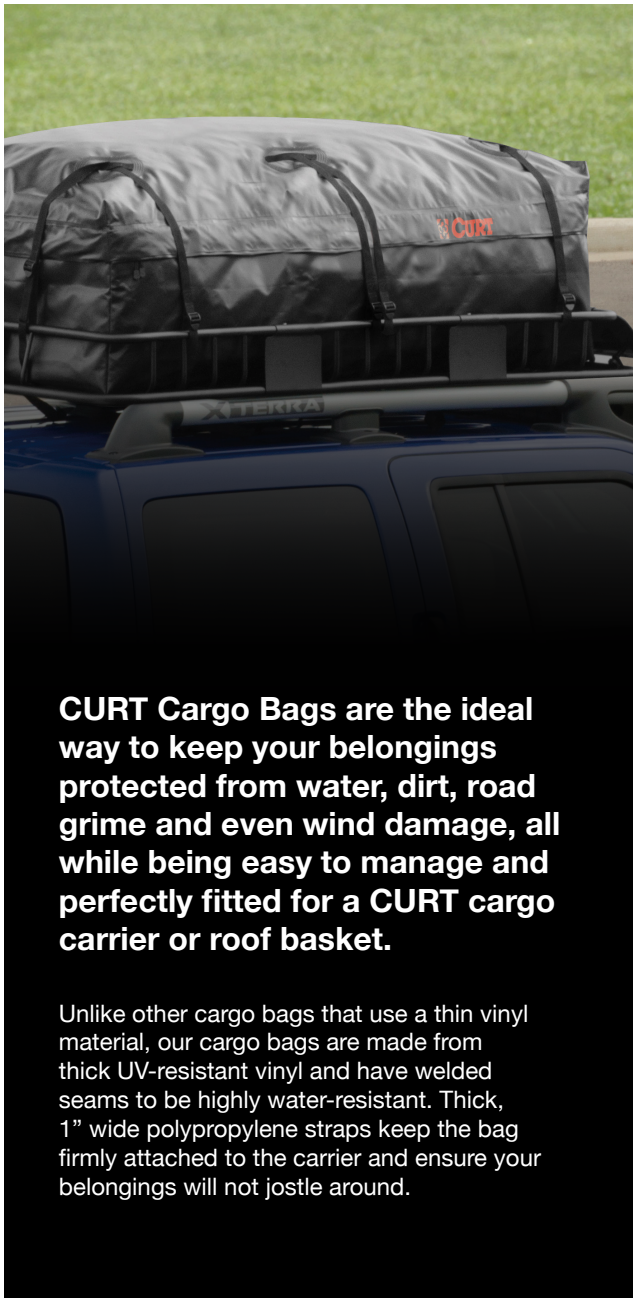
Echo® Mobile Brake Controller

SKU: 529191

The Echo® Mobile Trailer Brake Controller is a portable design with Zero-tool, plug-and-play install between vehicle-trailer connectors that can easily switch between vehicle-trailer combinations with durable, weather-resistant construction.

It features automatic calibration to help eliminate setup requirements. Motion-sensing accelerometer for highly responsive smooth stops and compatible with low-volt, PWM, ABS, cruise control and electric over hydraulic and built-in reverse-polarity and short-circuit protection.

- Power Pin 2



CURT Cargo Bags are the ideal way to keep your belongings protected from water, dirt, road grime and even wind damage, all while being easy to manage and perfectly fitted for a CURT cargo carrier or roof basket.

Unlike other cargo bags that use a thin vinyl material, our cargo bags are made from thick UV-resistant vinyl and have welded seams to be highly water-resistant. Thick, 1" wide polypropylene straps keep the bag firmly attached to the carrier and ensure your belongings will not jostle around.



**Weatherproof Vinyl Cargo Bag
(150cm x 86cm x 46cm)**

SKU: 18221



**Weatherproof Vinyl Cargo Bag
(142cm x 46cm x 53cm)**

SKU: 18210



**Weatherproof Vinyl Cargo Bag
(96cm x 86cm x 46cm)**

SKU: 18220



**Weatherproof Vinyl Cargo Bag
(142cm x 56cm x 53cm)**

SKU: 18211

Zipper is water-resistant, not waterproof. These bags should not be submerged in water.

CURT offer an innovative range of towing and towbar accessories and companion products to complete your tow setup.



Rebellion™ XD ShockDrop™ Ball Mount (Base Only)

SKU: 45969-85

CURT Rebellion XD ShockDrop Ball Mount 50mm Square Hitch (Class 4) is a leap forward in Towing technology. It provides more control, confidence, and a more comfortable ride, all while protecting your towing system from jerking, jarring, rattling, and trailer sway.



Rebellion™ XD Tongue Attachment (70mm Tow Ball)

SKU: 45940-85

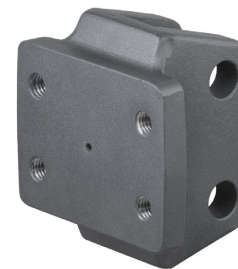
CURT Rebellion XD Tongue Attachment is designed to mount onto the vertical shank of the mount. Designed to work with the The Rebellion™ XD adjustable ball mount for more control, confidence and a more comfortable ride.



Rebellion™ XD Tongue Attachment (50mm Tow Ball)

SKU: 45970-85

CURT Rebellion XD Tongue Attachment is designed to mount onto the vertical shank of the mount. Designed to work with the The Rebellion™ XD adjustable ball mount for more control, confidence and a more comfortable ride.



Rebellion™ XD Pintle Mount Attachment

SKU: 45950

This accessory for the Rebellion™ XD ball mount features standard pintle hole spacing to accept any CURT plate-mount pintle hitch. This pintle mount attachment also features an integrated rubber dampener to compliment the Rebellion™ XD ball mount's resistance to jerking, jarring, vibrations and noise.



Replacement Rebellion™ XD Accessory Mount Pins

SKU: 45976-85

These replacement pins for the Rebellion™ XD ball mount are designed to replace the hitch pins of the vertical shank. They securely attach the trailer ball tongue or other accessories to the adjustable shank and are retained with the Rebellion™ XD spring clip.



SecureLatch™ Pintle Hook 13.5t (Flat Mount)

SKU: 48505

The CURT SecureLatch Pintle Hook is unique from other pintle hitches with its cupped design. Instead of letting the ring slop with every acceleration, brake, and bump, the cupped hook holds the ring tighter fore and aft. This results in smoother, quieter heavy-duty towing.

Drop. Auto-lock! Integrated into this SecureLatch pintle hook is an automatic locking mechanism that secures the primary latch without any manual coupling required.



Replacement Rebellion™ XD Accessory Mount Clips

SKU: 45975-85

These replacement clips for the Rebellion™ XD ball mount is designed to keep the hitch pins securely mounted in place on the vertical shank.

It features a unique, single-clip design, allowing one clip to secure both pins. Installing over both pins also provides a degree of vibration resistance.



Rebellion™ XD Tongue And Hitch Lock Set

SKU: 45932

This lockset for the Rebellion™ XD ball mount replaces standard clips and hitch pin for increased security. It includes a hitch lock and tongue lock.

The hitch lock is stainless steel and fits 50mm Square Hitch. The tongue lock is constructed from cast aluminum and fits over the vertical-shank pins of the Rebellion™ XD to lock the attachment in place.



The Curt RockerBall™ trailer ball dynamically reduces jerking and jarring while towing. As your trailer passes over bumps and potholes, it produces all kinds of vibrations, jolting, chucking, and noise.

With a traditional metal-on-metal connection, these annoyances are directly transferred to your tow vehicle, making your ride noisy, uncomfortable, and taking a toll on your towing system.



RockerBall™ - ShockDrop™ 50mm Trailer Ball

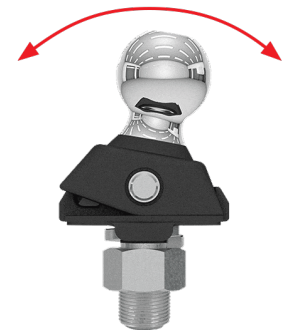
SKU: 40047-85

The CURT RockerBall™ trailer ball provides improved comfort and enhanced control while towing, featuring the unique ShockDrop™ technology. An integrated cushion isolator allows this hitch ball to turn a standard ball mount into a cushion hitch with anti-rattle capabilities.

The Curt RockerBall™ is also extremely low maintenance compared to other torsion hitch and cushion hitch options. It has no airbags or bearings to service. Simply apply grease to the integrated zerk fitting as needed for continuous lubrication and smooth operation.

Specifications

- Retrofits onto most existing ball mounts to improve current towing experience
- Anti-swivel base fits 75mm wide ball mount tongues with 7/8" diameter hole
- Standard trailer ball diameter fits 50mm trailer coupling
- Tested for safety to meet AS4177-2/SAE J684 specifications
- Finish: Chrome
- Capacity: 3500kg
- Material Type: Carbon Steel





15.8mm Hitch Pin with Groove (Zinc, Packaged) Pin & Clip Pack

SKU: 21583-85

- 15.8mm diameter pin fits 50mm Square Hitch (Class 4)
- Secures ball mounts and other receiver tube inserts
- Grooved pin allows clip attachment at any angle
- Protected by a durable zinc-plated finish
- Limited lifetime warranty (one-year finish, one-year parts)



15.8mm Super Duty Hitch Pin (Black Zinc)

SKU: 21579

CURT 15.8mm Super Duty Hitch Pin and clips are ready to work. They provide reliable installation for any ball mount or hitch-mounted accessory making them the perfect fit for class 3, 4, and 5 Trailer 50mm Square Hitches.

They are constructed with a 105-degree bend, creating a useful handle for a better grip and allowing the pin to stay securely engaged in the trailer hitch and ball mount.



15.8mm Super Duty Hitch Pin (Zinc)

SKU: 21581-85

CURT 15.8mm Super Duty Hitch Pin and clips are ready to work. They provide reliable installation for any ball mount or hitch-mounted accessory making them the perfect fit for class 3, 4, and 5 trailer 50mm Square Hitches.

They are constructed with a 105-degree bend, creating a useful handle for a better grip and allowing the pin to stay securely engaged in the trailer hitch and ball mount.



15.8mm Hitch Pin (Zinc with Rubber Grip)

SKU: 21511

CURT 15.8mm Super Duty Hitch Pin and clips are ready to work. They provide reliable installation for any ball mount or hitch-mounted accessory making them the perfect fit for class 3, 4, and 5 Trailer 50mm Square Hitches.

They are constructed with a 105-degree bend, creating a useful handle for a better grip and allowing the pin to stay securely engaged in the trailer hitch and ball mount.

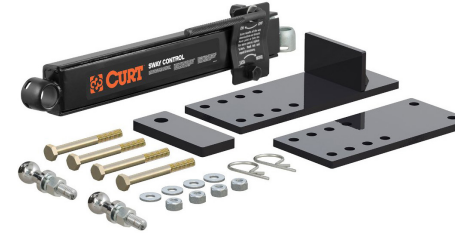


50mm Trailer Ball (3500kg)

SKU: 40100-85

CURT Trailer Balls are designed for strength, ease of use, and ultimately, to get you to your destination without hassle.

These tow balls are an excellent extension of your class 3 or class 4 trailer hitch and ball mount, and are the ideal choice for most pickup trucks and SUVs



Sway Control Kit

SKU: 17260-85

CURT Sway Control Kit is adjustable and easy to install. It comes with a sway unit, a trailer-mounted attachment ball, and bolts, a hitch-mounted attachment ball, a weld-on tab, a mount reinforcement plate, and attachment clips.

Though a weight-distribution hitch is not an ideal solution for trailer sway on its own, CURT weight distribution hitches are made to be combined with a sway control unit and many are available with sway controls included for a complete package.

CURT Anti-Rattle Hitch Pin & Shim

SKU: 45932



Stop a rattling ball mount, cargo carrier, bike rack or other hitch-mounted accessories in its tracks with an anti-rattle kit from CURT. When towing, there is nothing more annoying than a ball mount shank that rattles in its receiver tube as you drive down the road. This rattling sound comes from a small amount of space between the receiver tube and an ill-fitting shank. If this gap is bad enough, it can even lead to sway in the load.



15.8mm Hitch Lock (Barbell, Stainless Steel)

SKU: 23519-85

CURT 15.8mm Hitch Lock allows you to lock your ball mount into your trailer hitch, deterring theft and preventing anyone from detaching your trailer at the ball mount and towing away your property without your permission.

This CURT hitch lock 15.8mm diameter pin fits 50mm Square Hitch (Class 4), features a barbell design for easy access to the keyhole, also features simple quarter-turn lock activation.



15.8mm Hitch Lock (Right-Angle, Chrome)

SKU: 23504-85

CURT 15.8mm Hitch Lock allows you to lock your ball mount into your trailer hitch, deterring theft and preventing anyone from detaching your trailer at the ball mount and towing away your property without your permission.

This CURT hitch lock 15.8mm diameter pin fits 50mm Square Hitch (Class 4), features a right angle barbell design for easy access to the keyhole, also features simple quarter-turn lock activation, and comes with a watertight dust cap to keep out the elements and prevent corrosion.



15.8mm Hitch Lock (Barbell, Chrome)

SKU: 23528-85

CURT 15.8mm Hitch Lock allows you to lock your ball mount into your trailer hitch, deterring theft and preventing anyone from detaching your trailer at the ball mount and towing away your property without your permission.

This CURT hitch lock 15.8mm diameter pin fits 50mm Square Hitch (Class 4), features a barbell design for easy access to the keyhole, also features simple quarter-turn lock activation.