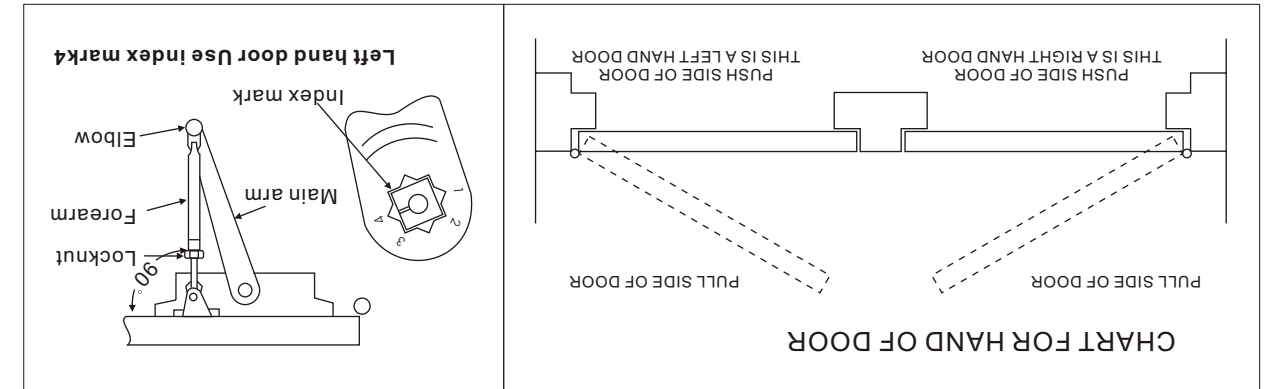
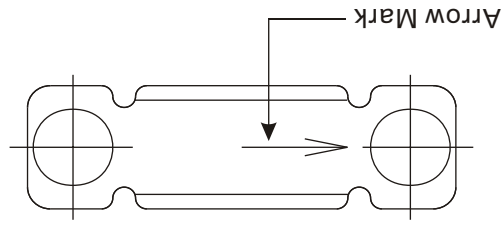
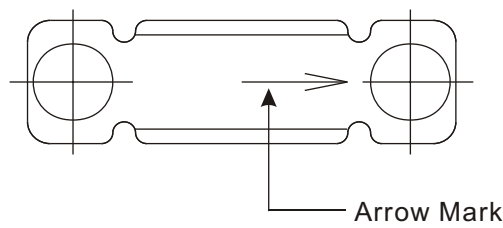


Top jamb of frame

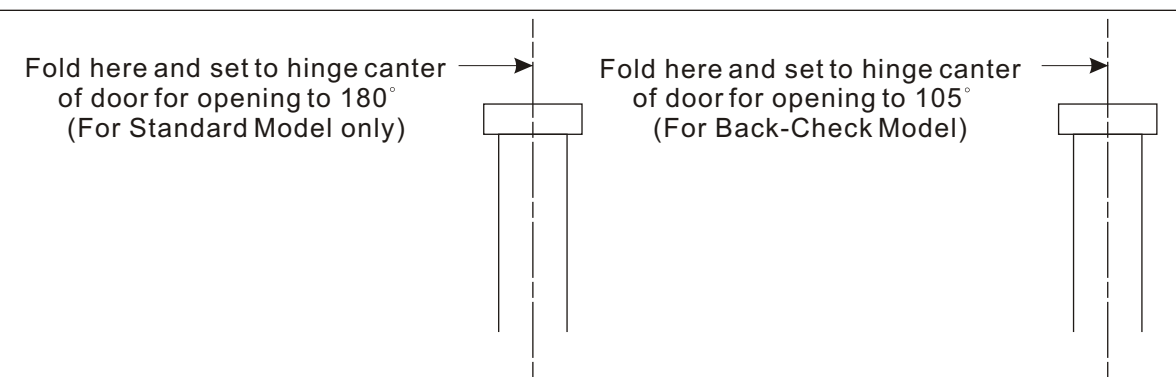
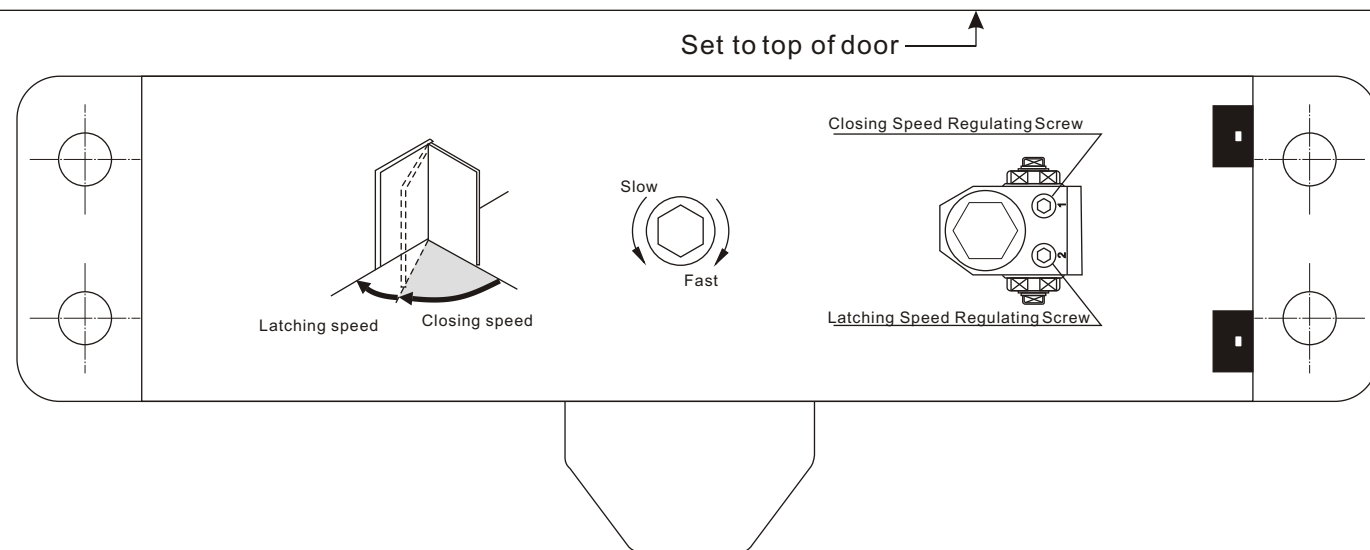
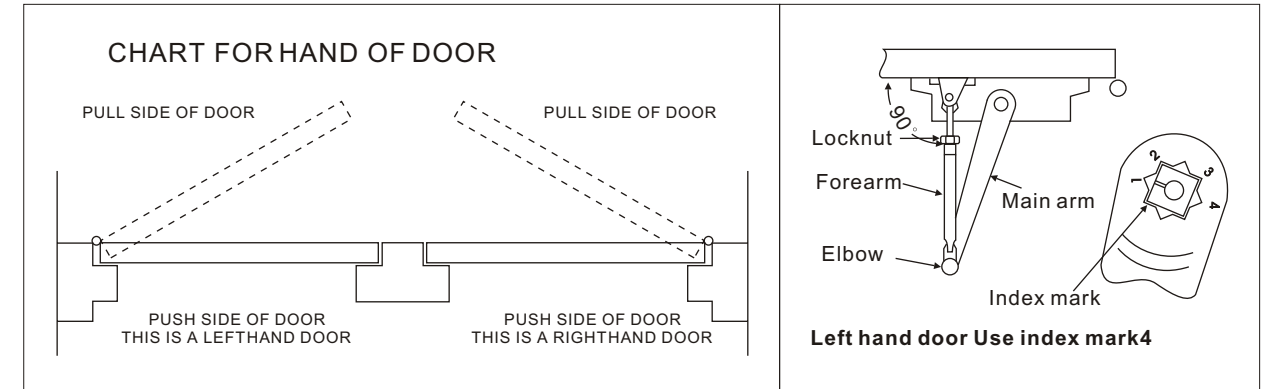


STANDARD / PRESET IN BACK CHECK DOOR CLOSER
Standard installation template for RIGHT hand doors mounted on door on pull side

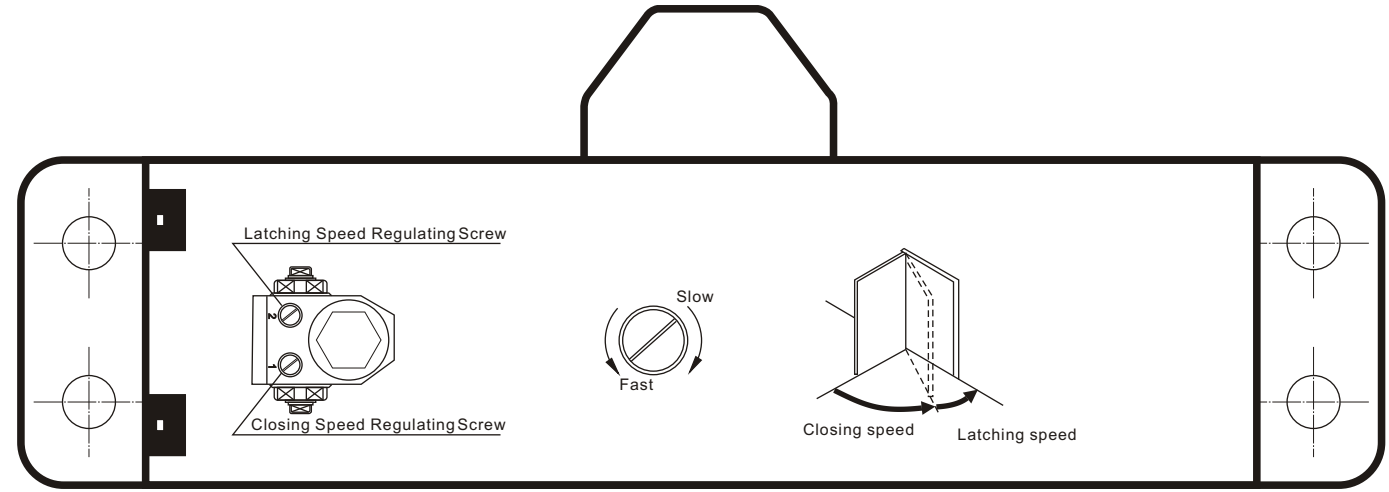
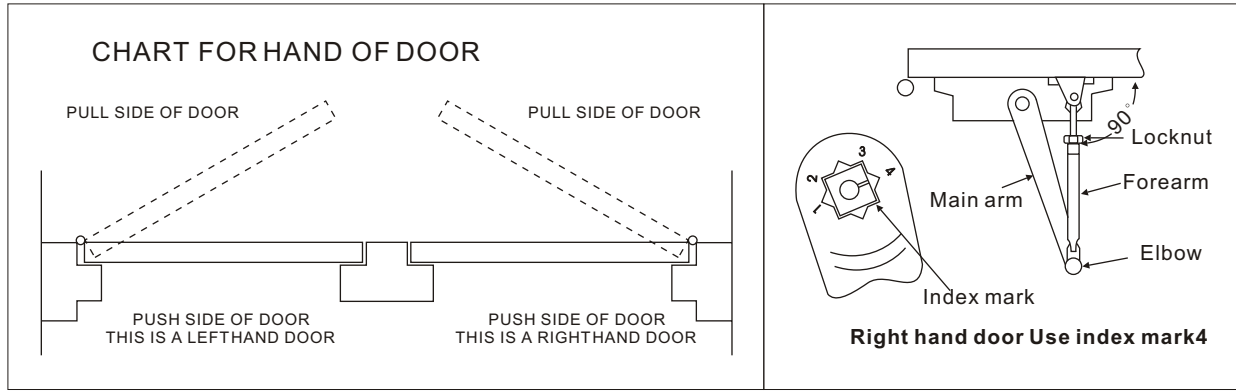
STANDARD / PRESET IN BACK CHECK DOOR CLOSER
Standard installation template for LEFT hand doors mounted on door on pull side



Top jamb of frame

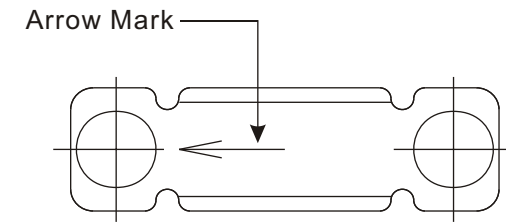
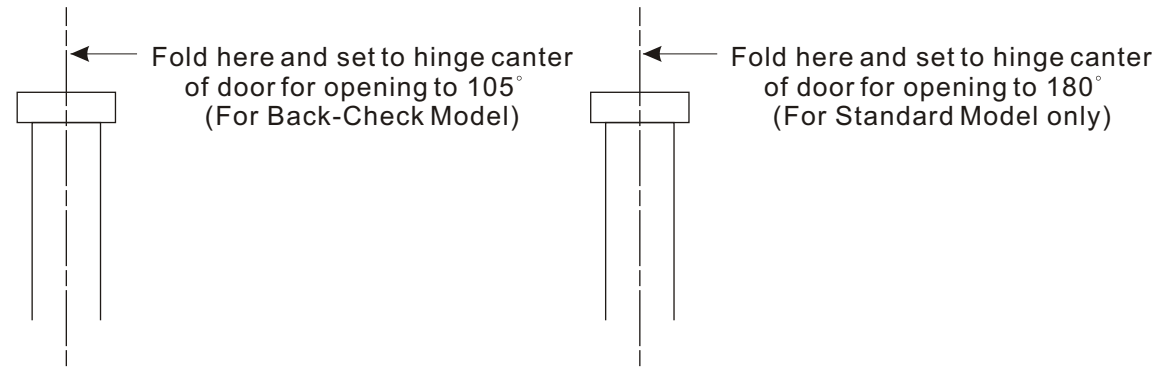


TOP JAMB / PRESET IN BACK CHECK DOOR CLOSER
Top Jamb installation template for RIGHT hand doors mounted on door on push side

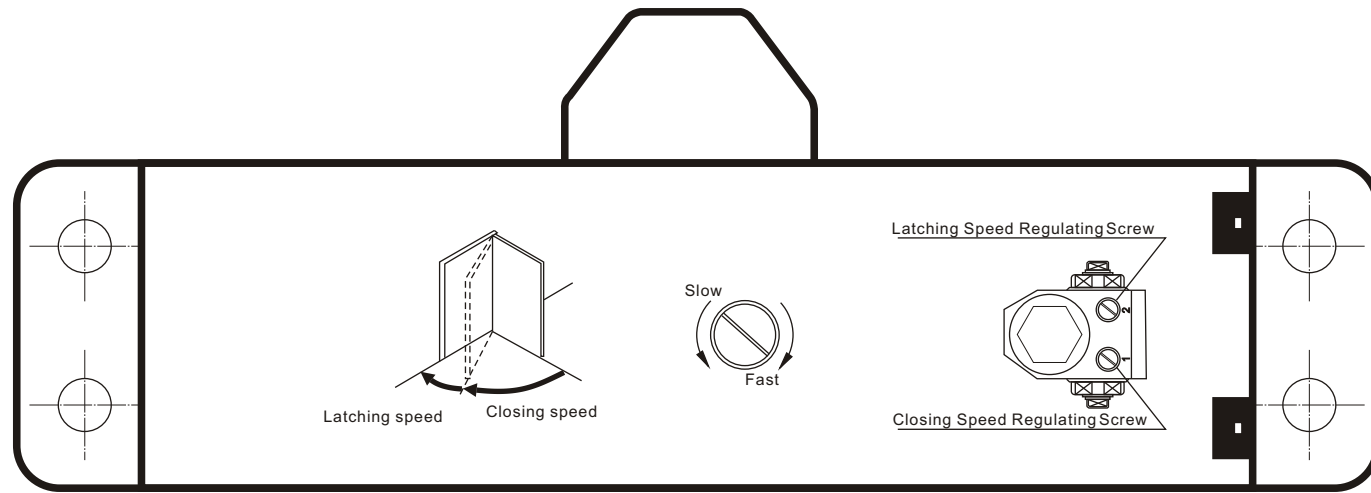


Set to top of door

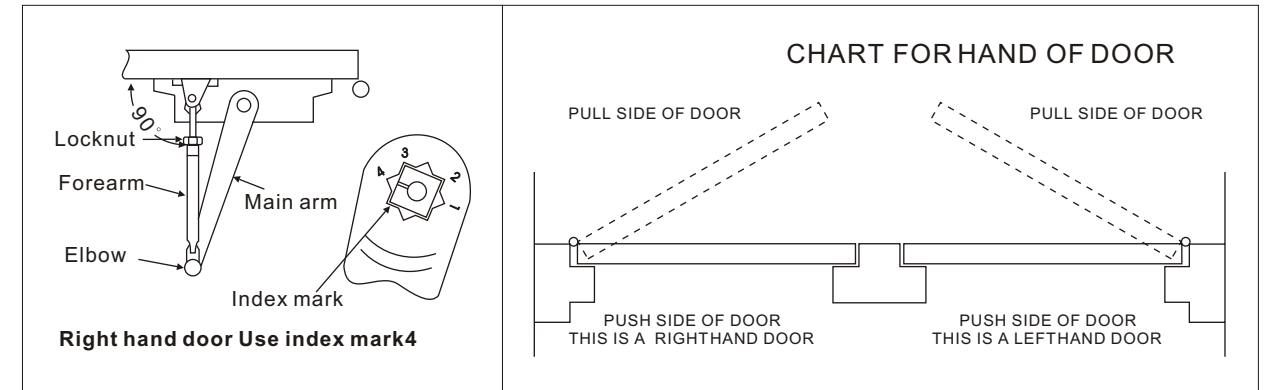
Top jamb of frame



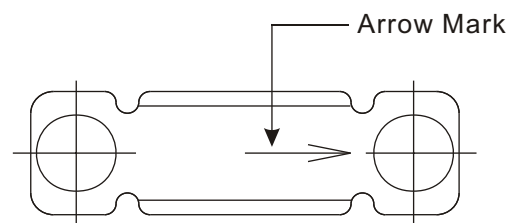
TOP JAMB / PRESET IN BACK CHECK DOOR CLOSER
Top Jamb installation template for RIGHT hand doors mounted on door on push side



Top jamb of frame

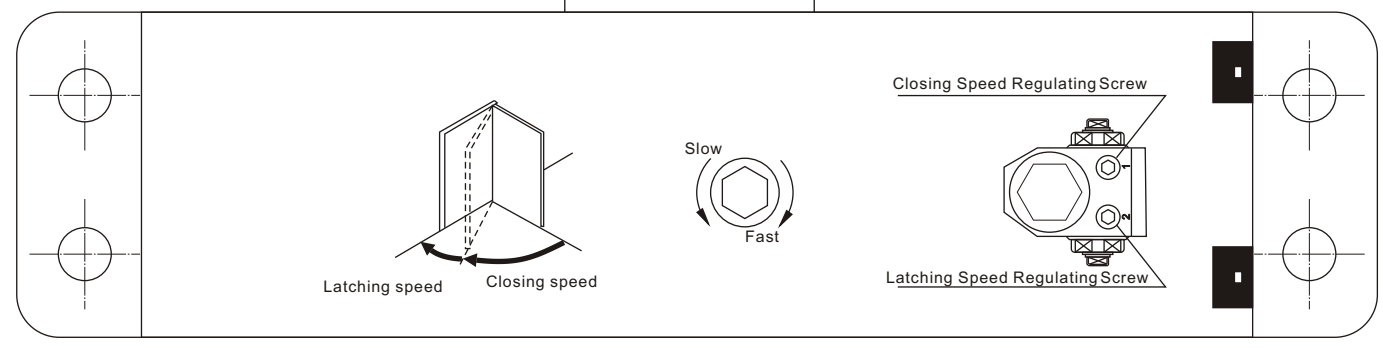


Set to top of door



Fold here and set to hinge center of door for opening to 180° (For Standard Model only)

Fold here and set to hinge center of door for opening to 105° (For Back-Check Model)

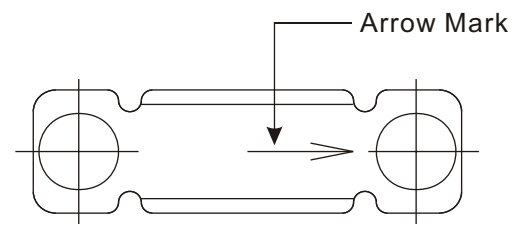


Set to top of door

TOP / PRESET IN BACK CHECK DOOR CLOSER
Top installation template for LEFT hand doors mounted on door on pull side

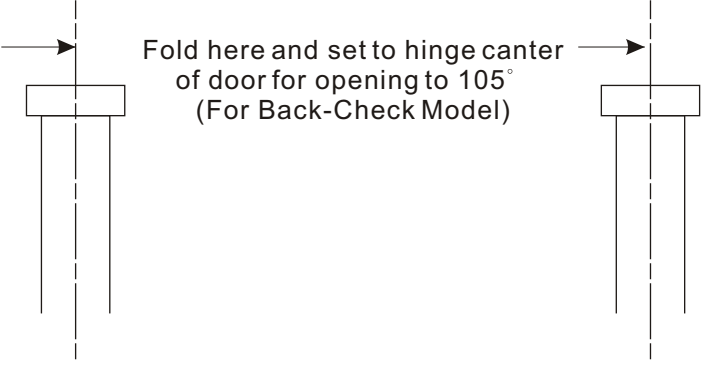
CHART FOR HAND OF DOOR		<p>Left hand door Use index mark4</p>
<p>PULL SIDE OF DOOR</p> <p>PUSH SIDE OF DOOR THIS IS A LEFTHAND DOOR</p>	<p>PULL SIDE OF DOOR</p> <p>PUSH SIDE OF DOOR THIS IS A RIGHAND DOOR</p>	

Top jamb of frame



Fold here and set to hinge center of door for opening to 180° (For Standard Model only)

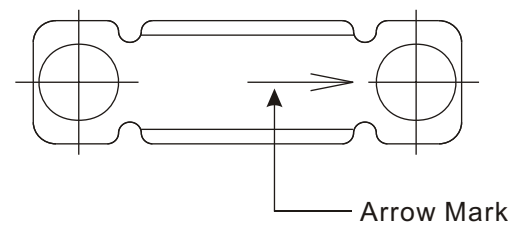
Fold here and set to hinge center of door for opening to 105° (For Back-Check Model)



STANDARD / PRESET IN BACK CHECK DOOR CLOSER
Standard installation template for LEFT hand doors mounted on door on pull side

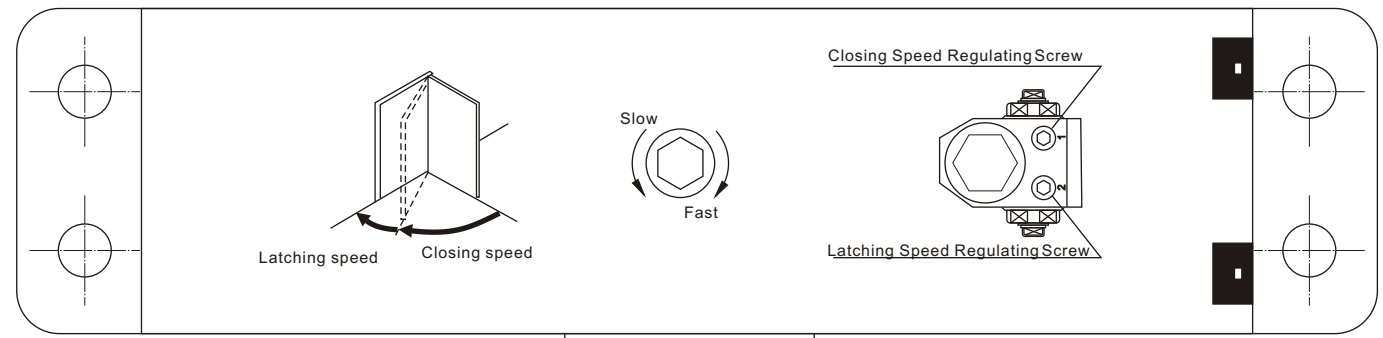
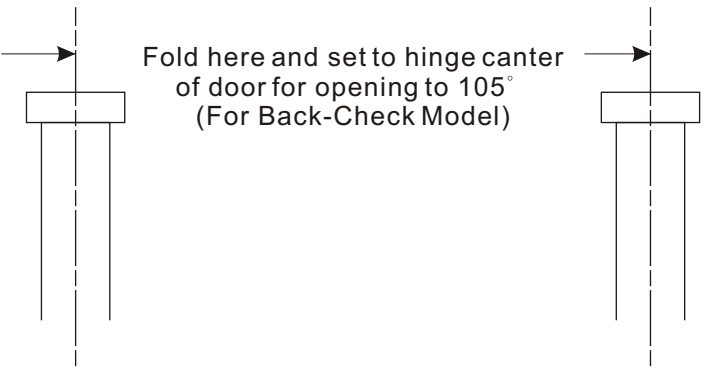
CHART FOR HAND OF DOOR		<p>Left hand door Use index mark4</p>
<p>PULL SIDE OF DOOR</p> <p>PUSH SIDE OF DOOR THIS IS A LEFTHAND DOOR</p>	<p>PULL SIDE OF DOOR</p> <p>PUSH SIDE OF DOOR THIS IS A RIGHAND DOOR</p>	

Top jamb of frame



Fold here and set to hinge center of door for opening to 180° (For Standard Model only)

Fold here and set to hinge center of door for opening to 105° (For Back-Check Model)



Set to top of door