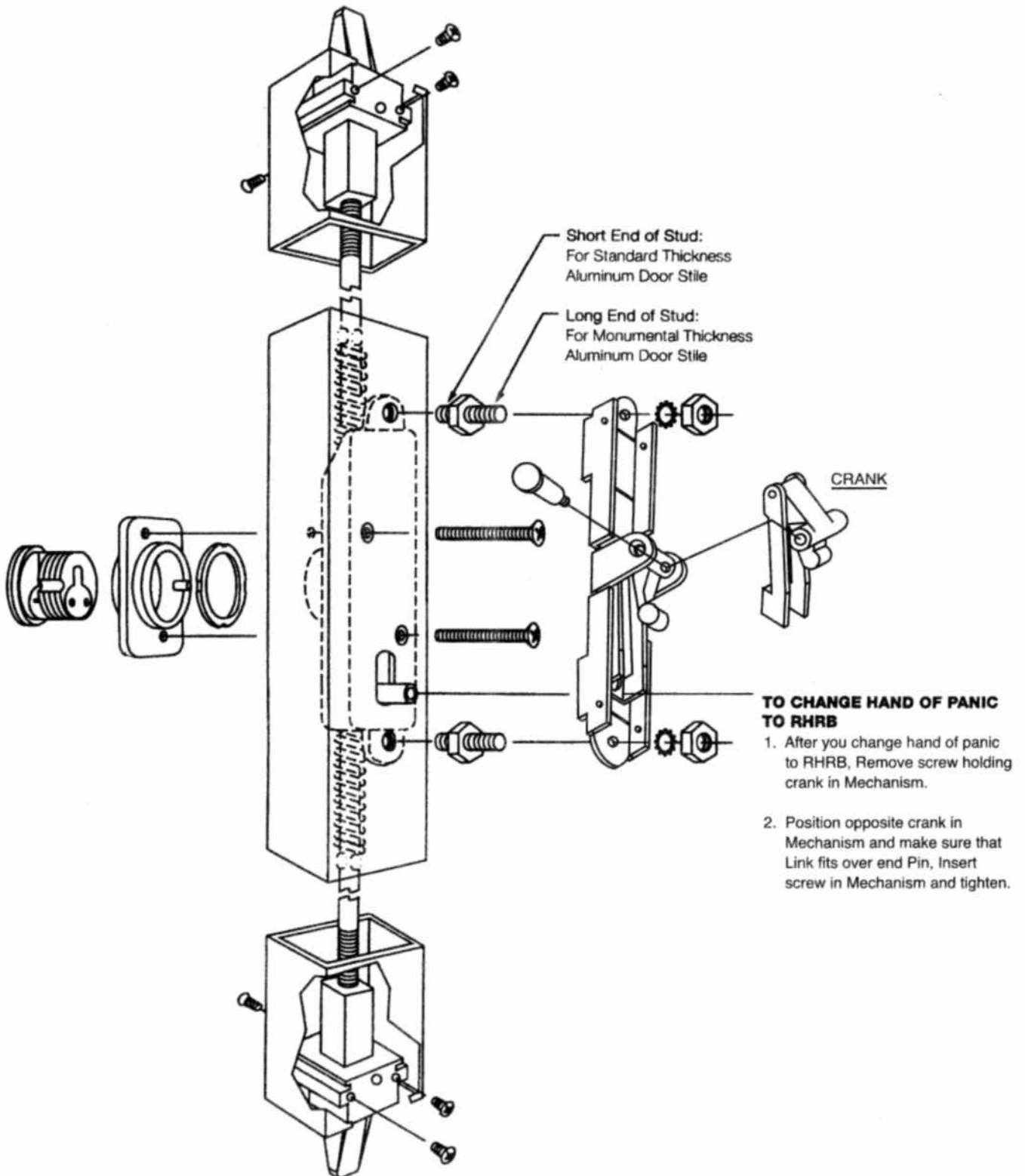




Modern • Flat Touch Bar • Concealed Vertical Rod • Panic Exit Device

ALUMINUM STOREFRONT DOORS LHRB DOOR SHOWN ( RHRB OPPOSITE )



FOR ALUMINUM DOORS

### Concealed Panic Exit Devices

HINGE STILE  
INSIDE FACE

FOLD DOWN ALONG THIS LINE AND PLACE AGAINST DOOR JAMB - RHRB DOOR

39-17/32"  
BOTTOM OF  
STILE TO  
THIS LINE



DRILL AND TAP 12-24 (2)



FOLD DOWN ALONG THIS LINE AND PLACE AGAINST DOOR JAMB - LHRB DOOR

39-17/32"  
BOTTOM OF  
STILE TO  
THIS LINE

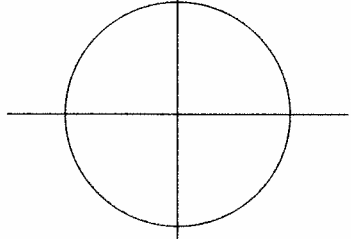


39-17/32"  
BOTTOM OF  
STILE TO  
THIS LINE



FOLD DOWN ALONG THIS LINE AND PLACE AGAINST DOOR JAMB - RHRB DOOR

NOTE: FOR KEY CYLINDER ONLY  
DRILL 1-3/16" CYLINDER HOLE



FOLD DOWN ALONG THIS LINE AND PLACE AGAINST DOOR JAMB - LHRB DOOR

39-17/32"  
BOTTOM OF  
STILE TO  
THIS LINE



LOCK STILE  
OUTSIDE FACE

FOR ALUMINUM DOORS

### Concealed Panic Exit Devices

# Concealed Panic Exit Devices

## LOCK STILE INSIDE FACE

