

INSTALLATION INSTRUCTIONS

EAK500 ALARM DEVICE

- This alarm unit is designed to be used with ED501 touch bar exit device, VR531 vertical bar exit devices, or ETB500 electronic touch bar. It could be used in either alarmed or non-alarmed mode. In alarmed mode siren will sound when bar is pushed. In non-alarmed mode exit device will operate without sounding alarm.
- This device allows instant egress (without magnet or strike) while at the same time allowing the user to monitor unauthorized use of doors equipped with this device.
- This device requires a 1¹/₈" mortise cylinder with C cam (optional). Also this device could be used with either magnet or strike (optional). And it is equipped with a 0-30 sec. delayed egress feature (applicable only when used with Magnet or Strike).
- **NOTE:** Refer to Exit Device instructions on how to mount Exit Device.

STANDARD INSTALLATION WITHOUT MAGNET OR STRIKE FOLLOW STEP1 THROUGH 6

1

Preparing Exit Device

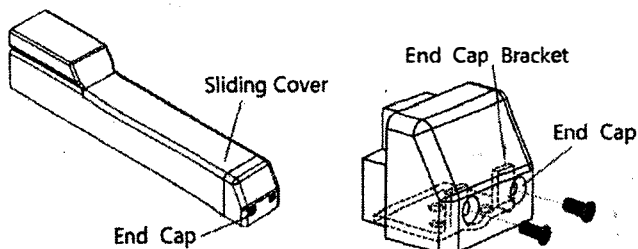
A- Installing both Alarm Unit and Exit Device:

Complete Exit Device installation according to Exit Device instructions, but do not install Sliding Cover, Rear End Cap Bracket or Rear End Cap.

B- Installing Alarm Unit with existing Exit Device:

- 1- Remove Rear End Cap, then remove End Cap Mounting Bracket.
- 2- Remove Sliding Cover.

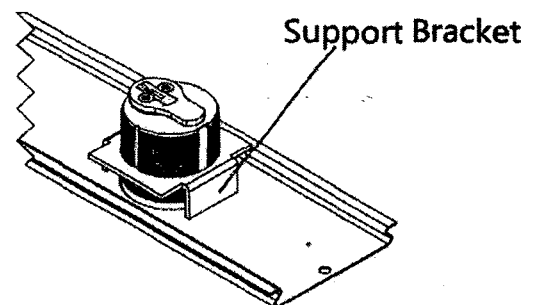
C- Remove Alarm Unit from box then remove cardboard packing from Mortise Cylinder Hole and discard.



2

Installing Mortise Cylinder

Insert Mortise Cylinder only half way through Cylinder Opening and then slide Support Bracket onto Cylinder as shown.

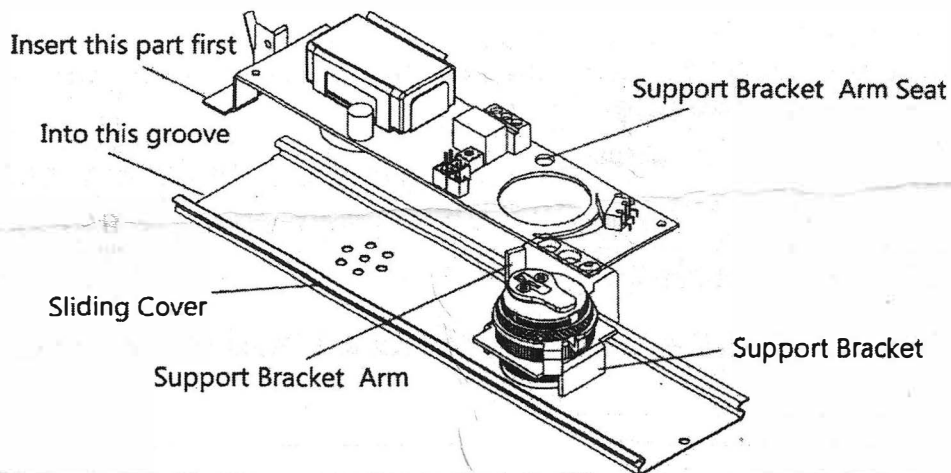


3

Attaching Alarm Unit to Sliding Cover

Now slide Alarm Unit into Sliding Cover by first inserting end of unit into groove of Sliding Cover as indicated below then by drop-ping over Mortise Cylinder. Now is the time to push the Mortise Cylinder all the way through Sliding Cover and Alarm Unit until face of Mortise Cylinder is touching Sliding Cover. Hold assembly together in place by pushing both Mortise Cylinder and Alarm Unit against Sliding Cover.

Note: Make sure that Support Bracket Arm is properly inserted in Alarm Unit Support Bracket Arm Seat. If Arm is not fully insert-in in seat you will not be able to assemble Alarm Unit.

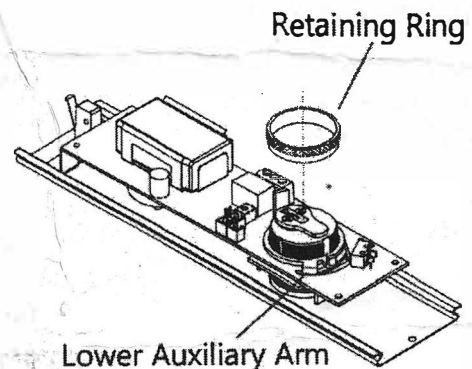
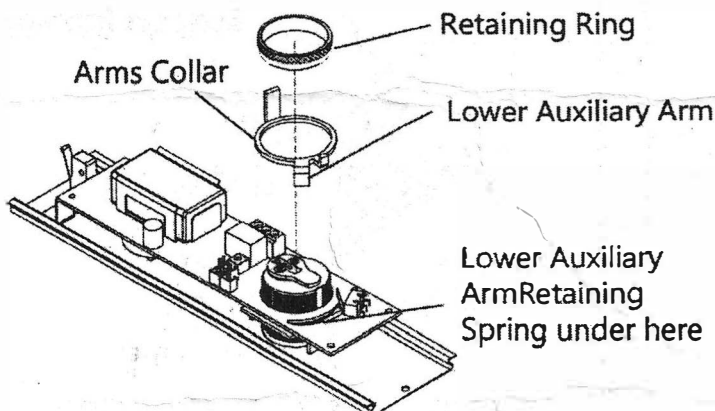


4

Installing Arms Collar and Retaining Ring

A- While holding assembly together, slide the Arms Collar onto mortise cylinder making sure that Lower Auxiliary Arm of Collar is installed in proper position between Auxiliary Arm Retaining Spring and Mortise Cylinder as indicated in drawing B. If Auxiliary Arm is not installed properly alarm will not function.

B- While holding Arms Collar in place insert Retaining Ring and start tightening. Retaining ring should be seated between Mortise Cylinder and Arms Collar (not on top of Arms Collar). Do not over-tighten retaining ring. If will cause the Collar to jamb.

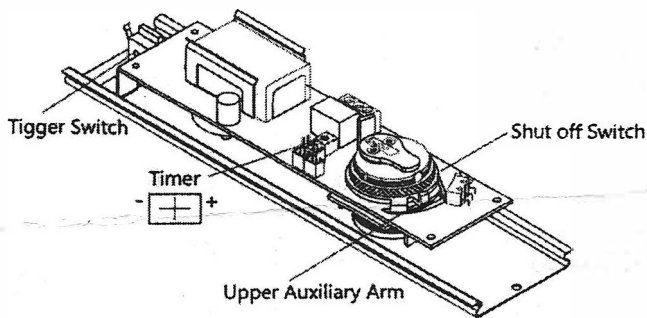


5 INSTALLING BATTERY AND TESTING ALARM UNIT

Install 9V battery, check and test that Alarm Unit is functioning properly before installing back into exit device.

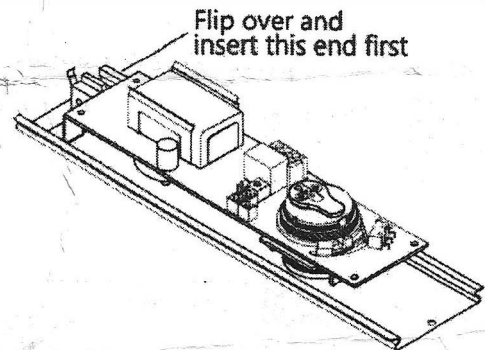
Press Trigger Switch Arm to activate alarm, if alarm sounds unit is working properly. You can shut alarm off by turning Mortise Cylinder Key so that Upper Auxiliary Arm depresses Shutoff Switch as shown in diagram below.

Diagram shown with Alarm Unit in alarmed mode.

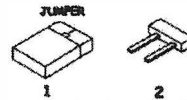


6 INSTALLING ALARM UNIT

- A- If test results are normal proceed to slide back Alarm Unit into Exit Device. Alarm Unit should be inserted with battery side first and not cylinder side, see illustration below
- B- Install Rear End Cap Bracket then install Rear End Cap. Installation is now completed.



JUMPER SETTING



- 1. Siren will sound for 2 minutes, silent for 5 seconds and repeat to sound for 5 seconds, and silent for 5 seconds.
- 2. Siren will sound for 2 minutes, and stop.

INSTALLATION WITH MAGNET OR STRIKE

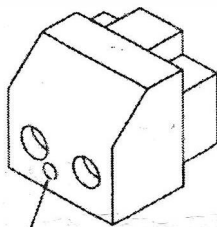
REPEAT STEPS 1 THROUGH 5

NOTE: A SWITCHING DEVICE MUST BE INSTALLED IF MAGNET OR STRIKE IS TO BE USED

1 PREPARING END CAP

Prepare Rear End Cap of exit device by drilling a hole into the back of the End Cap as shown.

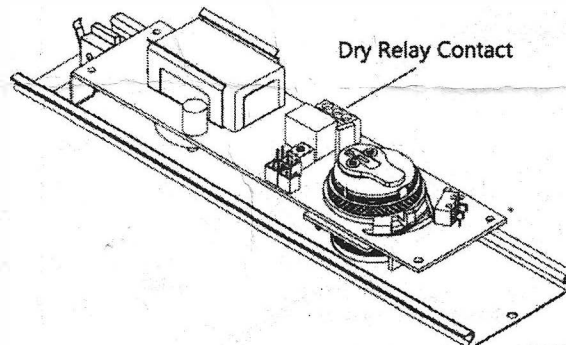
This hole is used to run your magnet or strike wires through to the Alarm Unity Dry Relay Contact.



Drill Wire Hole here

2 CONNECTING MAGNET OR STRIKE WIRES

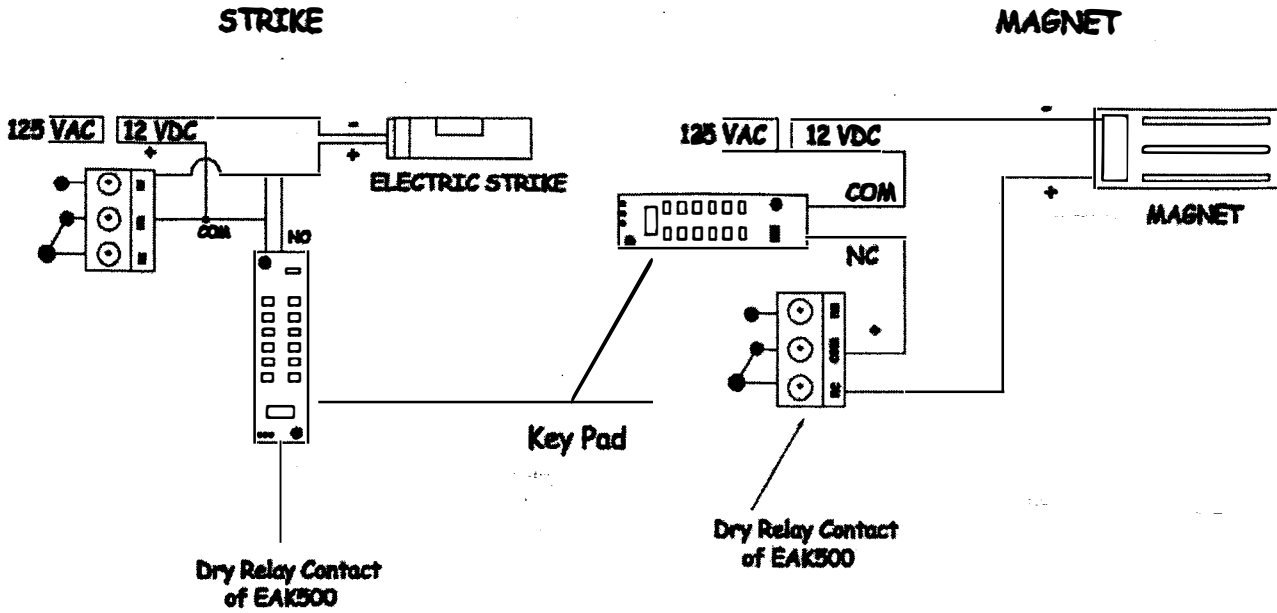
A- Start by pulling wires through hole you drilled in End Cap.



B- Use Dry Relay Contact shown in diagram to connect Alarm Unit to a magnet or strike as desired. For a more audible or visual alarm, a DC horn or light could be used in place of magnet or strike. See step 3 for different wiring diagrams.

3

WIRING DIAGRAMS



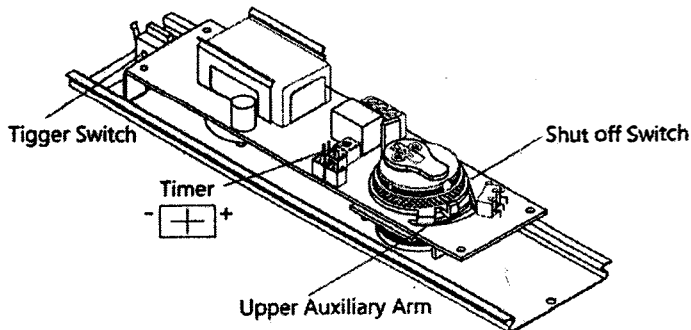
4

ADJUSTING TIMER

APPLICABLE ONLY WITH MAGNET OR STRIKE INSTALLATION. CHECK WITH YOUR LOCAL AUTHORITIES FOR SUCH APPLICATION

Holding Alarm Unit with cylinder side on top, Turn timer counter-clockwise to set to zero, immediate egress. Turn timer clockwise to adjust from zero to thirty seconds for delay egress.

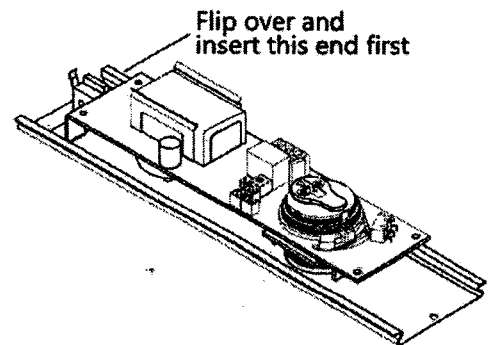
In both settings, immediate or delay egress, alarm will sound when someone depresses Exit Device. Egress will be delayed according to timer setting.



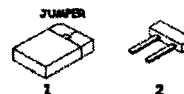
5

INSTALLING UNIT

- A- If test results are normal proceed to slide back Alarm Unit into Exit Device. Alarm Unit should be inserted with battery side first and not cylinder side, see illustration below
- B- Install Rear End Cap Bracket then install Rear End Cap. Installation is now completed.



JUMPER SETTING



1. Siren will sound for 2 minutes, silent for 5 seconds and repeat to sound for 5 seconds, and silent for 5 seconds.
2. Siren will sound for 2 minutes. and stop.

EXPLODED VIEW

