

ZEPF Crown-Spreading Pliers

The **HELMUT ZEPF** Crown-Spreading Pliers are perfectly designed for the spreading of crowns without pressure on the root and neighbour tooth.

The spreading function of these pliers guarantee a safe and anatomical correct application. The power is not anymore transferred to adjacent teeth, roots or the jaw as with conventional crown spreading pliers.

19.277.01Z

Crown-Spreading Pliers by Bauer, modified DBGM, 14.5 cm



Universal Forceps

These **HELMUT ZEPF** All-purpose Pliers should be on hand at any treatment unit. They may be used for securely grasping temporary plastic crowns, bridges, nerve instruments, stuck matrices, fixing inlays, setting interdental wedges, etc., and may be used on both upper and lower jaws.

Their tungsten carbide steel jaws provide a secure grip.



19.281.15TC

Universal All-Purpose Forceps,
TC, 14.5 cm

ZEPF Tele-Grip

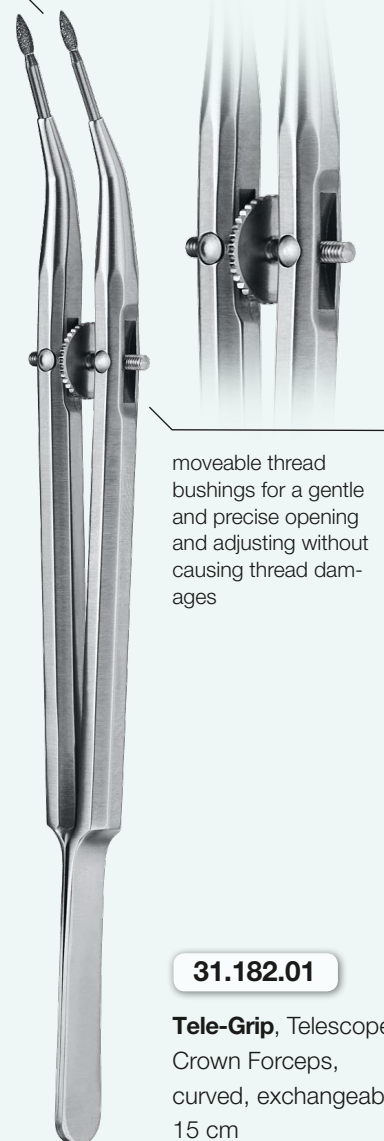
Easy and thus precise adjustment!

There is always a demand for a precise and above all a sensitive adjustment of a Tele-Grip, to avoid a high tension (damage caused by deformation) in critical situations.

The previous function was only partly given, especially in bigger spreading ranges it was only possible under restrictive conditions. Thus, the durability was affected due to the resulting thread damages.

The **HELMUT ZEPF** Tele-Grip has a movable threaded bearing. As a result, the adjusting screw can be aligned easily and in a most sensitive way throughout the setting range.

gently opening in every position



moveable thread bushings for a gentle and precise opening and adjusting without causing thread damages

31.182.01

Tele-Grip, Telescope
Crown Forceps,
curved, exchangeable,
15 cm



Inlay Forceps

19.274.60

Self-retaining Inlay Forceps, exchangeable jaws, 15 cm, incl. 10 pairs plastic jaws



19.274.50

Inlay Forceps, exchangeable jaws, 15 cm, incl. 10 pairs plastic jaws



Crown-Tractor Crown-Extraction Pliers with interchangeable plastic tips



Adjust the screw on the plier so that it fits nicely over the crown to be removed

19.274.00

CROWN-TRACTOR Set "Exclusive" Extraction Pliers with thumbscrew detent and retaining spring, 16 cm
20 Plastic Polymer Tips, 10 g DIATRAC adhesive powder



After adjusting the plier, tips should be moistened with diamond powder

19.274.01

CROWN-TRACTOR Set "Economic" Extraction Pliers without thumbscrew detent and retaining spring, 16 cm
20 Plastic Polymer Tips, 10 g DIATRAC adhesive powder



The crown can now be removed in a safe way



19.274.13

Replacement Kit: 10 g DIATRAC adhesive powder and 40 Plastic Polymer Tips





Crown Butler



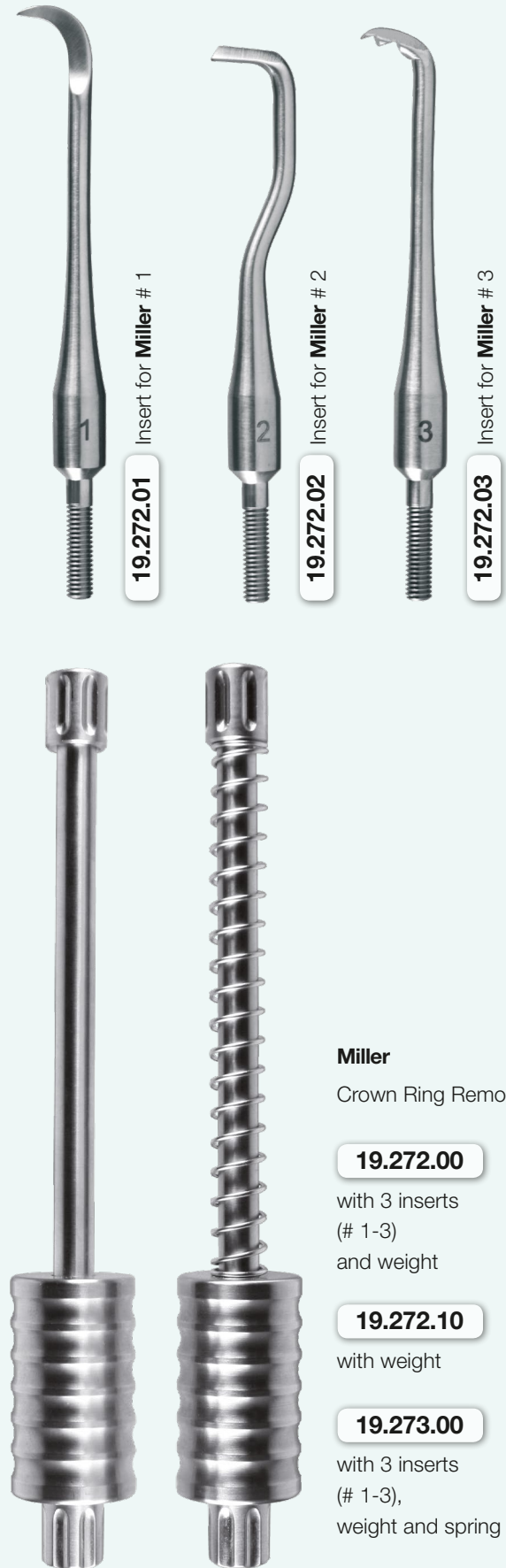
19.275.00
Crown-Butler, automatic crown remover, incl. 2 inserts 19.275.01 and 19.275.02

19.275.01 Insert # 1

19.275.02 Insert # 2

19.275.04 Insert for Crown-Butler, Crown-Removing-Plier

Miller Crown Ring Remover



Miller
Crown Ring Remover

19.272.00
with 3 inserts (# 1-3) and weight

19.272.10
with weight

19.273.00
with 3 inserts (# 1-3), weight and spring

19.272.01 Insert for Miller # 1

19.272.02 Insert for Miller # 2

19.272.03 Insert for Miller # 3

For Temporary Bridges and Crowns



31.184.13

Crown Holding Pliers,
with ring, curved, 13 cm



19.281.16

Removing Pliers for temporary
bridges and crowns, TC inserts,
16 cm



2:1

19.279.00

All-Purpose Crown Lever for
occlusal, buccal, palatal or labial
use in the maxilla, 14 cm



31.185.02

Telescope Crown Pliers,
with 2 exchangeable
diamond tips 1.65 mm





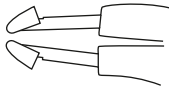
Telecrown-Grip

These Telescoping-Jaw Pliers offer three variation possibilities in one.

Their adjustable and rigid tips have a first-class, anatomically correct friction coefficient.

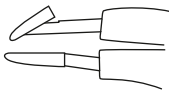
The design of the contacting surfaces of their diamond-tipped jaws significantly extends jaw service life.

The choice of configurations allows adapting them to suit patients' anatomies.



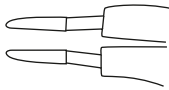
31.185.00

Telecrown-Grip,
bilaterally adjustable, 2.35 mm,
diamond-tipped jaws with
exchangeable, movable tips,
incl. Allan Key, 13 cm



31.185.01

Telecrown-Grip,
unilaterally adjustable, 2.35 mm,
diamond-tipped jaws with
exchangeable tips, 1 movable tip,
incl. Allan Key, 13 cm



31.185.04

Telecrown-Grip,
rigid, 2.35 mm, diamond-tipped
jaws with exchangeable tips,
incl. Allan Key, 13 cm



DBGM

Spare Parts

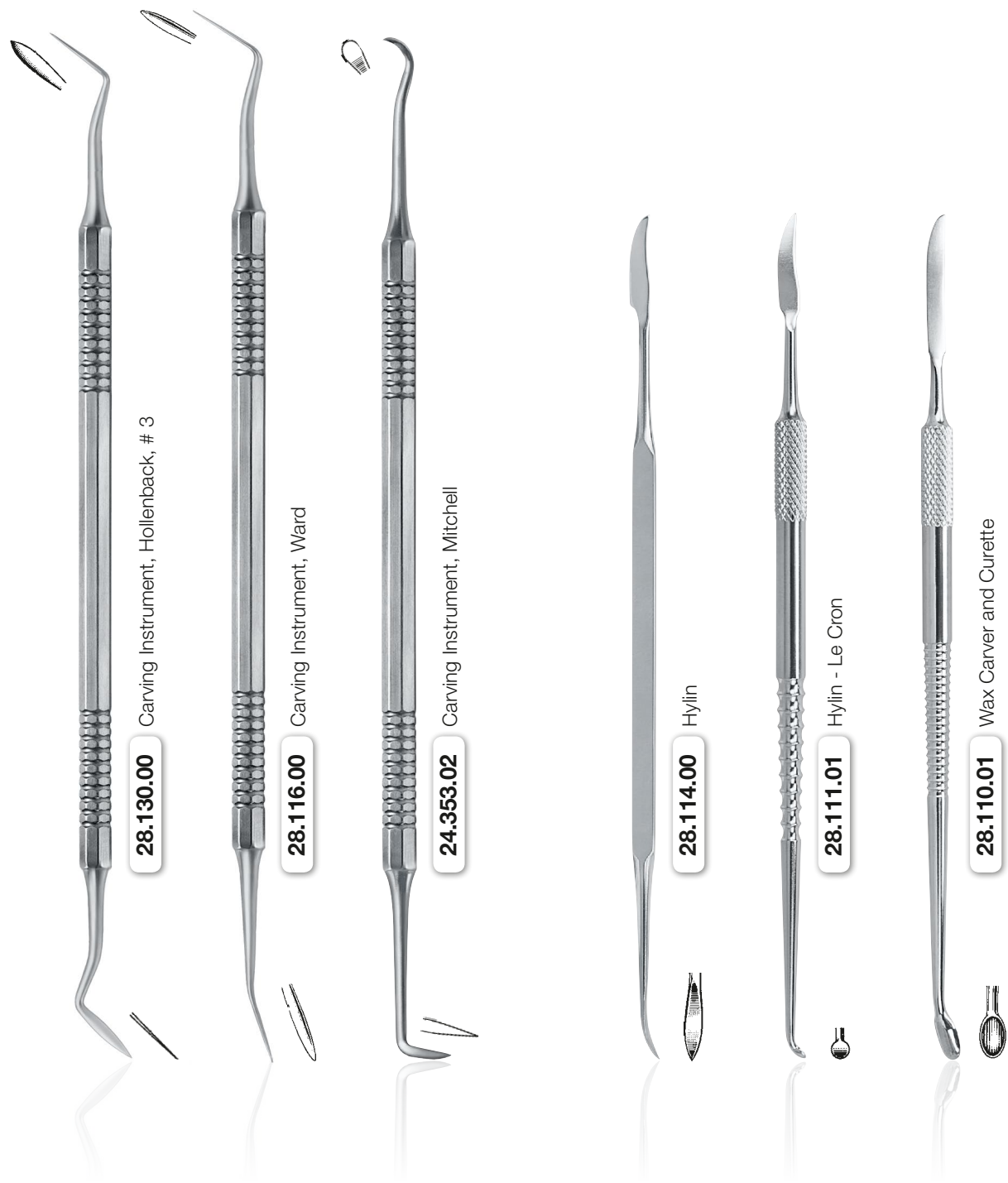
31.185.10 1 pair of diamond-tipped jaws, adjustable, 2.35 mm

31.185.12 1 pair of diamond-tipped jaws, rigid, 2.35 mm

31.184.01 Allan Key, SW 1.5

Modeling Instruments – Precision in Perfection

Quality MADE IN GERMANY for the quality-conscious technician.



28.161.13 Wax Carver, Fahrenstock, stainless steel, 12 cm



28.161.17 Wax Carver, Fahrenstock, stainless steel, 17 cm





zep-dental.com



MADE  **IN GERMANY**

The instruments illustrated in this catalogue are subject to modifications regarding technical progress and improvements.

Scale

