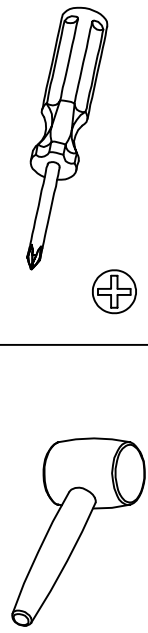
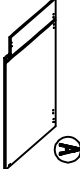
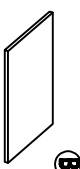
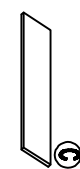
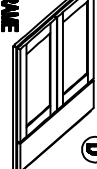
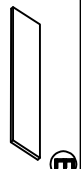
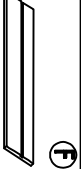






# ASSEMBLY INSTRUCTIONS

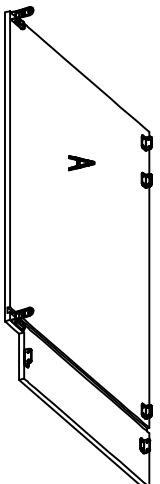
This instruction applies to the following frames  
V242L-V392L

**DO NOT OVER TORQUE SCREWS WHEN ASSEMBLING**  
**TOOL REQUIREMENTS**




 SIDE PANEL A	 BOTTOM PANEL B	 BACK BRACES W=4 C
 FRAME D	 SKIRTBOARD W=4/2 E	 BACK BRACES W=5 F
 PANEL W=5/4 G		
 Ø4*30	 Ø3*12	 Ø3*12

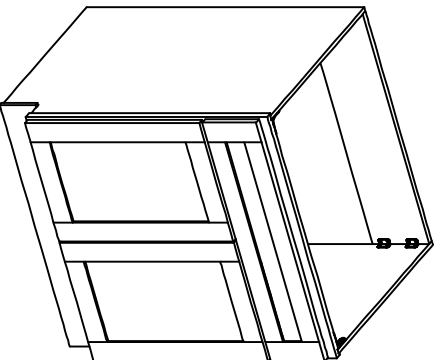
1



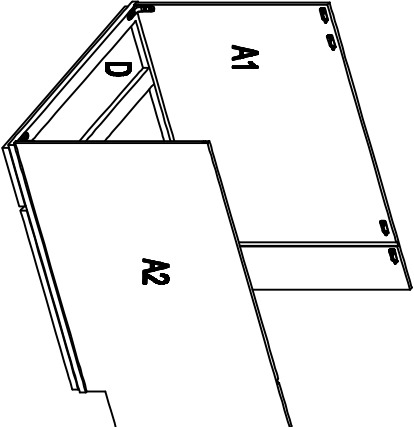
SCREW  
Ø3\*12



4

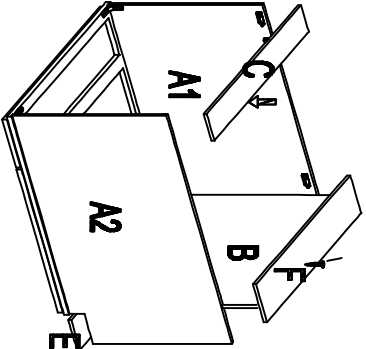


2



5

3



6

(Tools are not included in the packaging)