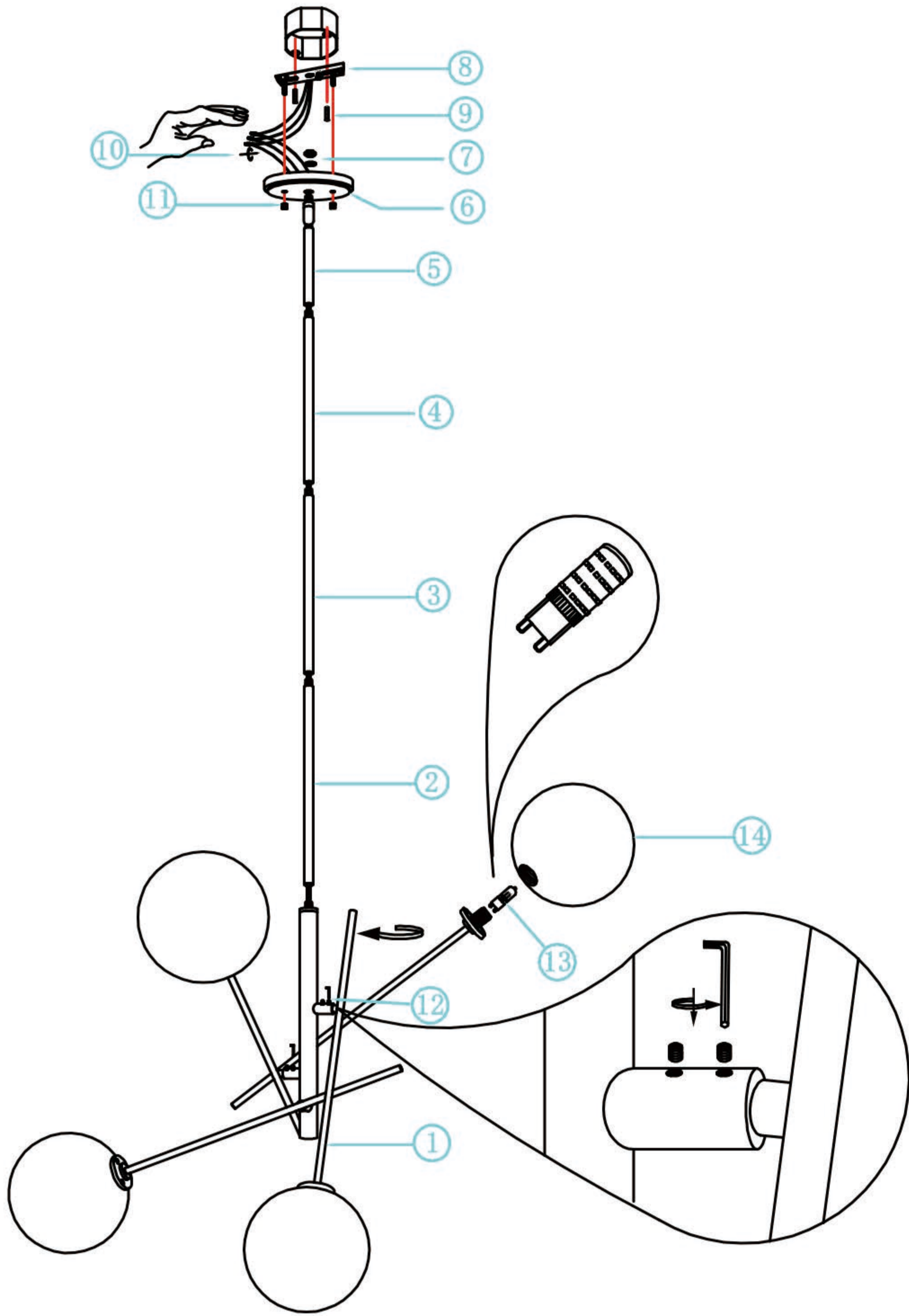


ITEM NO.: 20114BD

FIXTURE ASSEMBLY STEPS:

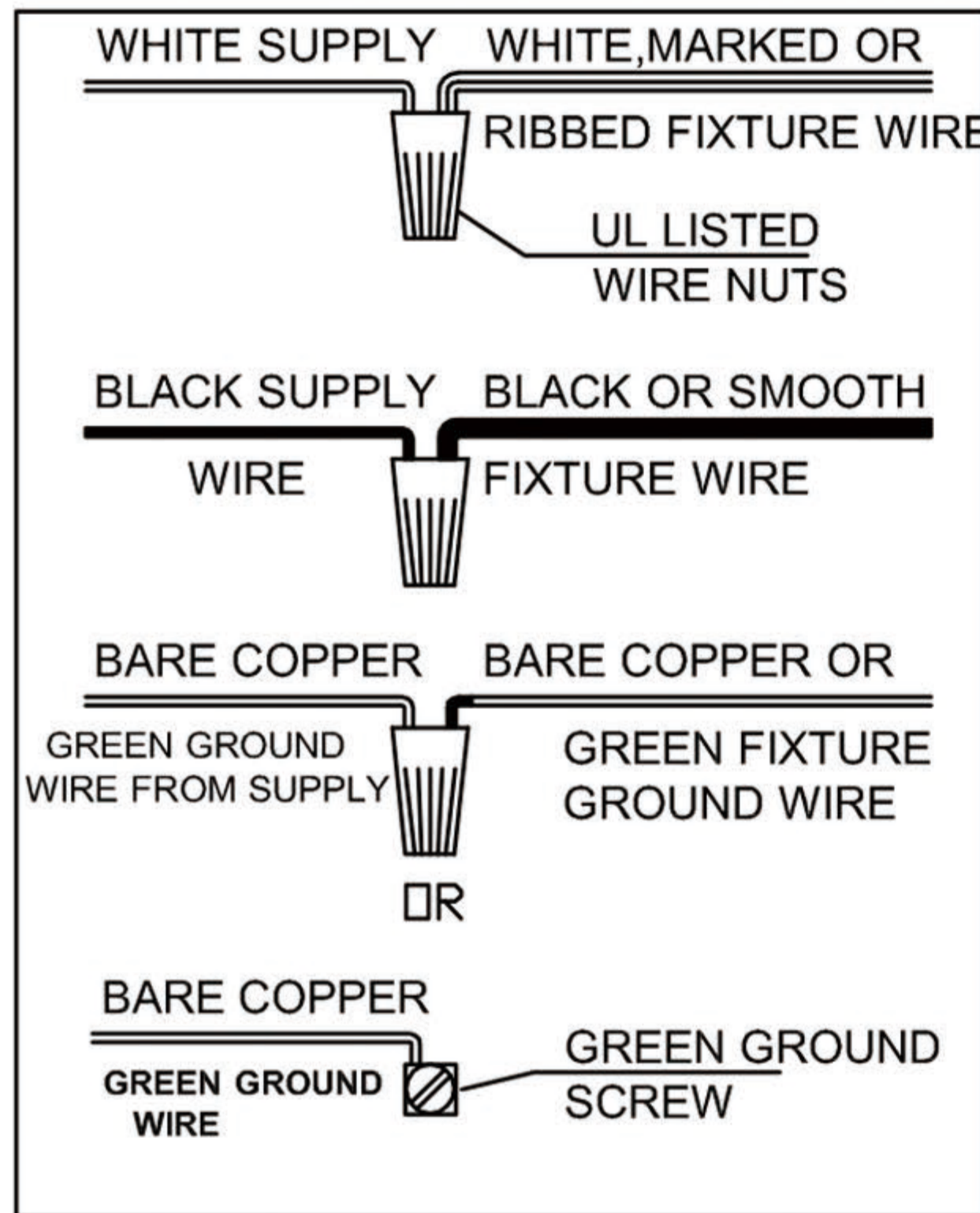


DESCRIPTION	PICTURE	CODE	QTY
Mounting Plate		8 / 11	1 SET
Mounting Box Screw		9	2 PCS
P3 Wiring Cap		10	3 PCS
Canopy		6	1 PCS
Down Rod 3.35"+Hooke's joint +Reinforce gasket + Nut		5	1 SET
Down Rod 12"		2 / 3 / 4	3 PCS
Glass		14	4 PCS
A few meters wrench		12	1 PCS
Lamp Body		1	1 SET

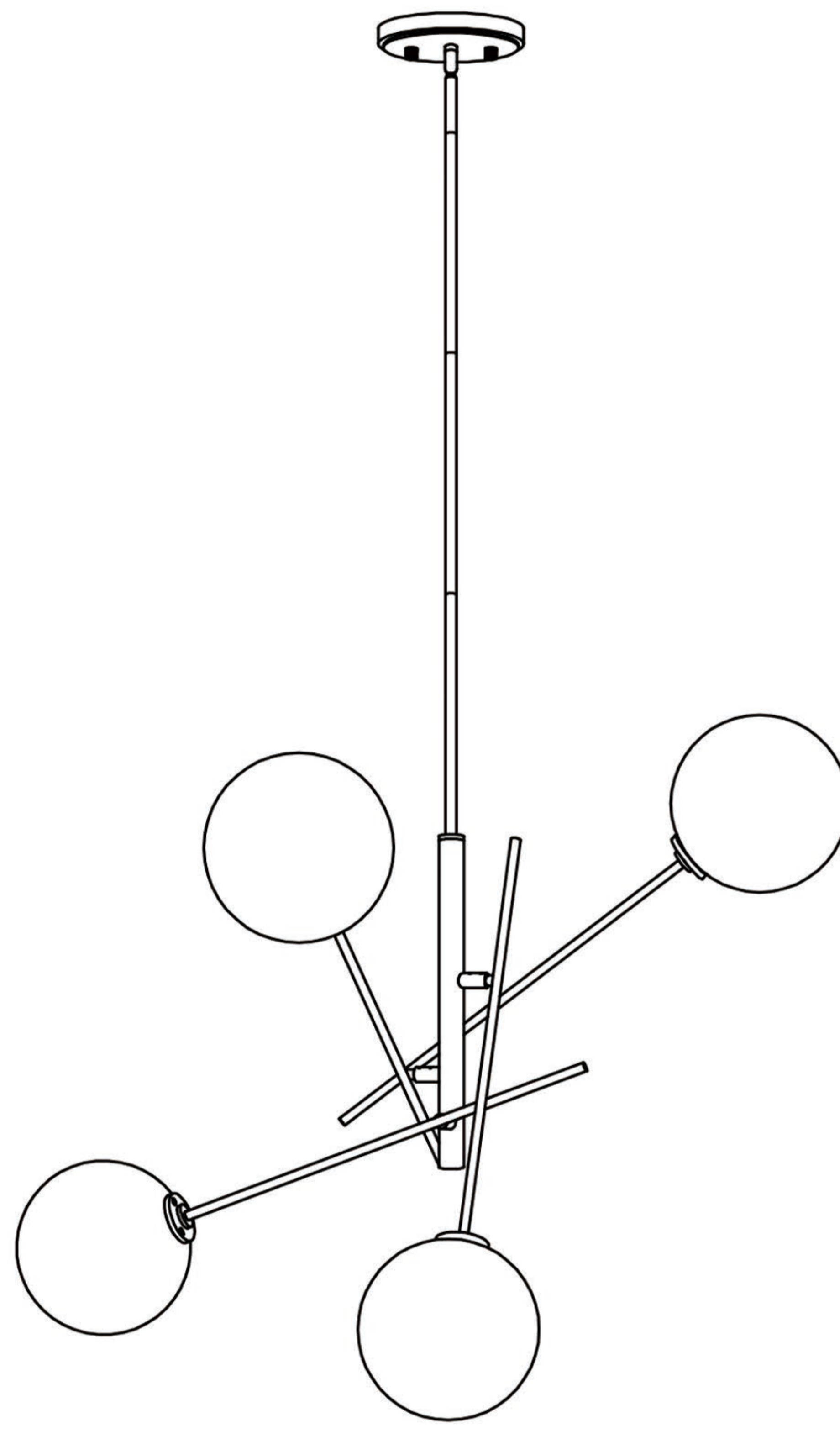
WARNING - if any Special Control Devices are used with this Fixture, Follow the instructions Carefully to assure full compliance With N.E.C. requirements. if there are any questions, contact a Qualified Electrical Contractor.
 CAUTION - All glass is fragile, use with care when handling Glass component(s) and or Lamp(s).
 WARNING - This product contains chemicals known to the State of California to cause cancer, birth defects and /or other reproductive harm. Thoroughly wash hands after installing, handling, cleaning, or touching this product .

CANOPY MOUNTING & WIRE CONNECTION ASSEMBLY STEPS:

Attach(N),(P) to achieve overall desired length.
 Una (N),(P) para lograr la longitud deseada.
 Joignez(N),(P) pour obtenir la Longueur voulue.



FIXTURE ASSEMBLY STEPS:



110-120V / 60Hz
 G9 4*MAX 20W Bulb
 or G9 4* MAX 4W LED Bulb
 (Do not contain light bulbs)

ITEM NO.:20114BD

1. AC110~120V,50~60Hz.The max lamp power is 20W Bulb.
2. Avoid to scratch the surface of lighting and the wires when installing .
3. Connect the live wire with the white wire, the natural wire with the parti-colored one, the earth one with the earth symbol (L-L,N-N).
4. Don't install it to the ceiling before it's completely dry, the surrounding around must be ventilated and dry.
5. Keep away from the acid, basicity objects and gases, clean with soft cloth. Water washing is not allowed.
6. Be careful when you install glass lamp shade.
7. The lighting must be installed by professional electrician and used for indoor only.
8. Please make sure to cut off the power supply when installing, cleaning, and replacing the bulb.