

# Vented Dryer, 5kg

Series 3 | Vented

White

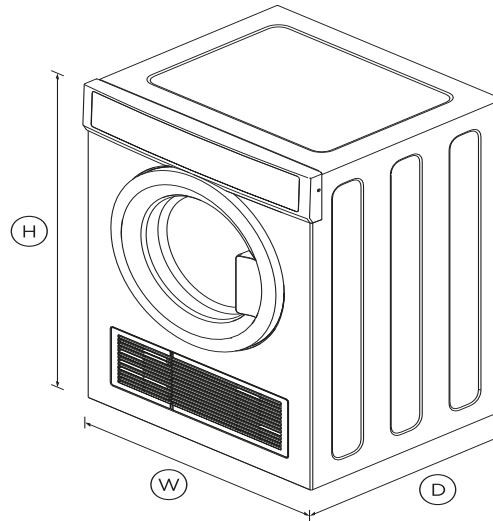


Dry your clothes efficiently, without over drying, in this vented dryer that's perfect for smaller households.

- Auto-sensing detects moisture level to prevent under or over drying
- Four fabric care cycles including Delicate and Everyday
- Full reverse tumbling to help dry garments quicker and more evenly
- Delay Start so you can set the start time to suit your schedule

## DIMENSIONS

Height	830 mm
Width	600 mm
Depth	572 mm



## FEATURES & BENEFITS

### Auto-sensing technology

Auto-sensing prevents over-drying by sensing moisture levels inside the drum and shutting off automatically. This helps clothes last for longer and reduces energy consumption.

### Cares for clothes

This model has four fabric care cycles including Delicate and Heavy, so all your items are taken care of. Select a cycle with the easy to use SmartTouch™ controls.

### Simple installation

Vent out either the front or the back of this dryer. A wall mounting kit is included and the control panel can be inverted easily.

### Easy loading

The robust dryer door features die cast metal hinges that open to a full 180° for easy access and loading.

## SPECIFICATIONS

### Consumption

Energy rating	2
Energy star rating	2

### Dry Cycles

Everyday	•
Heavy	•
Time Dry	•

### Features

Delay start	•
Easy access lint filter	•
End of cycle signal	•
Keylock	•
Lint filter indicator	•
Progress indicator	•

### Performance

Auto sensing	•
Choice of front or rear venting	•
Dryness settings	3
Reverse tumbling	•
Temperature settings	4
Timed dry	•

---

**Product dimensions**

Depth	<b>572 mm</b>
Height	<b>830 mm</b>
Width	<b>600 mm</b>

---

**Warranty**

Parts and labour	<b>2 years</b>
------------------	----------------

---

SKU	93276
-----	-------

---



**A PEACE OF MIND SALE**

**24 Hours 7 Days a Week Customer Support**

**T 0800 372 273 W [www.fisherpaykel.com](http://www.fisherpaykel.com)**

TEST The product dimensions and specifications in this page apply to the specific product and model. Under our policy of continuous improvement, these dimensions and specifications may change at any time. You should therefore check with Fisher & Paykel's Customer Care Centre to ensure this page correctly describes the model currently available. ? Fisher & Paykel Appliances Ltd 2020