

# Super Solid Large

## Full-motion TV Wall Mounts

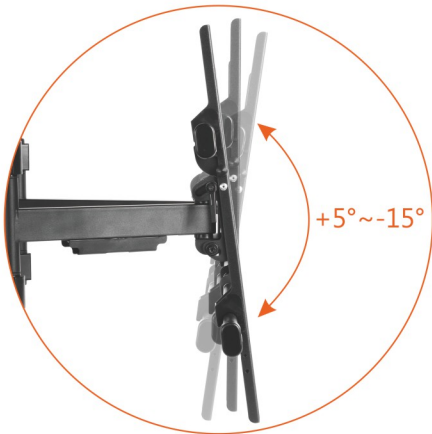


E-mail: [info@lumi.cn](mailto:info@lumi.cn)  
Online: [www.lumi.cn](http://www.lumi.cn)

**Brateck**<sup>®</sup>  
BRACKET TECHNOLOGY

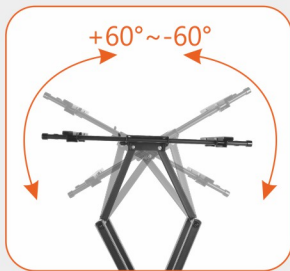
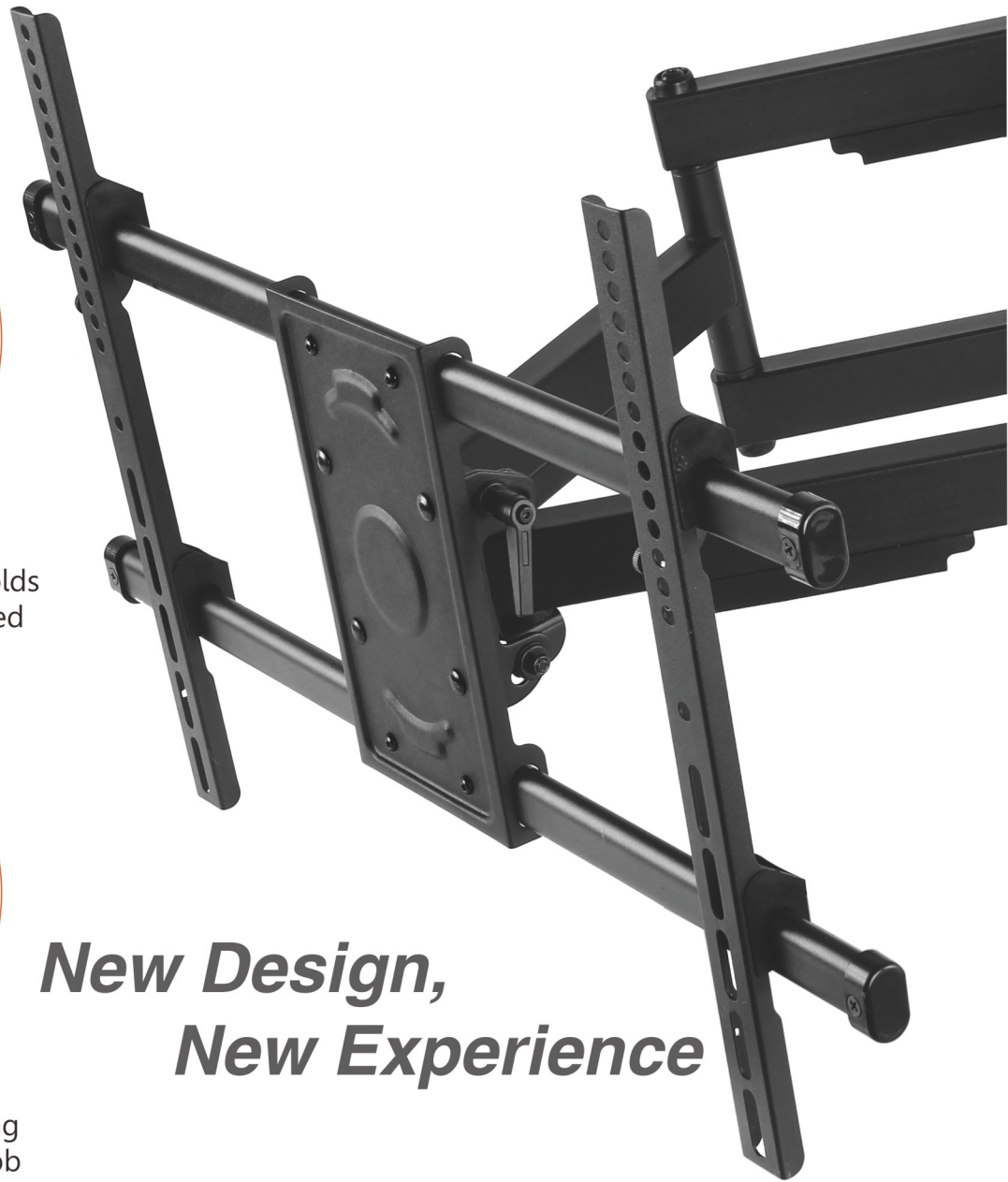


Quick lock and release system holds TV in place with no tools required

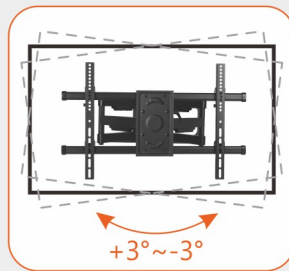


Freely tilting at a desired viewing angle by using an adjusting knob

### *New Design, New Experience*



Swiveling arm offer maximum viewing flexibility



Built-in level adjustment ensures perfect positioning

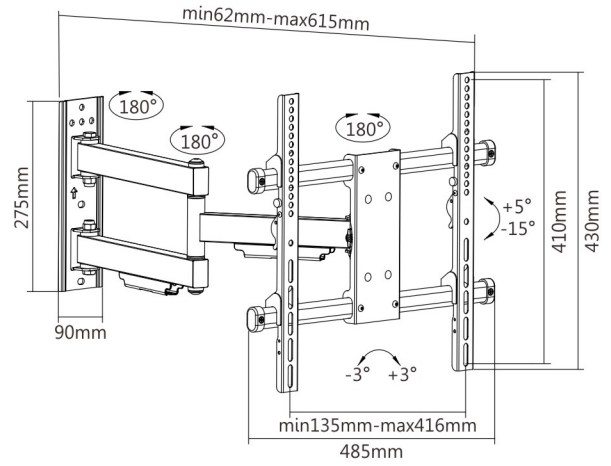
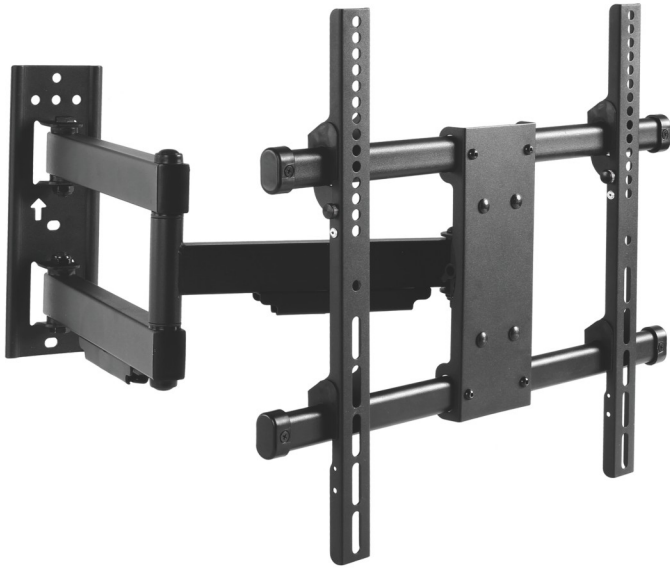


Integrated cable management keeps cables neatly organized

# Super Solid Large

## Full-motion TV Wall Mounts

**Brateck**<sup>®</sup>  
BRACKET TECHNOLOGY



**LPA49-443**

MOST  
**32"-55"**  
MAX.VESA 400x400

RATED  
**50kg/110lbs**

62-615mm

+5°-15°

+90°-90°

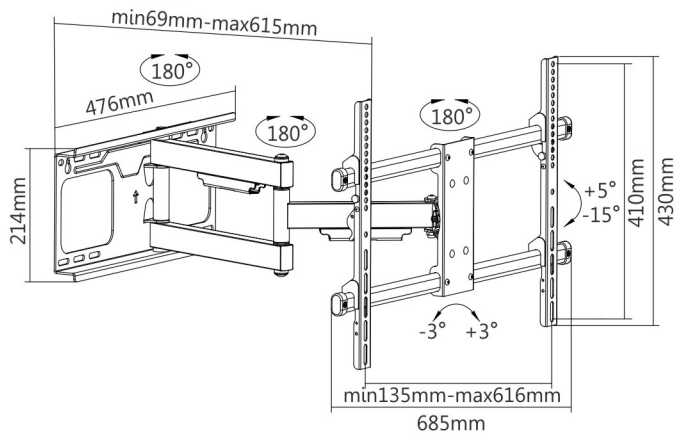
+3°-3°

VESA  
Compatible

200x200 400x200  
300x300 400x400

Four Times  
Strength  
Tested

Curved TV



**LPA49-463D**

MOST  
**37"-70"**  
MAX.VESA 600x400

RATED  
**60kg/132lbs**

69-615mm

+5°-15°

+90°-90°

+3°-3°

VESA  
Compatible

200x200 400x200  
300x300 400x400  
600x400

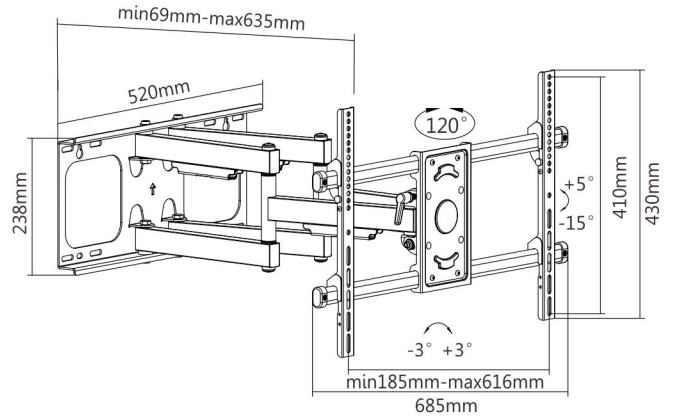
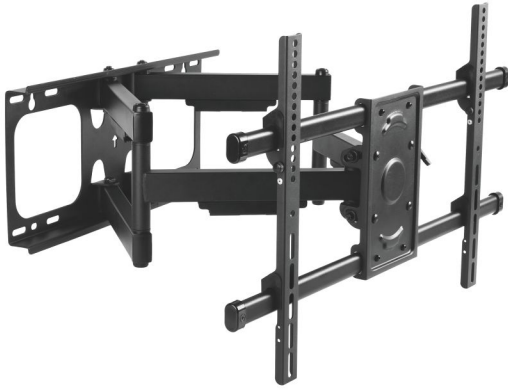
Four Times  
Strength  
Tested

Curved TV

# Super Solid Large

## Full-motion TV Wall Mounts

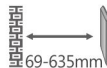
**Brateck**<sup>®</sup>  
BRACKET TECHNOLOGY



**LPA49-466**

MOST  
**37"-70"**  
MAX.VESA: 600x400

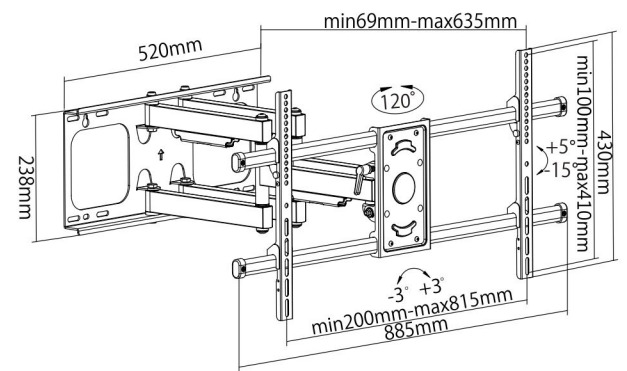
RATED  
**65kg/143lbs**



VESA  
Compatible

200x200 400x200  
300x300 400x400  
600x400

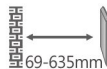
Four Times  
Strength  
Tested



**LPA49-486**

MOST  
**37"-90"**  
MAX.VESA: 800x400

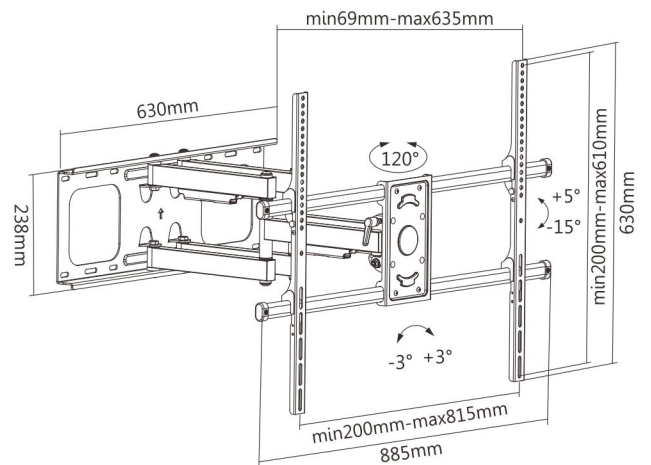
RATED  
**75kg/165lbs**



VESA  
Compatible

200x200 400x200  
300x300 400x400  
600x400 800x400

Three Times  
Strength  
Tested



**LPA49-686**

MOST  
**50"-90"**  
MAX.VESA: 800x400

RATED  
**75kg/165lbs**



VESA  
Compatible

200x200 300x200 300x300  
400x200 400x300 400x400  
600x400 800x400 800x600

Two Times  
Strength  
Tested

