

Ergoplan Desk 1500/1800

Assembly Instructions

Tools Required: Powered Screwdriver



Ergoplan Desk 1500/1800

Assembly Instructions

Thank you for purchasing Knight product, please carefully read the assembly instructions prior to installment to gain a complete understanding of the product. It provides you with important information about the safety, use, installation and maintenance.

WARNING: FAILURE TO COMPLY WITH OR OBSERVE ALL ASSEMBLY, SAFETY AND OPERATION INSTRUCTIONS REGARDING THE USE OF THIS PRODUCT MAY RESULT IN SERIOUS BODILY INJURY.

SAFETY

- The product must be used in a safe manner. Inappropriate use may cause damage to the product and/or cause bodily harm to the user or persons nearby.
- Don't locate furniture in direct sunlight or near air-conditioning inlet or heating radiator.
- Don't put high-temperature or frozen objects on furniture.
- Safely carry product to location of assembly.
- Retain this operation manual and pass it on to any future owner.

SET UP AND INSTALLATION

- Assemble the product according to the assembly instructions.
- To prevent possible scratches or damage, assemble the product on a soft surface such as a blanket, carpet or packaging.
- Place the product a safe distance from window frames, radiators, furniture etc. so that persons cannot become trapped.

It is recommended that this product is assembled by 2 people.

Any questions contact Knight on 0800 143 143

Due to continuous improvement of our products, our assembly instructions may not be in complete accordance with the product and we apologise in advance.



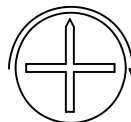
Ergoplan Desk 1500/1800

Assembly Instructions

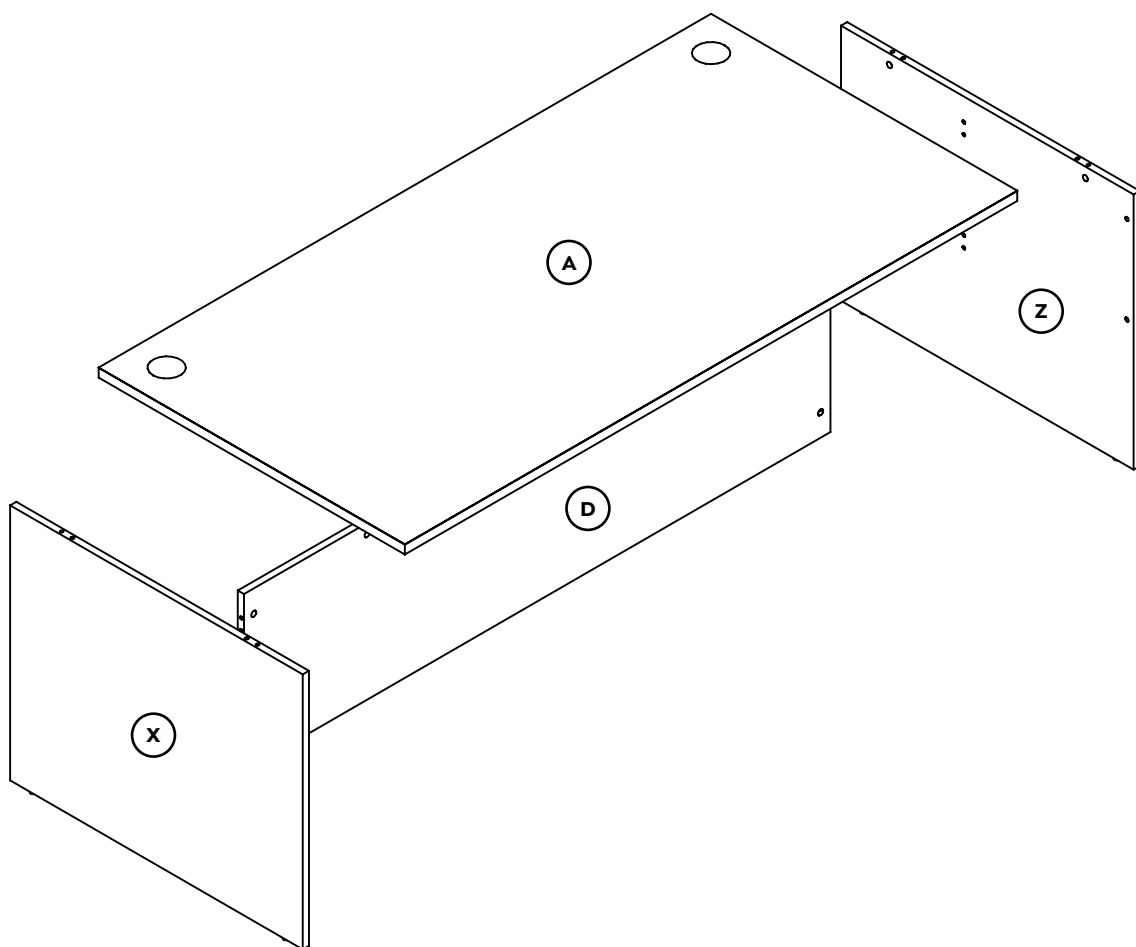
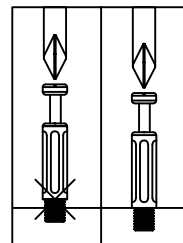
Parts

Item	Description	Quantity
A	Top Panel	1
X	Left Side Panel	1
Z	Right Side Panel	1
D	Modesty Panel	1

The turning direction
of attaching



Incorrect Correct



Ergoplan Desk 1500/1800

Assembly Instructions

Parts

Item	Description	Quantity
c1	6x35 Cam Bolt	10
d1	8x30 Dowel Pin	10
c2	Cam Sticker	10
b1	Bracket	4
s1	3.5x15 Screw	16



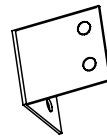
c1 6x35 Cam Bolt



d1 8x30 Dowel Pin



c2 Cam Sticker



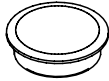
b1 Bracket



s1 3.5x15 Screw



Cam
(pre-installed)

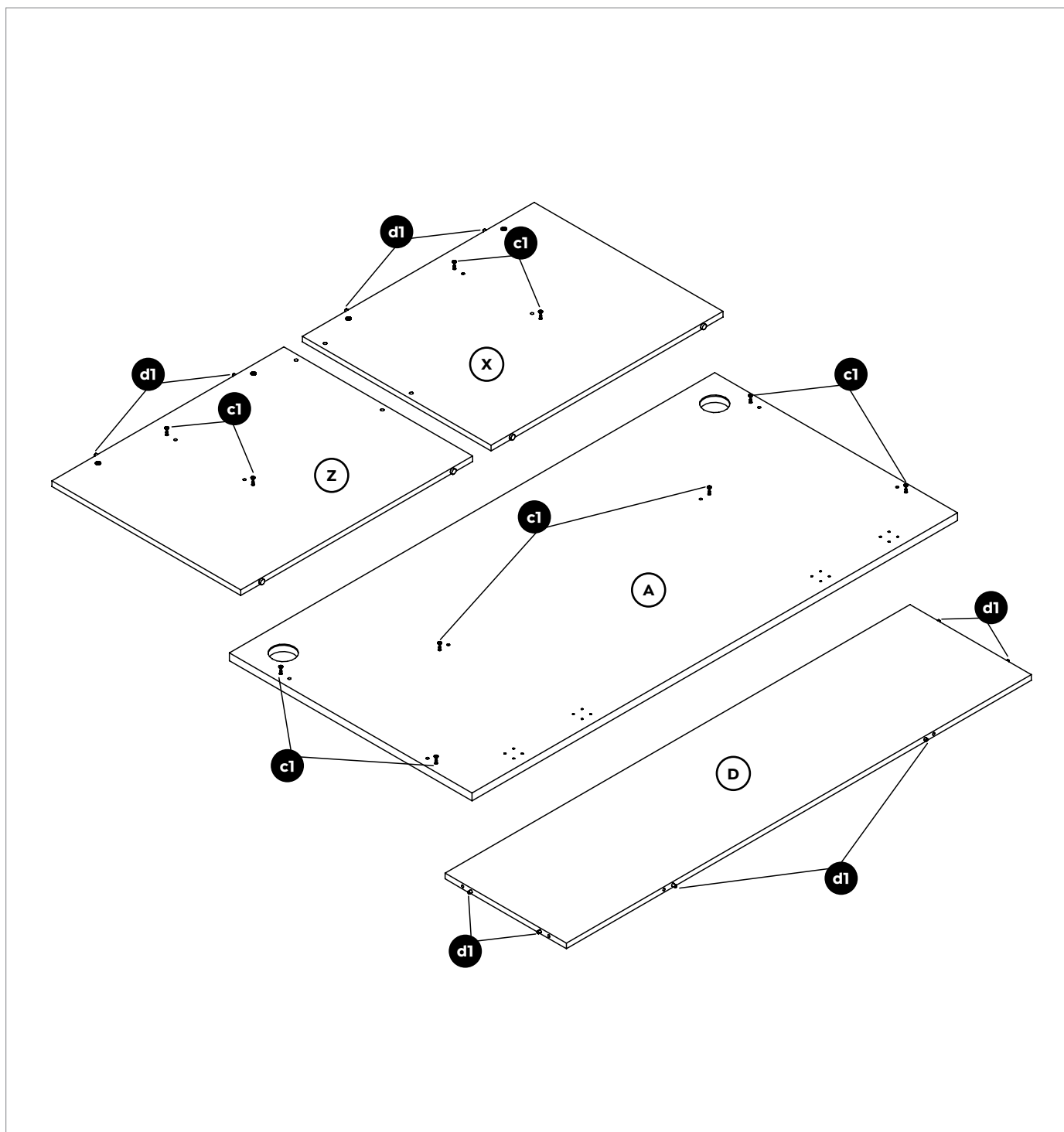


Cable Port
1500mm & 1800mm Only
(pre-installed)

Step 1

Preparation for top panel A, left side panel X, right side panel Z and modesty panel D.

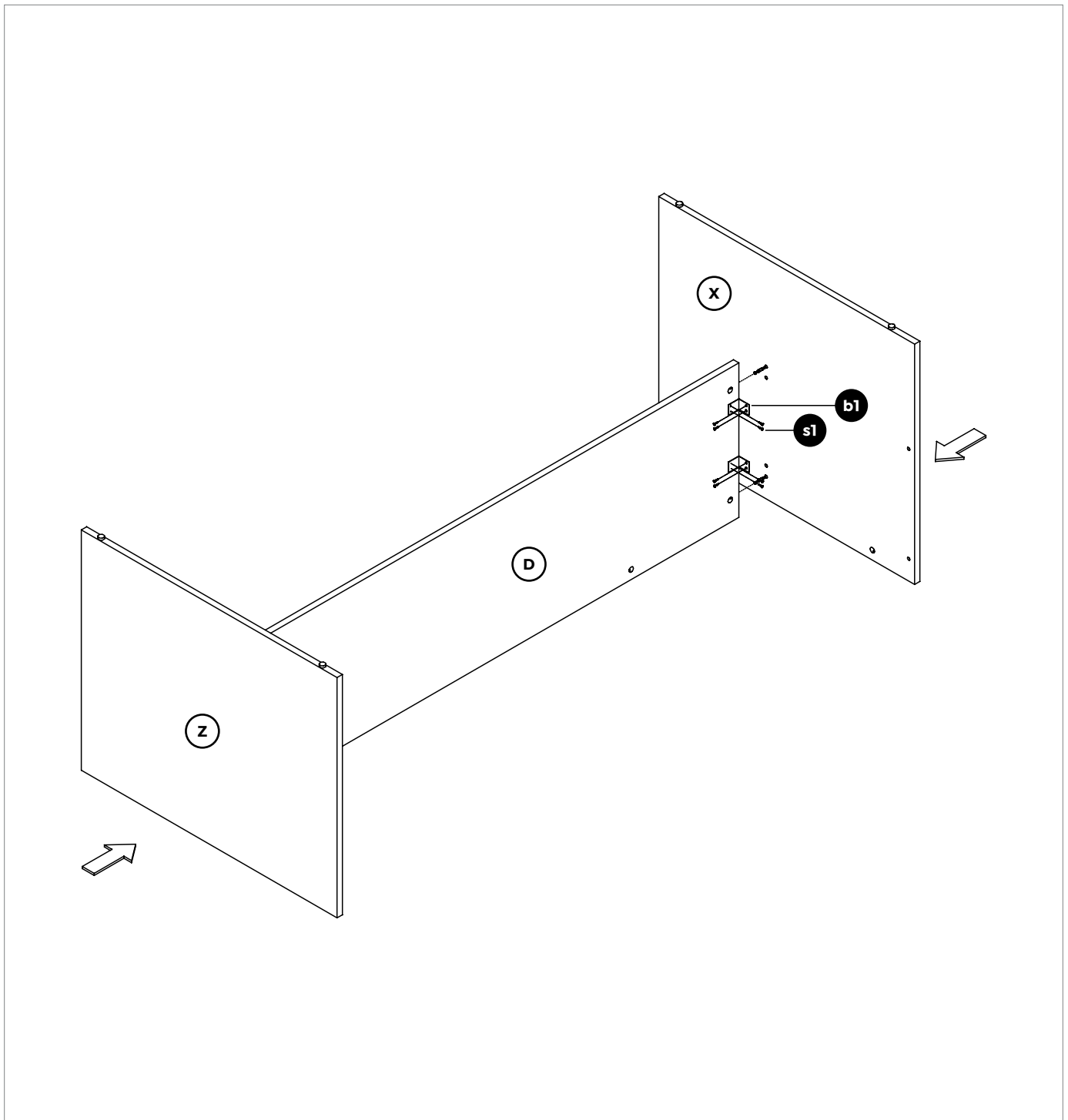
1. Insert cam bolts (c1) into panels A, X and Z.
2. Insert dowel pins (d1) into panels X, Z and D.



Step 2

Left side panel X, right side panel Z, and modesty panel D assembly.

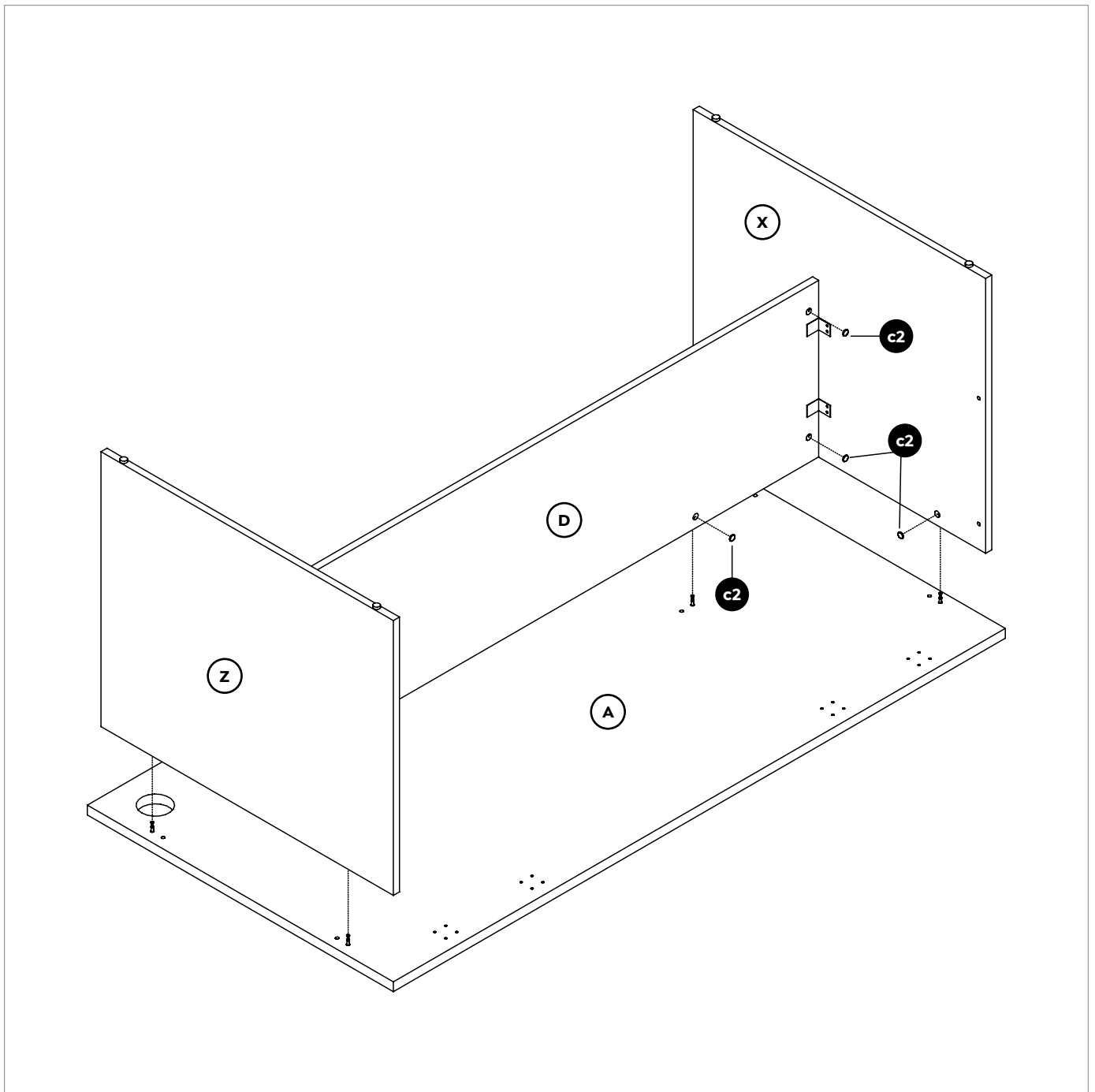
1. Insert cam bolts (c1) on panels X and Z into cams on panel D and tighten in a clockwise direction.
2. Fix panel X & D and panel Z & D with bracket (b1) using screws (s1).



Step 3

Top panel A assembly.

1. Insert cam bolts (c1) on panel A into cams on panels Z, D and X and tighten in a clockwise direction.
2. Cover top of cams with cam stickers (c2).
3. Turn desk over to upright position.



Complete

