

# Ergoplan Credenza

## Assembly Instructions

**Tools Required:** Powered Screwdriver



# Ergoplan Credenza

## Assembly Instructions

---

Thank you for purchasing Knight product, please carefully read the assembly instructions prior to installment to gain a complete understanding of the product. It provides you with important information about the safety, use, installation and maintenance.

**WARNING: FAILURE TO COMPLY WITH OR OBSERVE ALL ASSEMBLY, SAFETY AND OPERATION INSTRUCTIONS REGARDING THE USE OF THIS PRODUCT MAY RESULT IN SERIOUS BODILY INJURY.**

### SAFETY

- The product must be used in a safe manner. Inappropriate use may cause damage to the product and/or cause bodily harm to the user or persons nearby.
- Don't locate furniture in direct sunlight or near air-conditioning inlet or heating radiator.
- Don't put high-temperature or frozen objects on furniture.
- Safely carry product to location of assembly.
- Retain this operation manual and pass it on to any future owner.

### SET UP AND INSTALLATION

- Assemble the product according to the assembly instructions.
- To prevent possible scratches or damage, assemble the product on a soft surface such as a blanket, carpet or packaging.
- Place the product a safe distance from window frames, radiators, furniture etc. so that persons cannot become trapped.

It is recommended that this product is assembled by 2 people.

**Any questions contact Knight on 0800 143 143**

Due to continuous improvement of our products, our assembly instructions may not be in complete accordance with the product and we apologise in advance.



# Ergoplan Credenza

## Assembly Instructions

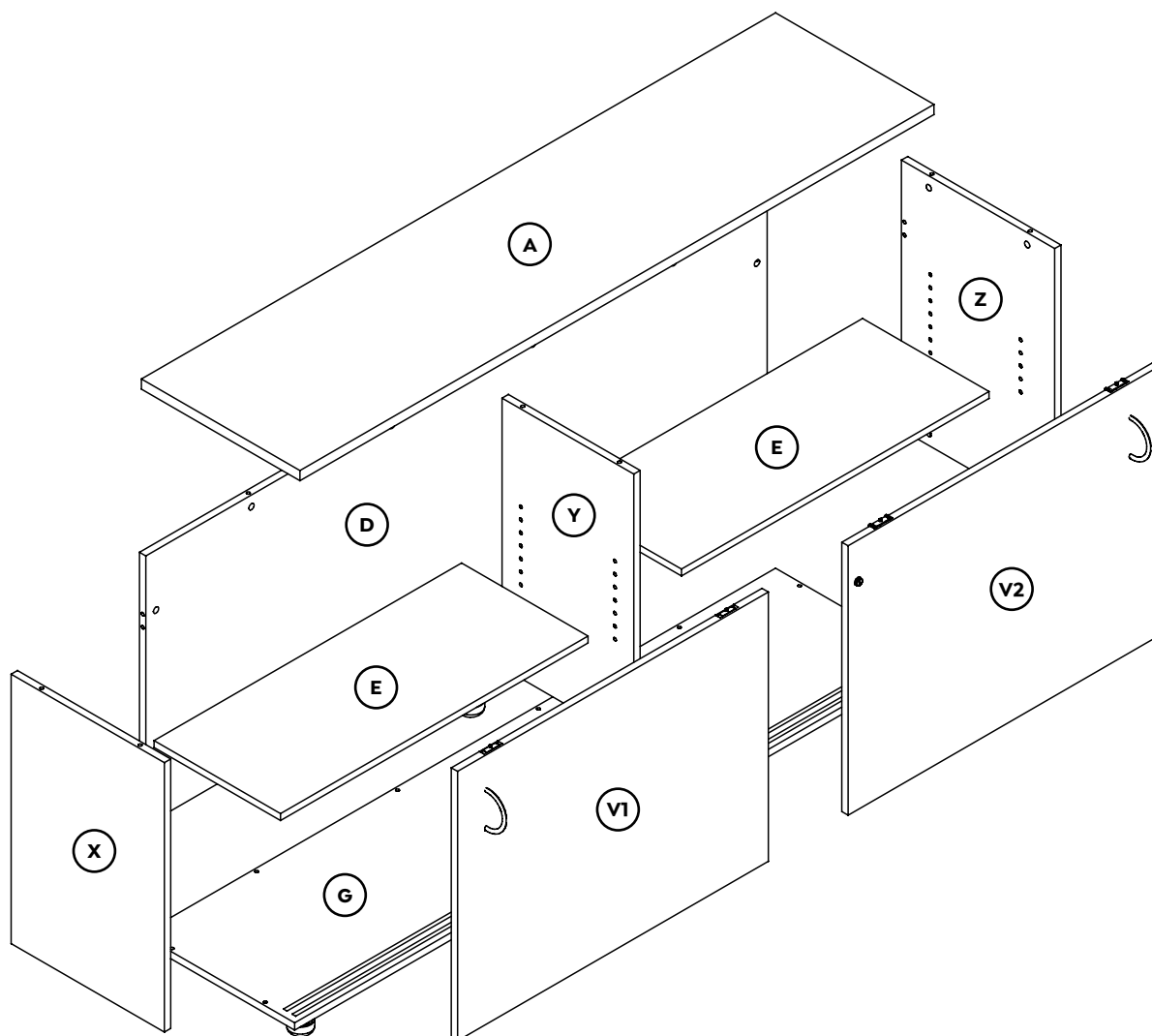
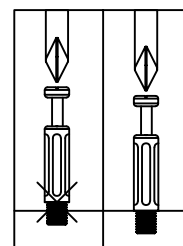
### Parts

Item	Description	Quantity
A	Top Panel	1
X	Left side Panel	1
Z	Right side Panel	1
D	Back Panel	1
G	Bottom Panel	1
V1	Left Door Panel	1
V2	Right Door Panel	1
E	Moveable Shelf	2
Y	Centre Panel	1

The turning direction  
of attaching



Incorrect Correct



# Ergoplan Credenza

## Assembly Instructions

### Parts

Item	Description	Quantity
c1	6x35 Cam Bolt	24
d1	8x30 Dowel Pin	24
c2	Cam Sticker	24
p1	Shelf Pin	8
s7	4x22 Fix Bolt	4
h3	Handle	2
s1	3.5x15 Screw	10
b1	Bracket	2
c6	Foot	6
s2	3.5x35 Screw	6
k3	Lock	1



c1 6x35 Cam Bolt



d1 8x30 Dowel Pin



c2 Cam Sticker



p1 Shelf Pin



s7 4x22 Fix Bolt



h3 Handle



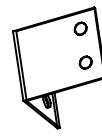
c6 Foot



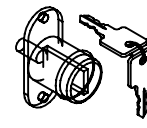
s2 3.5x35 Screw



s1 3.5x15 Screw



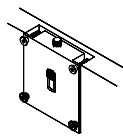
b1 Bracket



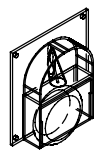
k3 Lock



Cam  
(pre-installed)



Door Catch  
(pre-installed)

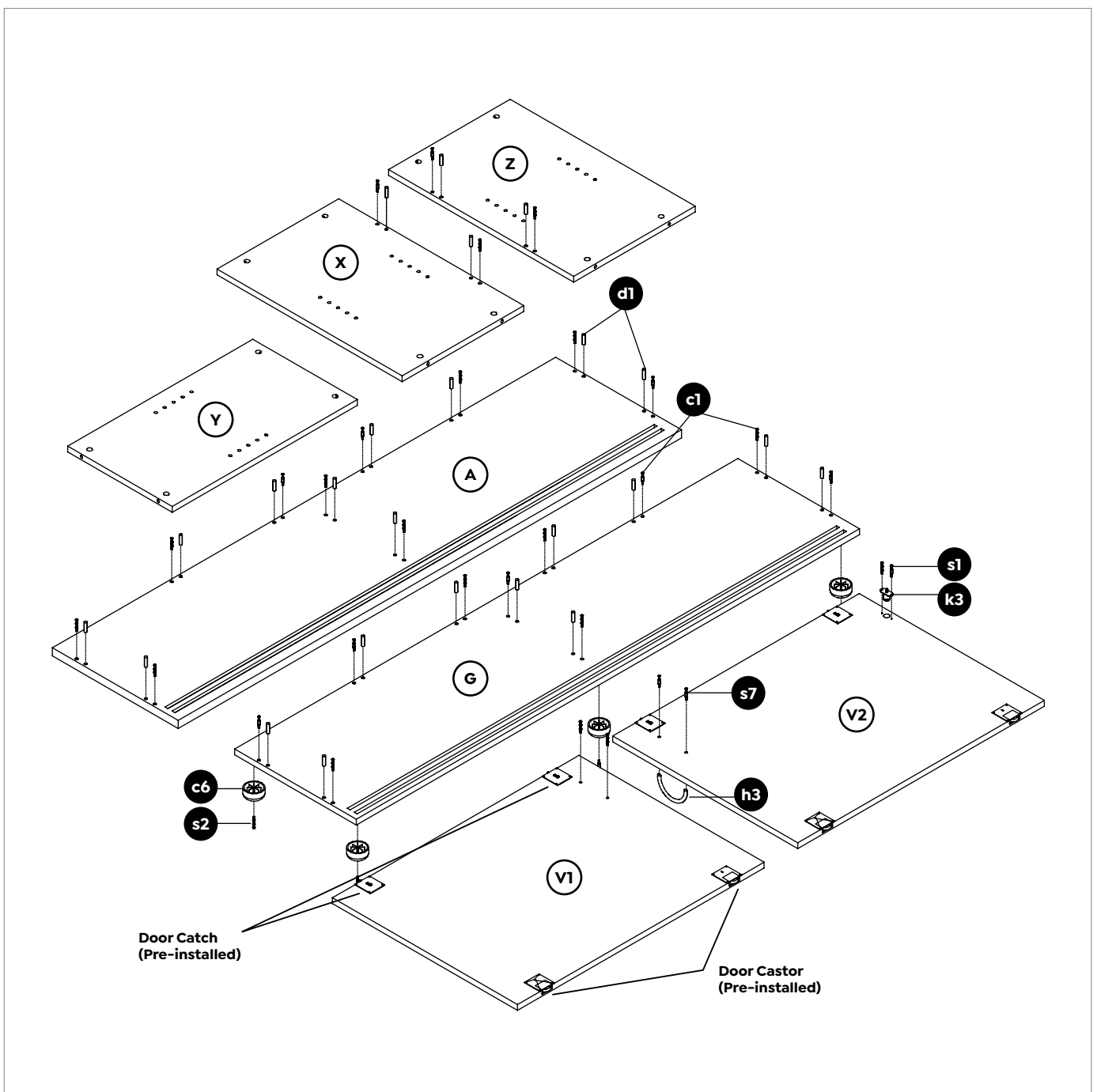


Door Castor  
(pre-installed)

### Step 1

#### Preparation for top panel A, bottom panel G, left side panel X, right side panel Z, door panel V1 and V2.

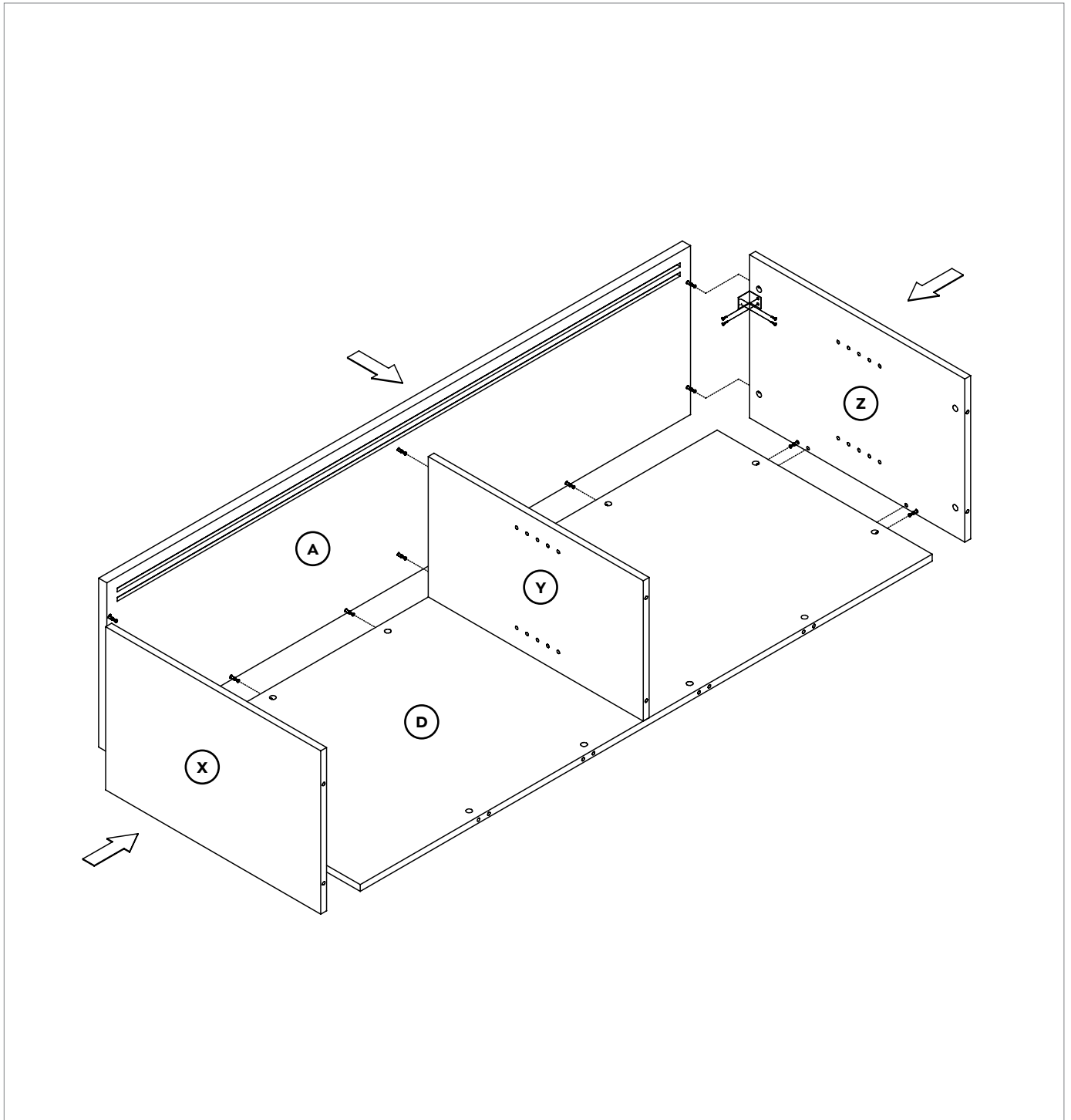
1. Insert cam bolt (c1) and dowel pins (d1) into panel A, G, X and Z.
2. Assemble handle (h3) with fix bolts (s7) on door panel V1 and V2.
3. Assemble the lock (k3) with screws (s1) on door panels V2.
4. Assemble feet (c6) with screws (s2) on the underneath of bottom panel G.



### Step 2

#### Left side panel X, right side panel Z and centre panel Y assembly.

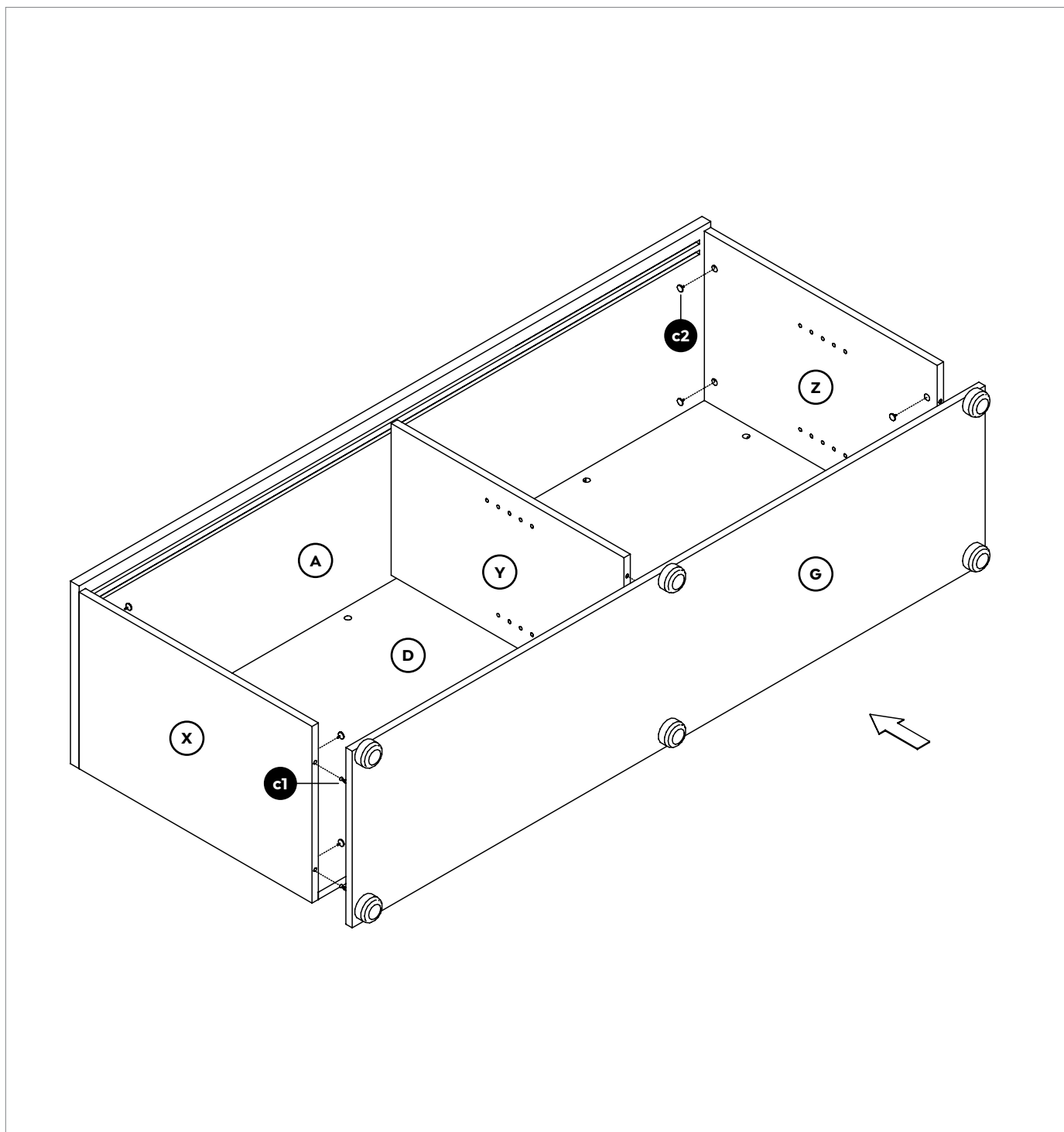
1. Insert cam bolt (c1) on panels X and Z into cams on panel D and tighten in a clockwise direction.
2. Insert cam bolt (c1) on panel A into cams on panels X, Y, D & Z and tighten in a clockwise direction.



### Step 3

#### Bottom panel G assembly.

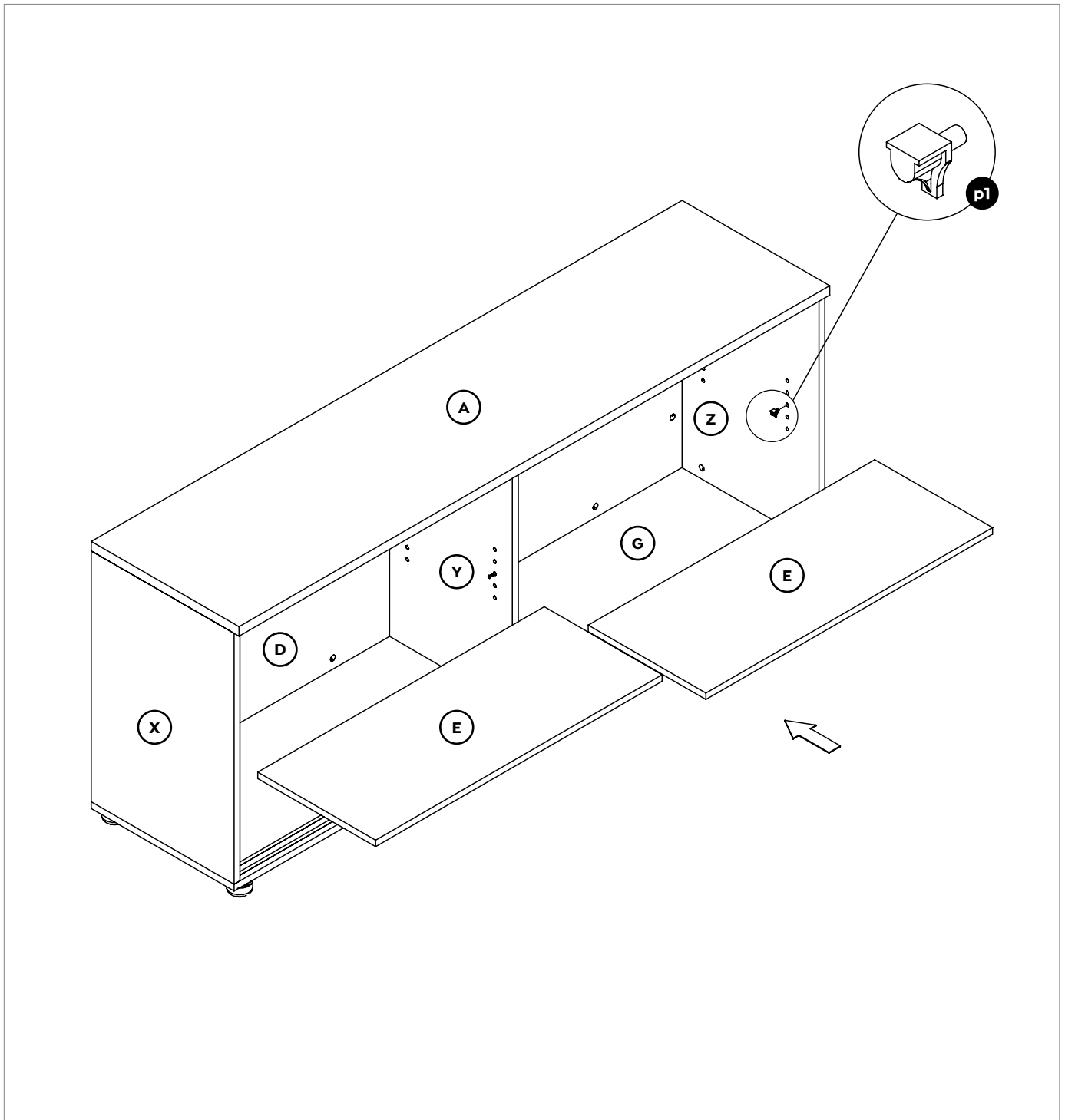
1. Insert cam bolt (c1) on panel G into cams on panel X, Z, Y and D and tighten in a clockwise direction.
2. Cover top of cams with cam stickers (c2).



## Step 4

### Movable shelf E assembly.

1. Insert shelf pins (p1) into panels X, Z and Y at desired shelf height.
2. Place the two panels E on the top of the shelf pins (p1).

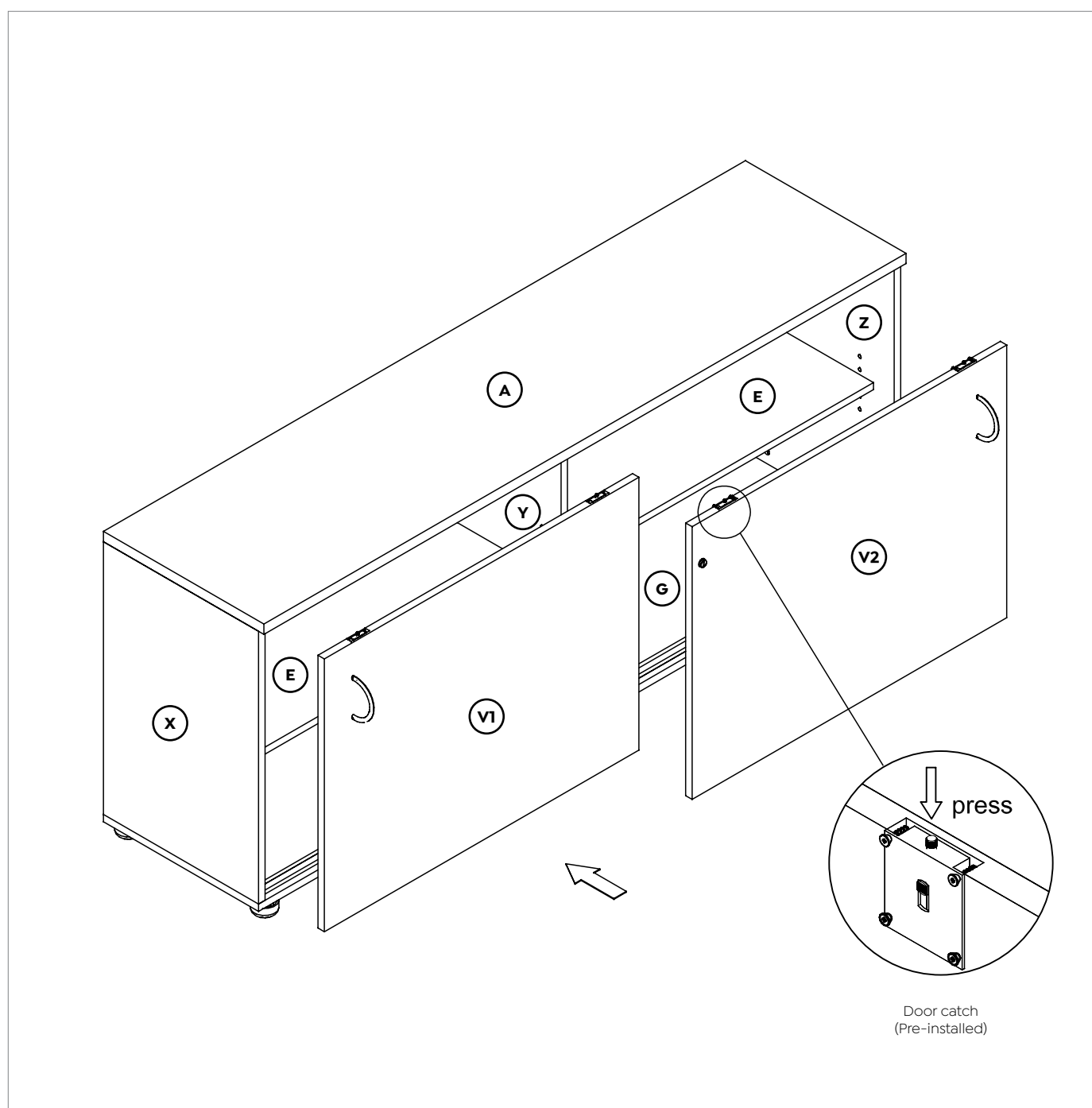




## Step 5

### Door V1 and V2 assembly.

1. Slightly tilt door V1 towards you and place door castors in bottom tracking closest to inner of credenza. As you move door back into upright position hold down the door catch button to secure door in place on the top tracking.
2. Repeat above for door V2 in the outer track closest to you.



## Complete

---

