

Cubit Electric Desk

Assembly Instructions

Tools Required: Powered Screwdriver, Soft Headed Hammer





IMPORTANT NOTES!

Prior to installment, use or maintenance of the desk frame, any installer and any user of the desk must study this assembly and operation manual carefully, so as to gain a complete understanding of its content.



WARNING: FAILURE TO COMPLY WITH OR OBSERVE ALL ASSEMBLY, SAFETY AND OPERATION INSTRUCTIONS AND WARNINGS REGARDING THE USE OF THIS PRODUCT MAY RESULT IN SERIOUS BODILY INJURY.

Safety and Warnings

- This desk complies with the prescribed safety regulations. Inappropriate use may cause damage to persons and desk.
- Please read the operation manual prior to start using the desk. It provides you with important information about safety, use, installation and maintenance of the desk, and thus protecting you and your children and avoiding damage on the desk.
- Please guard this operation manual and pass it on to any future owner!

Usage

The electromotive, highrise desks are designed for workstations in dry work environments only. The desk height is infinitely adjustable, so that it can be set to the most ergonomically suitable working level.

They have not been designed for other purposes than those included in this manual, e.g. they are not to be used in areas of high humidity or dampness, nor for lifting people.

Any other use is at one's own risk!

Do not crawl, lie or move around under the desk frame, and do not sit or stand on the desk frame.

CHILDREN should only use the desk when supervised by adults.

Liability: The manufacturer accepts under no circumstances warranty claims or liability claims for damages arising from improper use or handling of the desk frame other than that described in this operation manual.

Set-up and Installation

When the desk has been assembled (see assembly instructions on page 3-4) the adjustable feet are installed so that the desk is level and does not shift. Then the desk is connected to the 110-230 VAC outlet and the desk is ready for use.

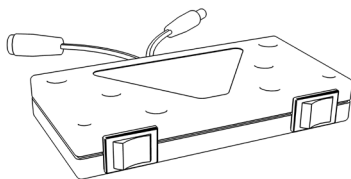
Make sure that no cables can get jammed.

Place the desk in a safe distance from window frames, radiators, furniture etc. so that people do not get stuck.

Do not place any objects above 55 cm underneath the desk.

When moving the desk after it has been assembled, the desk top needs to be removed. The desk CANNOT be lifted by the desktop.

Operation



UP/DOWN OPERATION:

BOTH buttons must be pressed **SIMULTANEOUSLY** either right or left.

Maintenance and Defects

The desk does not require any maintenance by usage as described in the above section.

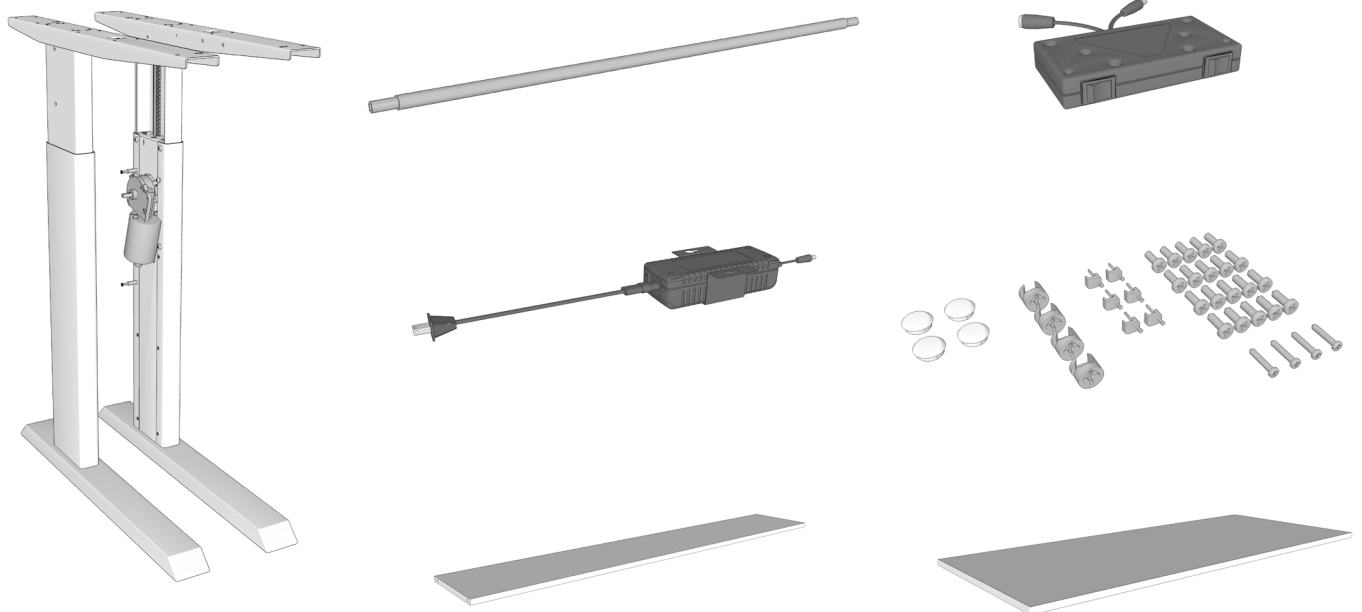
The desk is only to be maintained with a wrung cloth.

In the event of the occurrence of jarring sounds during operation, STOP using the desk and please contact the dealer.

Technical Data

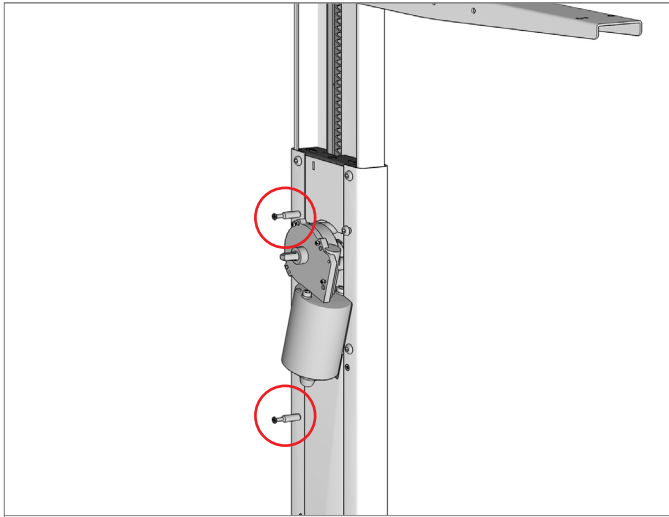
Frame, Materials and Weights:	Steel, silver, white or black - weight metal frame 21kg
Width:	1200-1800mm
Depth:	650-900mm
Height:	660-1205mm
V (Speed):	25mm/sec
Lifting Capacity:	70kg
Operation:	Rocker switches
Voltage:	220-230 VAC/50Hz or 110-120 VAC/60Hz
Consumption:	60 Watt; Standby: Max 0.9 Watt

Parts



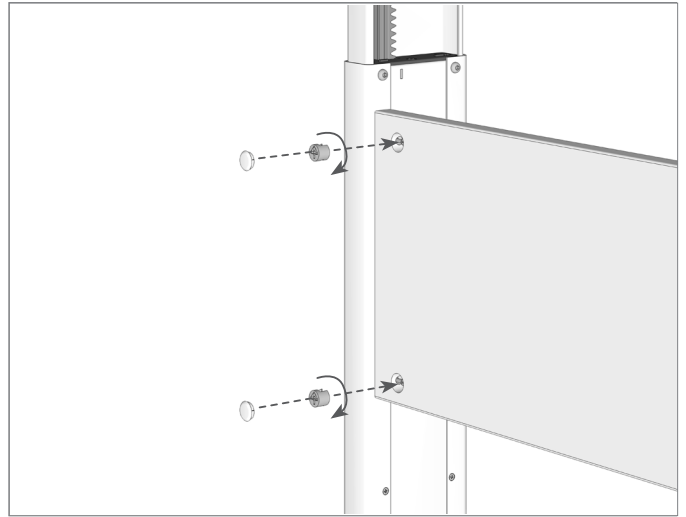
Step 1

Screw two modesty panel pins into each leg.



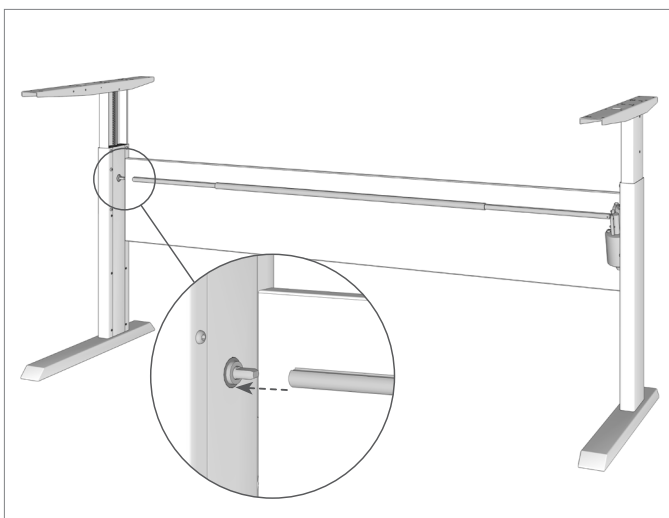
Step 2

Slide modesty panel into position on each leg, tighten cam to lock in place. Use a soft headed hammer as necessary to fit the plastic cover caps to each cam.



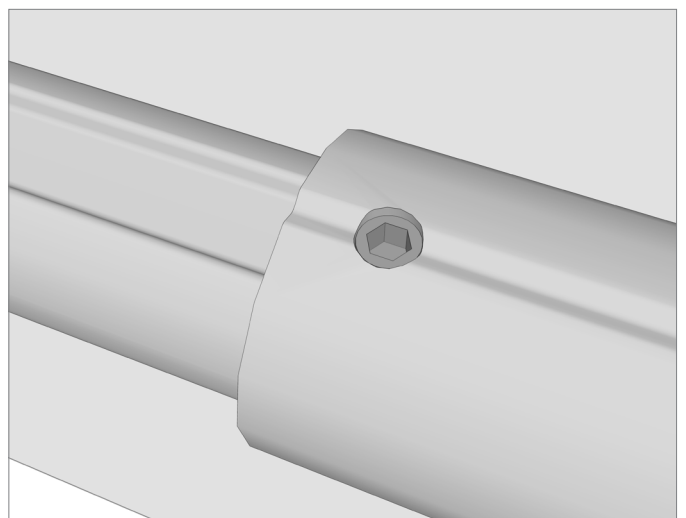
Step 3

Slide the gear rail onto the opposite leg to the motor, then fully extend the rail until it meets the drive shaft on the motor.



Step 4

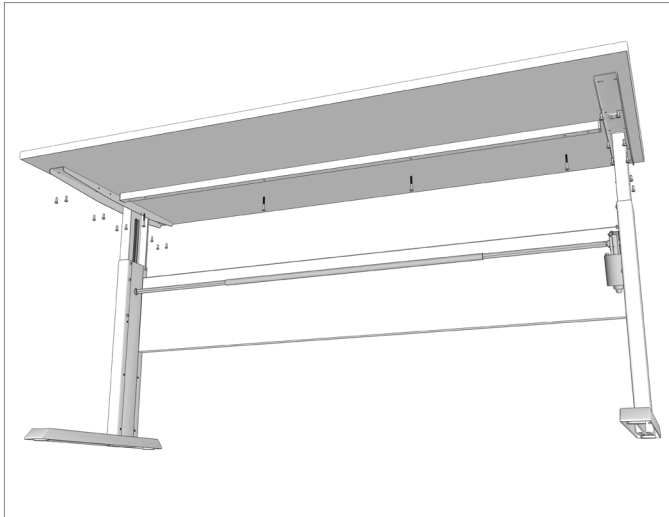
Once the gear rail is fully extended, tighten the two small grub screws on the rail to secure the rails length.



Assembly Instructions

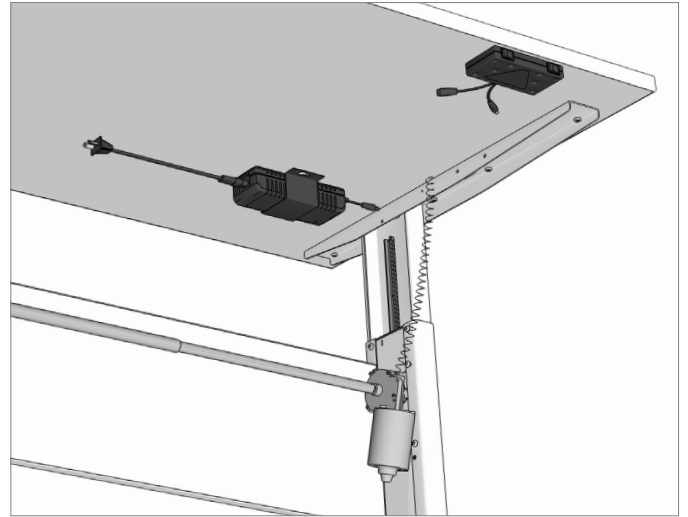
Step 5

Centre the worksurface and secure to each leg using the provided screws. For desks 1500mm or wider, also fix a worktop stiffening rail as pictured below. *Note: If using a Studio50 screen, please see Step 8 before securing worksurface.*



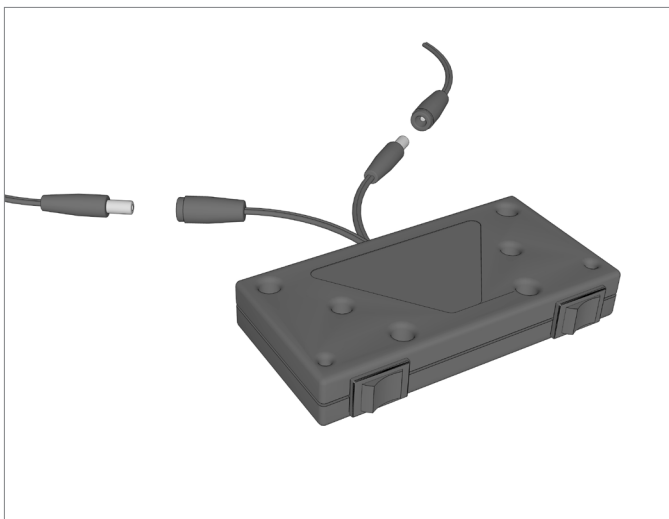
Step 6

Secure the power supply and controls in the locations pictured below. Ensure the controls are located near the front edge of the worksurface.



Step 7

Connect the power supply to the controls. Test operation.



Step 8

If using a Studio50 screen with brackets in **fig 1**, centre the worksurface over the desk frame, ensure the gap between the back of the worksurface and the back of the leg is 10mm. Secure worksurface.

