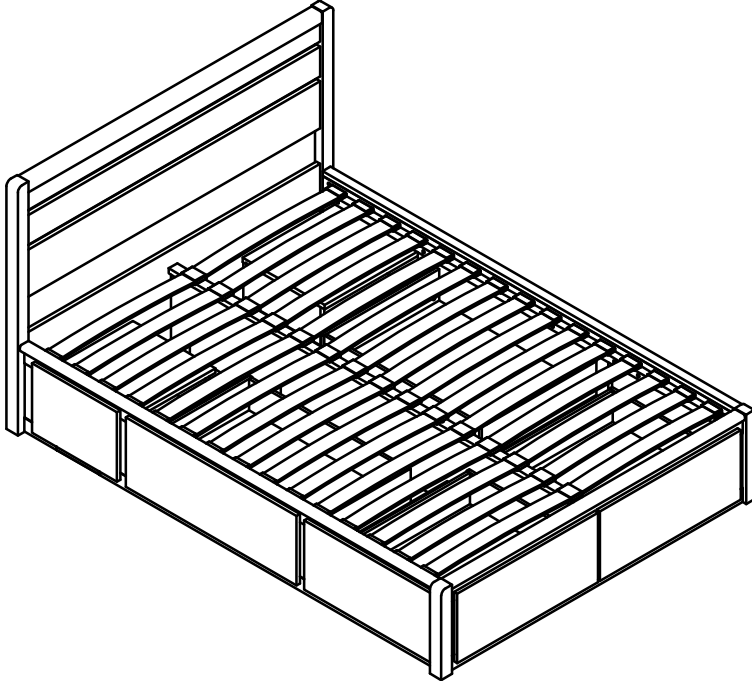


Koeler Storage Flexi-Slat Bed Frame



PRE-ASSEMBLY PREPARATION

Please ensure instructions are read in full before attempting to assemble this product

Necessary Tools



Please check the pack contents before attempting to assemble this product. A full checklist of components is given in this leaflet. If any components are missing, please contact the John Lewis helpline.











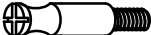

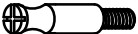

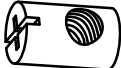
This product is **HEAVY**. It should be assembled as near as possible to the point of use. **TAKE CARE WHEN LIFTING** to avoid personal injury and (or) damage to the product.

This product takes approximately **90 MINUTES** to assemble with **2 PEOPLE**.

The fittings pack contains **SMALL PARTS** which should be **KEPT AWAY FROM YOUNG CHILDREN**.

Fittings and parts checklist

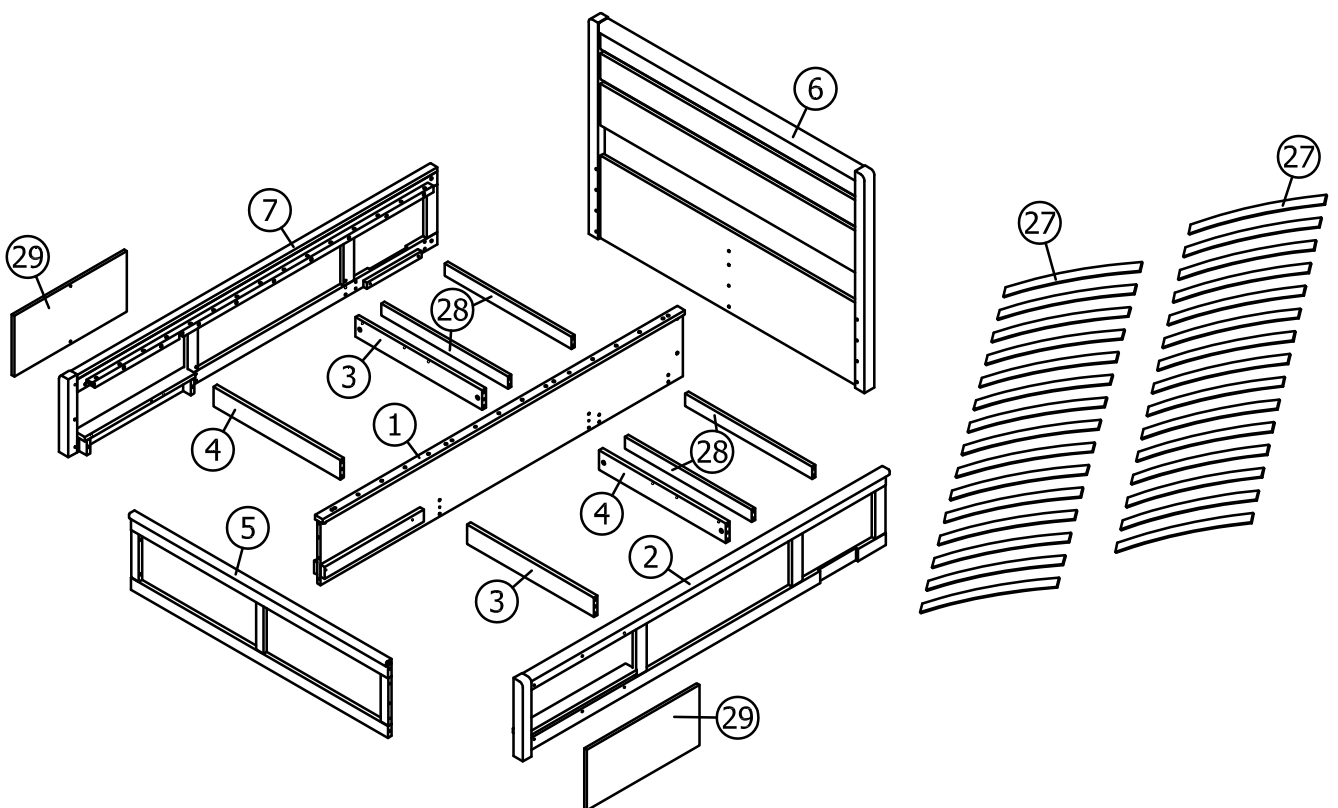
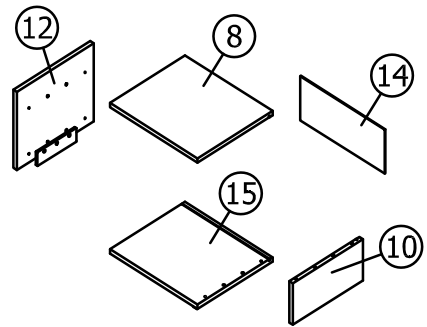
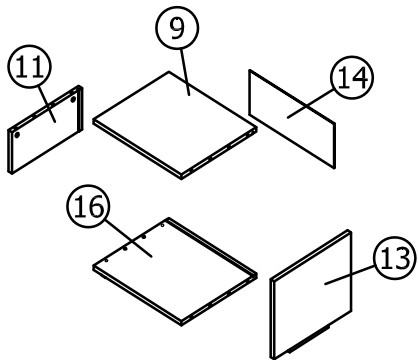
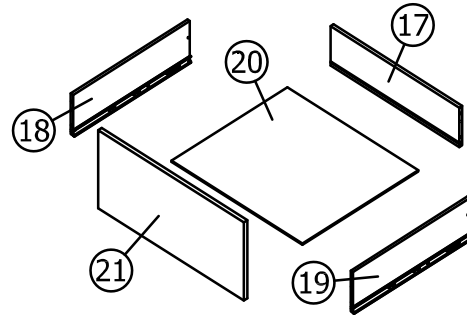
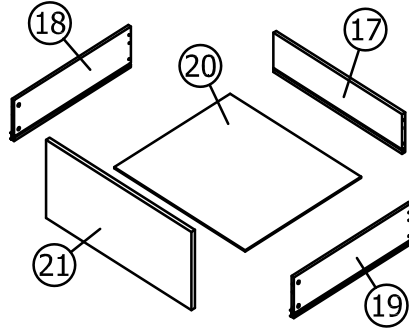
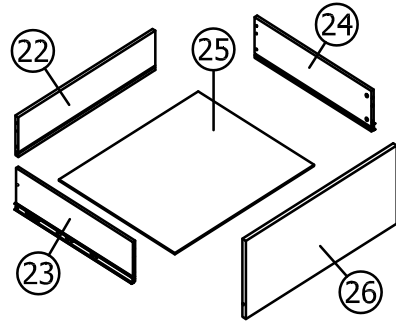
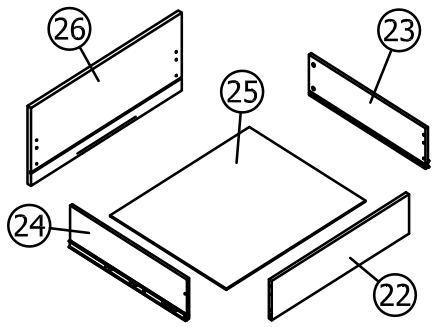
Fittings

A	M6 x 60mm BOLT x2		H		M6 x 30mm DOWEL x20
B	M6 x 90mm BOLT x4		I		M8 x 30mm DOWEL x58
C	M4 ALLEN KEY x1		J		M4 x 50mm SCREWS x16
D	LARGE CAMFIX x26		K		M6 SPRING WASHERS x6
E	SMALL CAMFIX x16		L		END CAPS x30
F	LARGE MINIFIX x34		M		CENTRE CAPS x15
G	SMALL MINIFIX x8		N		M4 x 25mm SCREWS x8
			O		BARREL NUT x6

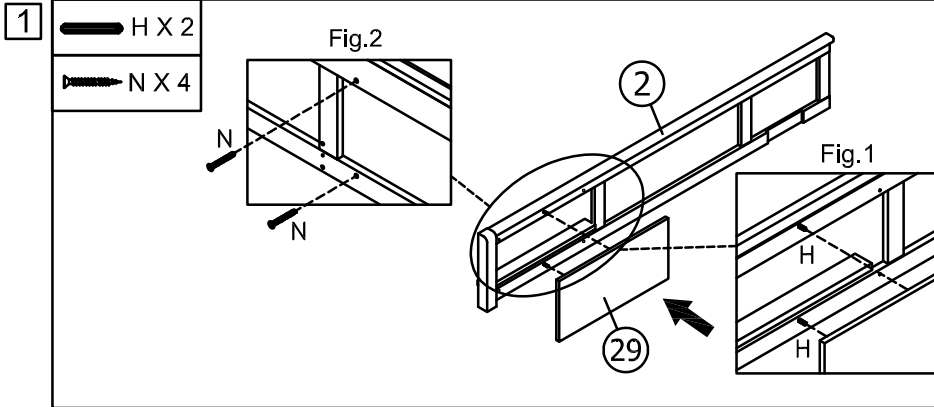
Parts

NO	DESCRIPTION	QTY	NO	DESCRIPTION	QTY
1	CENTRE FRAME	x 1	15	BEDSIDE TABLE - BOTTOM LEFT PANEL	x 1
2	RIGHT SIDE RAIL	x 1	16	BEDSIDE TABLE - BOTTOM RIGHT PANEL	x 1
3	DRAWER SLIDE SUPPORT RAIL 1	x 2	17	FOOTBOARD DRAWER BACK	x 2
4	DRAWER SLIDE SUPPORT RAIL 2	x 2	18	FOOTBOARD LEFT DRAWER PANEL	x 2
5	FOOTBOARD FRAME	x 1	19	FOOTBOARD RIGHT DRAWER PANEL	x 2
6	HEADBOARD	x 1	20	FOOTBOARD DRAWER BASE	x 2
7	LEFT SIDE RAIL	x 1	21	FOOTBOARD DRAWER HEAD	x 2
8	BEDSIDE TABLE TOP PANEL - LEFT SIDE	x 1	22	SIDE RAIL DRAWER BACK	x 2
9	BEDSIDE TABLE TOP PANEL - RIGHT SIDE	x 1	23	SIDE RAIL LEFT DRAWER PANEL	x 2
10	BEDSIDE TABLE - LEFT PANEL	x 1	24	SIDE RAIL RIGHT DRAWER PANEL	x 2
11	BEDSIDE TABLE - RIGHT PANEL	x 1	25	SIDE RAIL DRAWER BASE	x 2
12	BEDSIDE TABLE - LEFT DRAWER HEAD	x 1	26	SIDE RAIL DRAWER HEAD	x 2
13	BEDSIDE TABLE - RIGHT DRAWER HEAD	x 1	27	SPRUNG SLATS	x 30
14	BEDSIDE TABLE - 3mm BACK PANEL	x 2	28	BOTTOM RAIL	x 4
			29	SIDE RAIL FALSE DRAWER	x 2

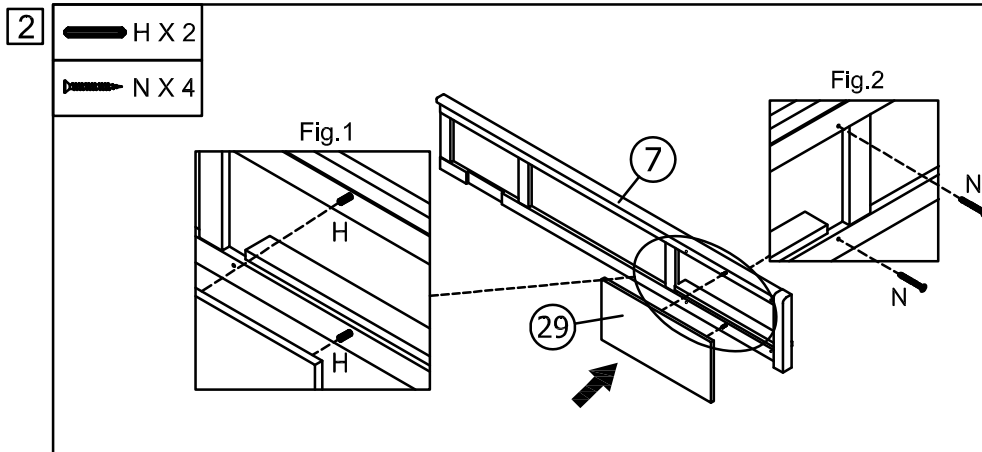
Key diagram



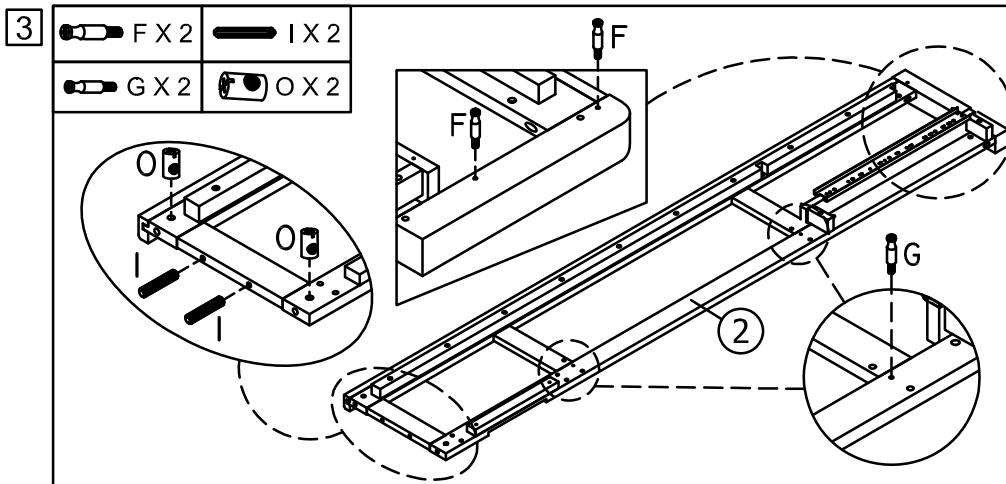
Pre-assembly Preparation



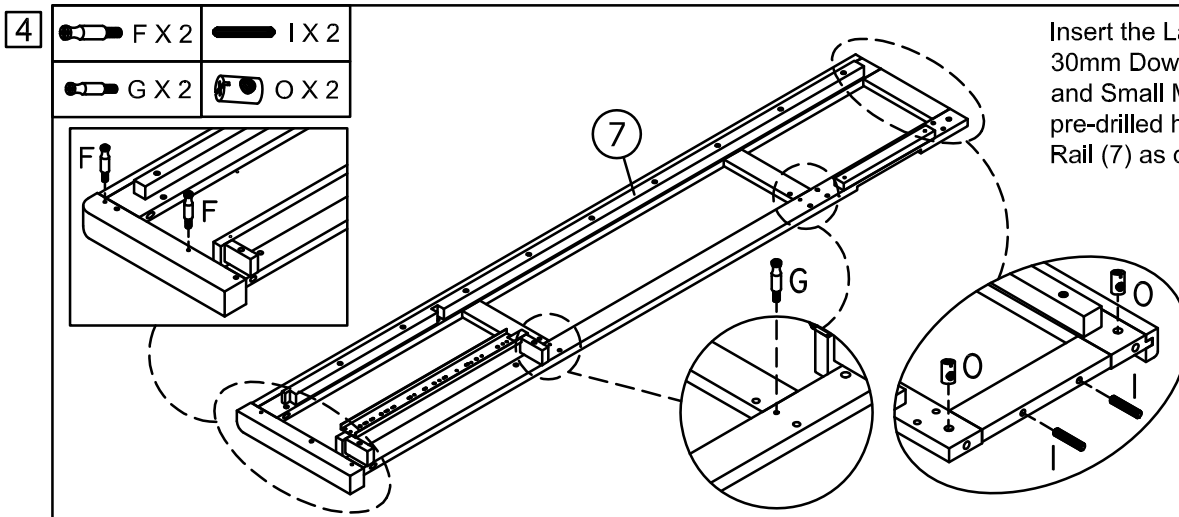
Insert the M6 x 30mm Dowels (H) into the pre-drilled holes along the Right Side Rail (2) as detailed in the diagram. Attach the Side Rail False Drawer (29) to the Right Side Rail (2) and secure in place using M4 x 25mm Screw (N) as shown in Fig.2.



Insert the M6 x 30mm Dowels (H) into the pre-drilled holes along the Left Side Rail (7) as detailed in the diagram. Attach the Side Rail False Drawer (29) to the Left Side Rail (7) and secure in place using M4 x 25mm Screw (N) as shown in Fig.2.



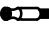



Insert the Large Minifix (F), M8 x 30mm Dowels (I), Barrel Nuts (O) and Small Minifix (G) into the pre-drilled holes on the Right Side Rail (2) as detailed in the diagram.

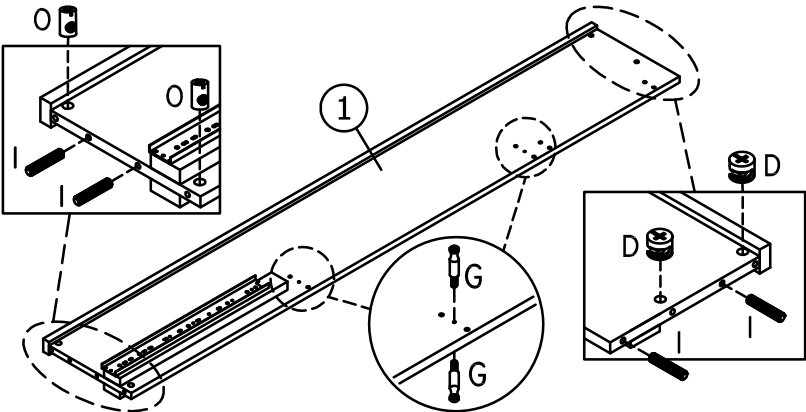


Insert the Large Minifix (F), M8 x 30mm Dowels (I), Barrel Nuts (O) and Small Minifix (G) into the pre-drilled holes on the Left Side Rail (7) as detailed in the diagram.

Pre-assembly Preparation

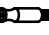


5

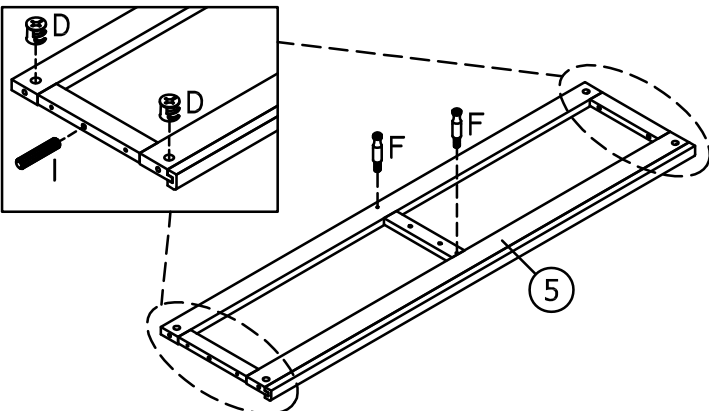
	G X 4
	O X 2
	I X 4
	D X 2



Insert the M8 x 30mm Dowels (I), Large Camfix (D), Small Minifix (G) and Barrel Nuts (O) into the pre-drilled holes on the Centre Frame (1) as detailed in the diagram.



6

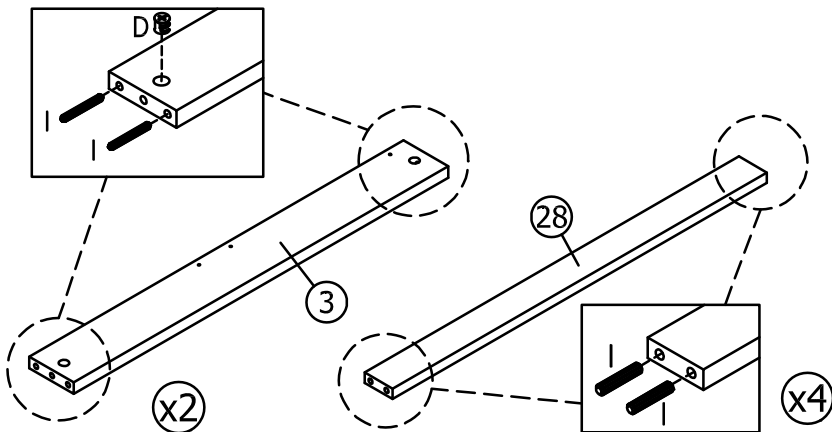
	F X 2
	I X 2
	D X 4



Insert the Dowels (I) and Large Camfix (D) into the pre-drilled holes at each end of the Footboard Frame (5). Next insert the Large Minifix (F) into the pre-drilled holes along the Footboard Frame (5) as shown in the diagram.



7

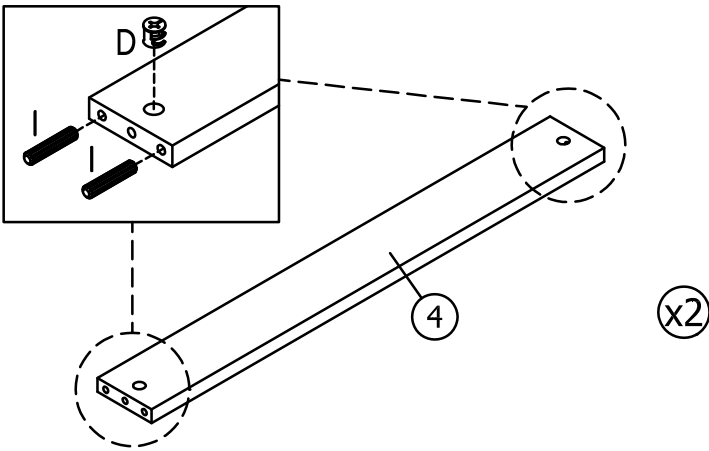
	D X 4
	I X 24



Start by inserting the Dowels (I) and Large Camfix (D) into the pre-drilled holes on each side of the Drawer Slide Support Rail 1 (3). Next insert the Dowels (I) into the pre-drilled holes on each end of the Bottom Rail (28). Repeat this process for both Drawer Slide Support Rail 1 (3) and Bottom Rails (28).

8

	D X 4
	I X 8



Insert the Large Camfix (D) and Dowels (I) into the pre-drilled holes at either end of the Drawer Slide Support Rail 2 (4) as shown in the diagram. Repeat this step for both Drawer Slide Support Rail (4).

Pre-assembly Preparation

Bedside Drawers

<p>D X 4</p> <p>I X 8</p> <p>x2</p>		<p>Insert the Dowels (I) and Large Camfix (D) into the holes on the Bedside Table - Left Panel (10) and Bedside Table - Right Panel (11).</p>	<p>F X 8</p> <p>x2</p>		<p>Insert the Large Minifix (F) into the pre-drilled holes on the Bedside Table - Right Drawer Head (13) and Bedside Table - Left Drawer Head (12) as shown in the diagram.</p>
<p>D X 4</p> <p>I X 4</p> <p>F X 4</p> <p>x2</p>		<p>Insert the Large Camfix (D), Large Minifix (F) and Dowels (I) into the holes on Bedside Table Top Panel - Left Side (8) and Bedside Table Top Panel - Right Side (9).</p>	<p>D X 4</p> <p>I X 4</p> <p>x2</p>		<p>Insert the Large Camfix (D) and Dowels (I) into the holes on Bedside Table - Bottom Left Panel (15) and Bedside Table - Bottom Right Panel (16) as shown in the diagram.</p>

Footboard Drawers

<p>H X 8</p> <p>x2</p>		<p>E X 4</p> <p>x2</p>		<p>Insert the Small Camfix (E) into the holes at the end of both Footboard Left Drawer Panels (18).</p>
<p>E X 4</p> <p>x2</p>		<p>F X 8</p> <p>x2</p>		<p>Insert the Large Minifix (F) into both Footboard Drawer Heads (21).</p>

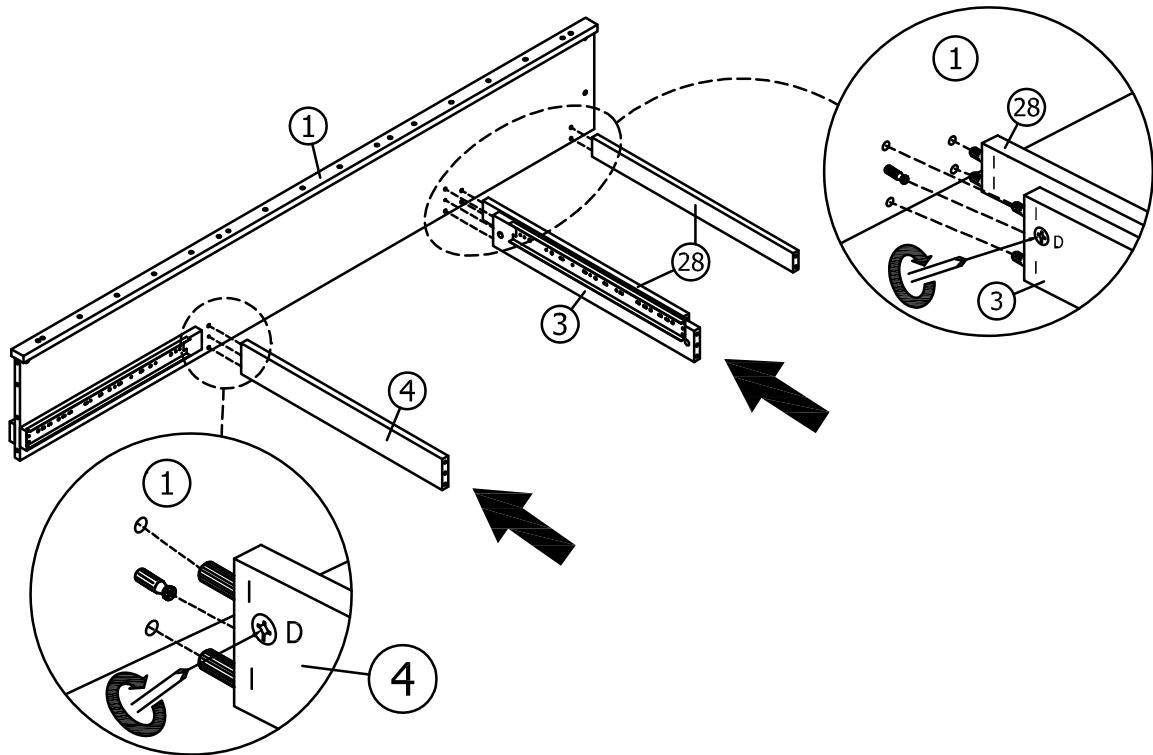
Side Rail Drawers

<p>H X 8</p> <p>x2</p>		<p>E X 4</p> <p>x2</p>		<p>Insert the Small Camfix (E) into the pre-drilled holes on both Side Rail Right Drawer Panels (24).</p>
<p>E X 4</p> <p>x2</p>		<p>F X 8</p> <p>x2</p>		<p>Insert the Large Minifix (F) into the pre-drilled holes on each end of both Side Rail Drawer Heads.</p>

Step by step assembly instructions

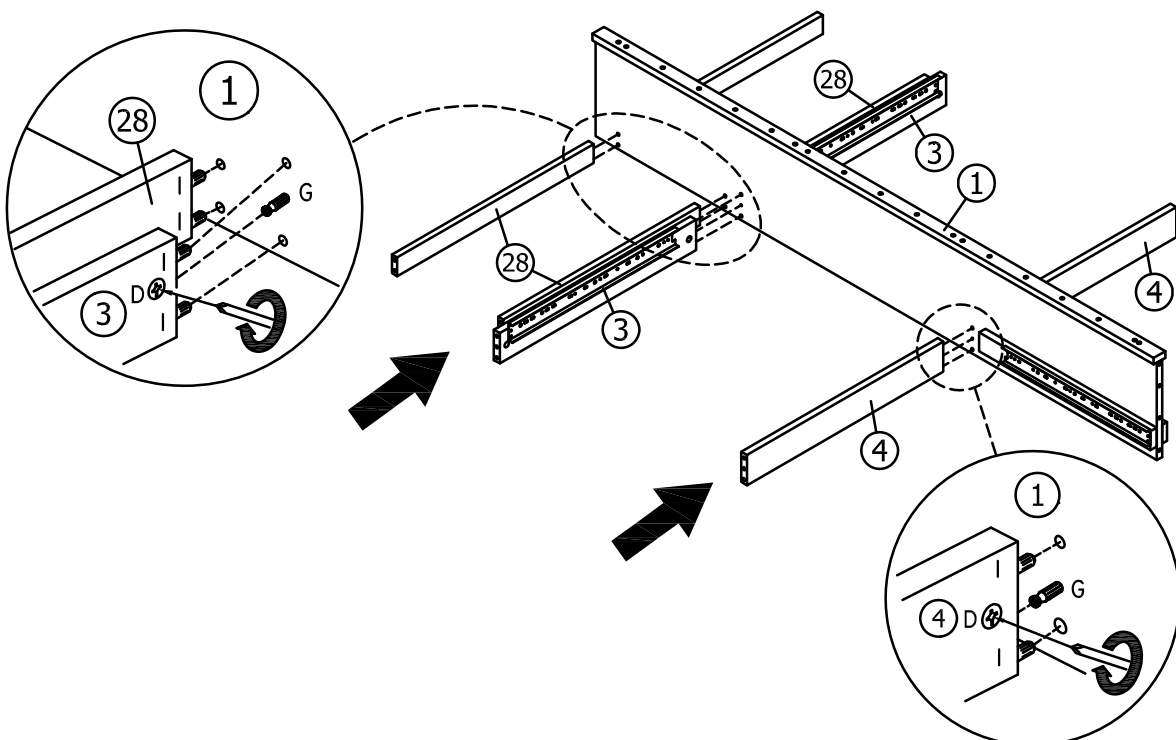
Step One

Attach the Drawer Slide Support Rail 1 (3) and Drawer Slide Support Rail 2 (4) to the Centre Frame (1), securing in place by using a screwdriver to tighten the Large Camfix (D) as shown in the diagram. Next attach the Bottom Rails (28) to the Centre Frame (1) by pushing the pre-attached Dowels (I) into the pre-drilled holes as detailed below.



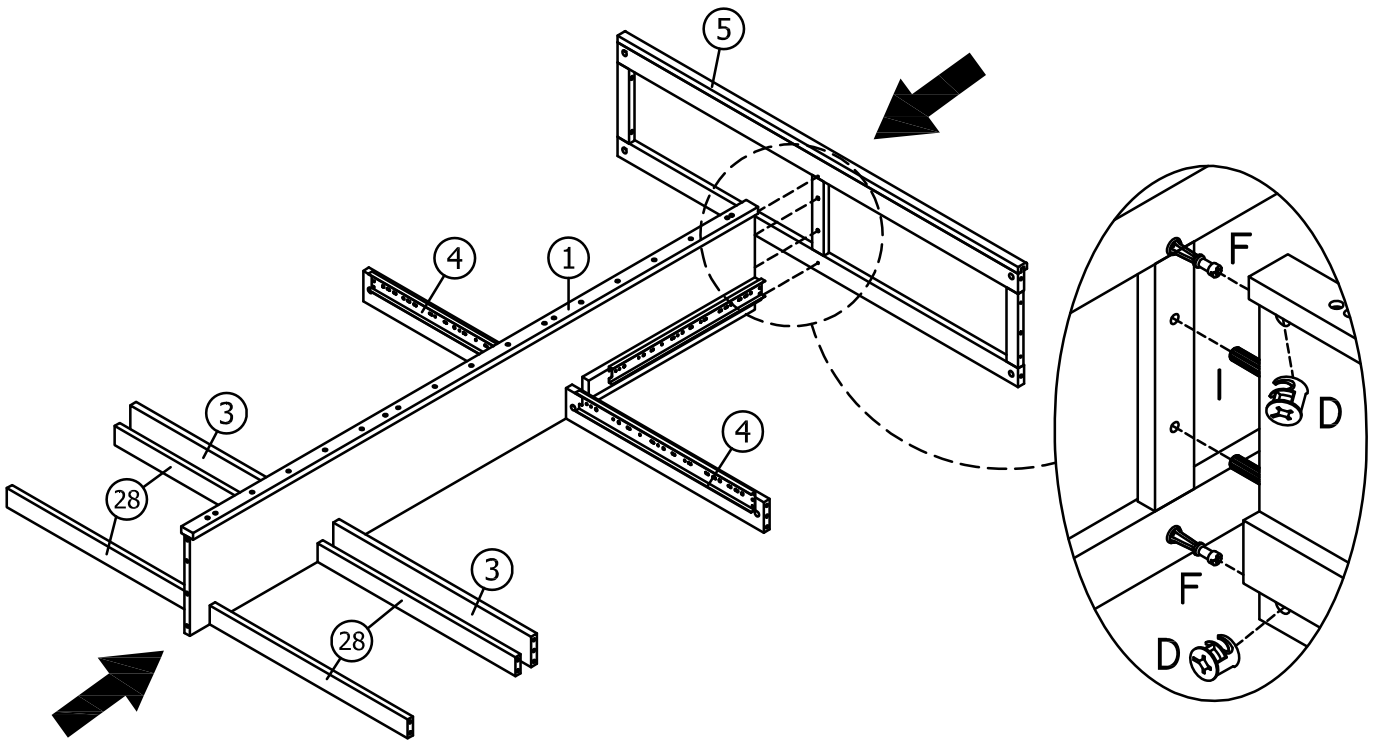
Step Two

Now on the opposite side of the Centre Frame (1) attach the Drawer Slide Support Rail 1 (3) and Drawer Slide Support Rail 2 (4) to the Centre Frame (1), securing in place by using the screwdriver to tighten the Large Camfix (D) as shown in the diagram. Next attach the Bottom Rails (28) to the Centre Frame (1) by pushing the pre-attached Dowels (I) into the pre-drilled holes as detailed below.



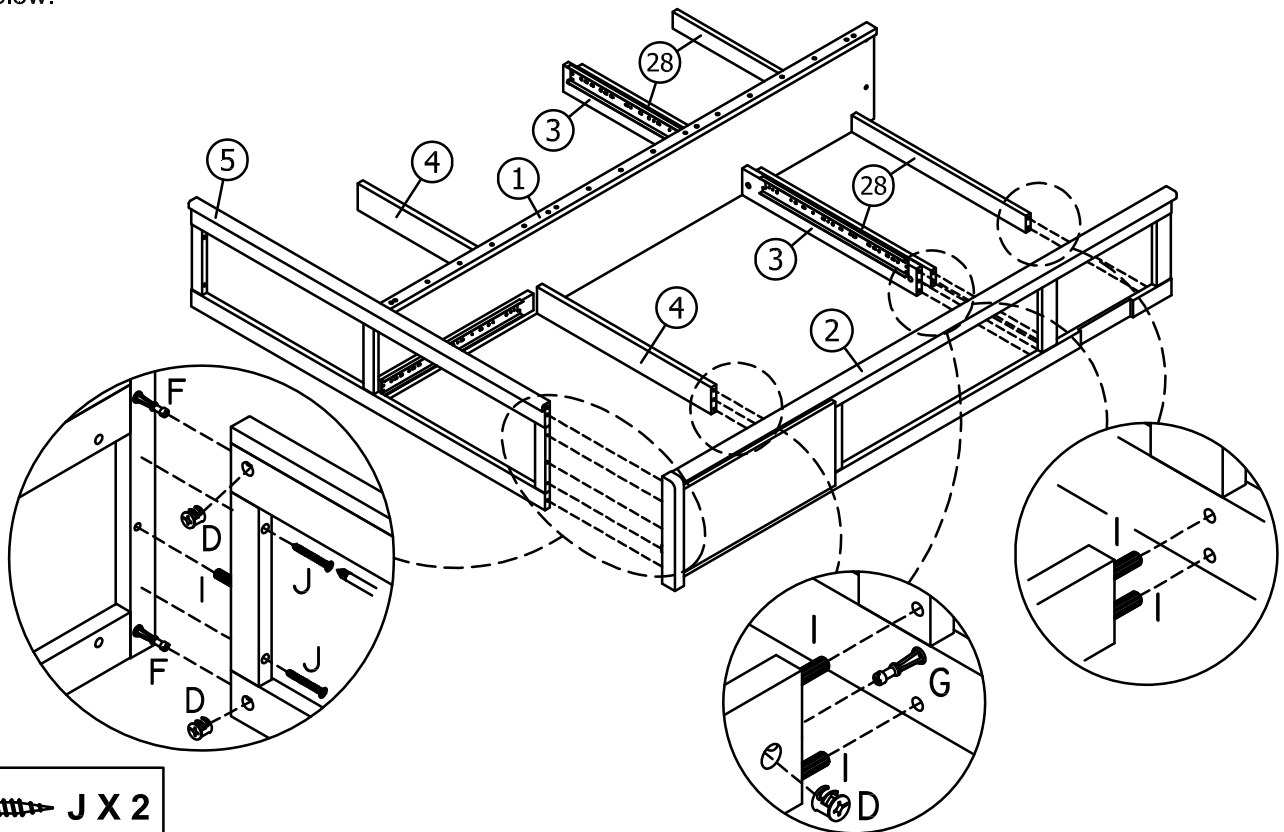
Step Three

Attach the Footboard Frame (5) to the Centre Frame (1) by pushing the Footboard Frame (5) with the pre-inserted Dowels (I) into the pre-drilled holes on the Centre Frame (1) and securing by using a screwdriver to tighten the Large Camfix (D) as shown in the diagram below.



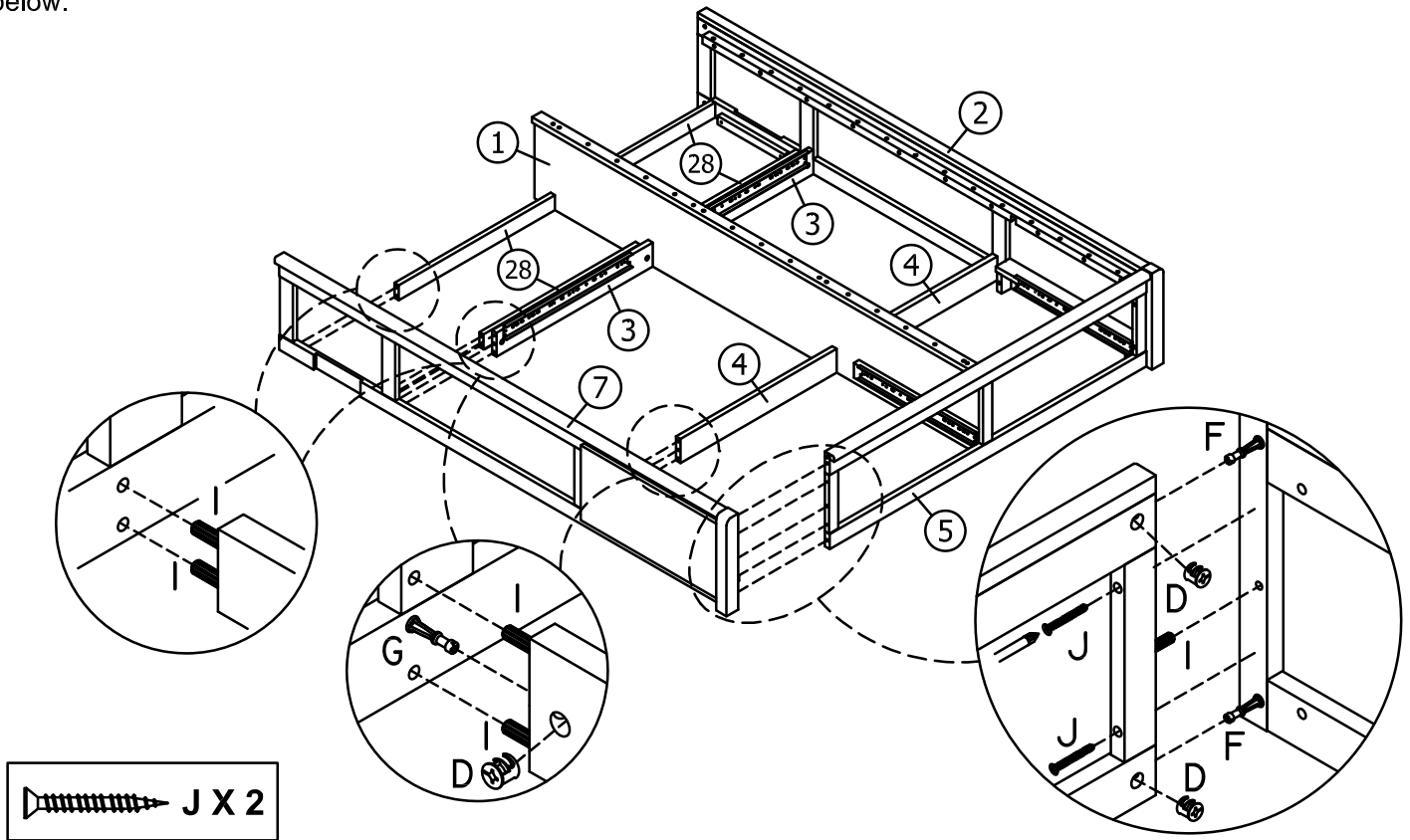
Step Four

Attach the Right Side Rail (2) to the Footboard Frame (5) using M4 x 50mm screw (J) and tightening the Large Camfix (D) as shown in the diagram below. Start by securing the Drawer Slide Support Rail 1 (3) and Drawer Slide Support Rail 2 (4) to the Right Side Rail (2) by tightening the Large Camfix (D) as shown in the diagram below. Next attach the Bottom Rail (28) to the Right Side Rail (2) by pushing the pre-inserted Dowels (I) into the pre-drilled holes on the Right Side Rail (2) as detailed below.



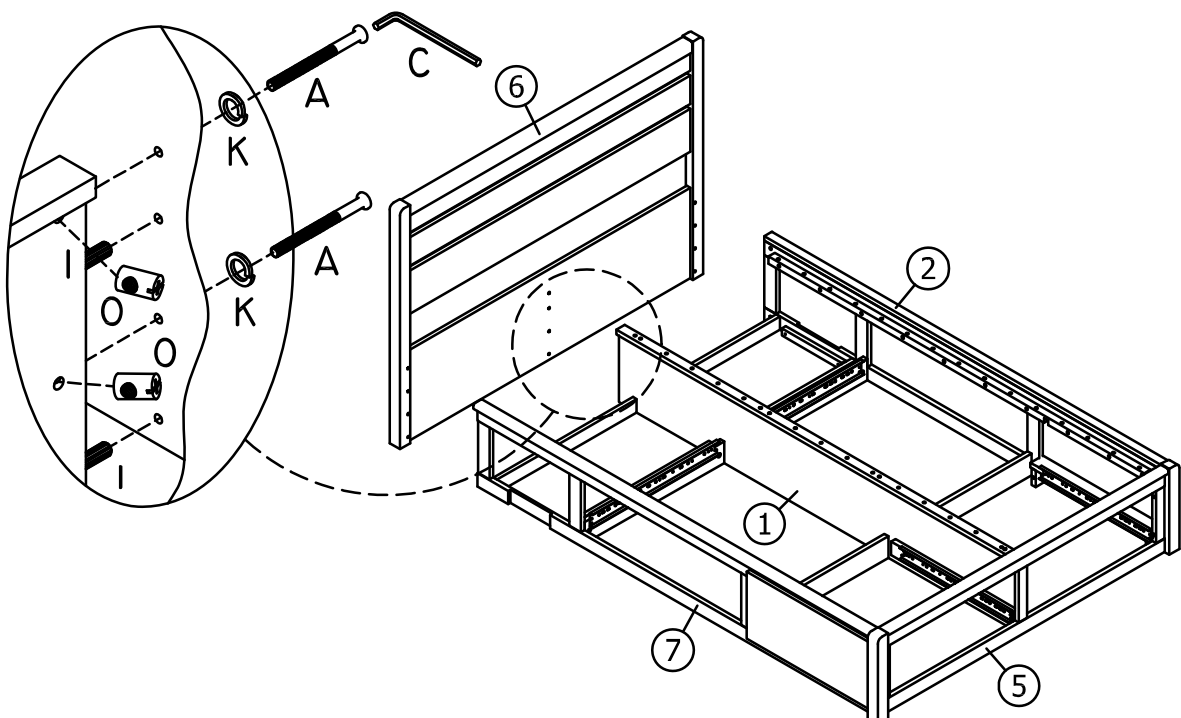
Step Five

Attach the Left Side Rail (7) to the Footboard Frame (5) using M4 x 50mm screw (J) and tightening the Large Camfix (D) as shown in the diagram below. Secure the Drawer Slide Support Rail 1 (3) and Drawer Slide Support Rail 2 (4) to the Left Side Rail (7) by tightening the Large Camfix (D) as shown in the diagram below. Next attach the Bottom Rail (28) to the Left Side Rail (7) by pushing the pre-inserted Dowels (I) into the pre-drilled holes on the Left Side Rail (7) as detailed below.



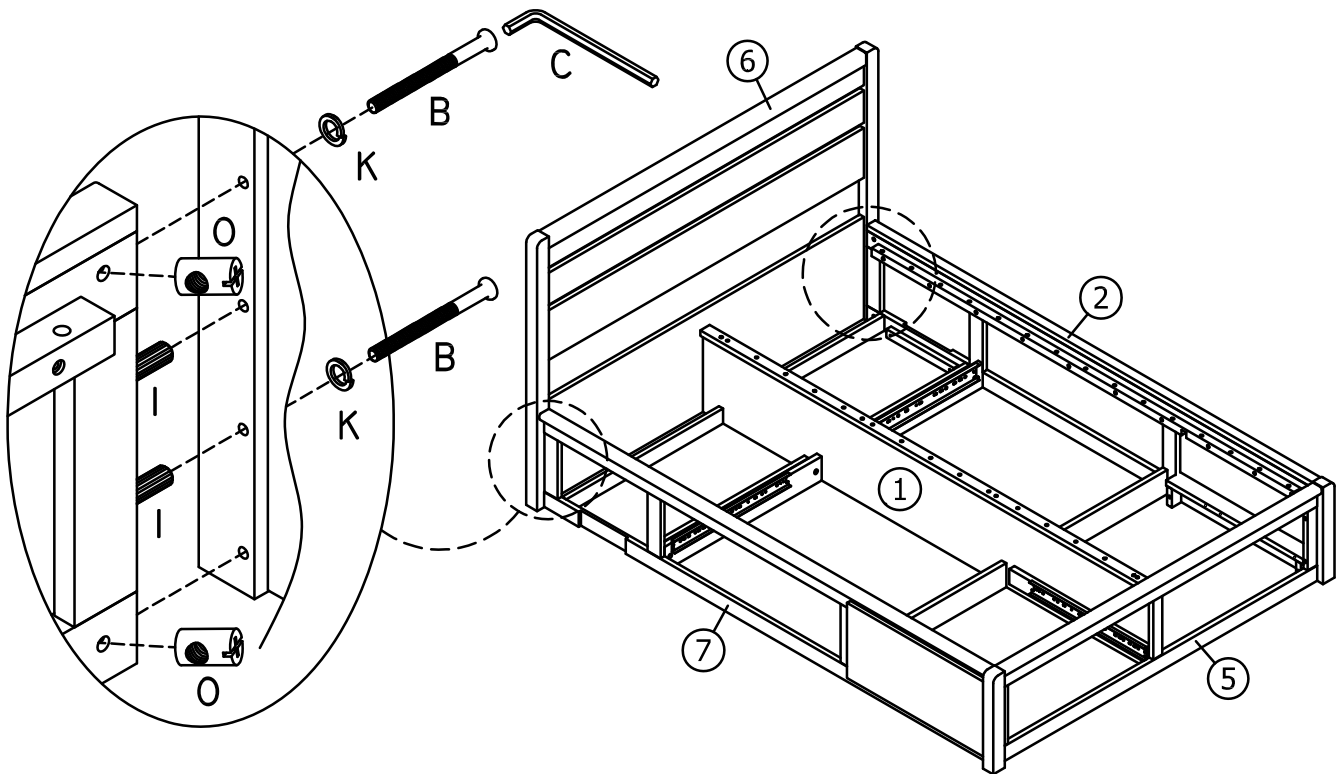
Step Six

Attach the Headboard (6) to the Centre Frame (1) by pushing the Headboard (6) with the pre-inserted Dowels (I) into the pre-drilled holes on the Centre Frame (1) and securing by using a screwdriver to tighten the Barrel Nuts (O) as shown in the diagram below. Next insert the Bolt M6 x 60mm (A) and Spring Washer (K) into the pre-drilled holes at the back of Headboard (6) and using Allen Key M4 (C) to tighten the Bolt M6 x 60mm (A) as shown in the diagram below.



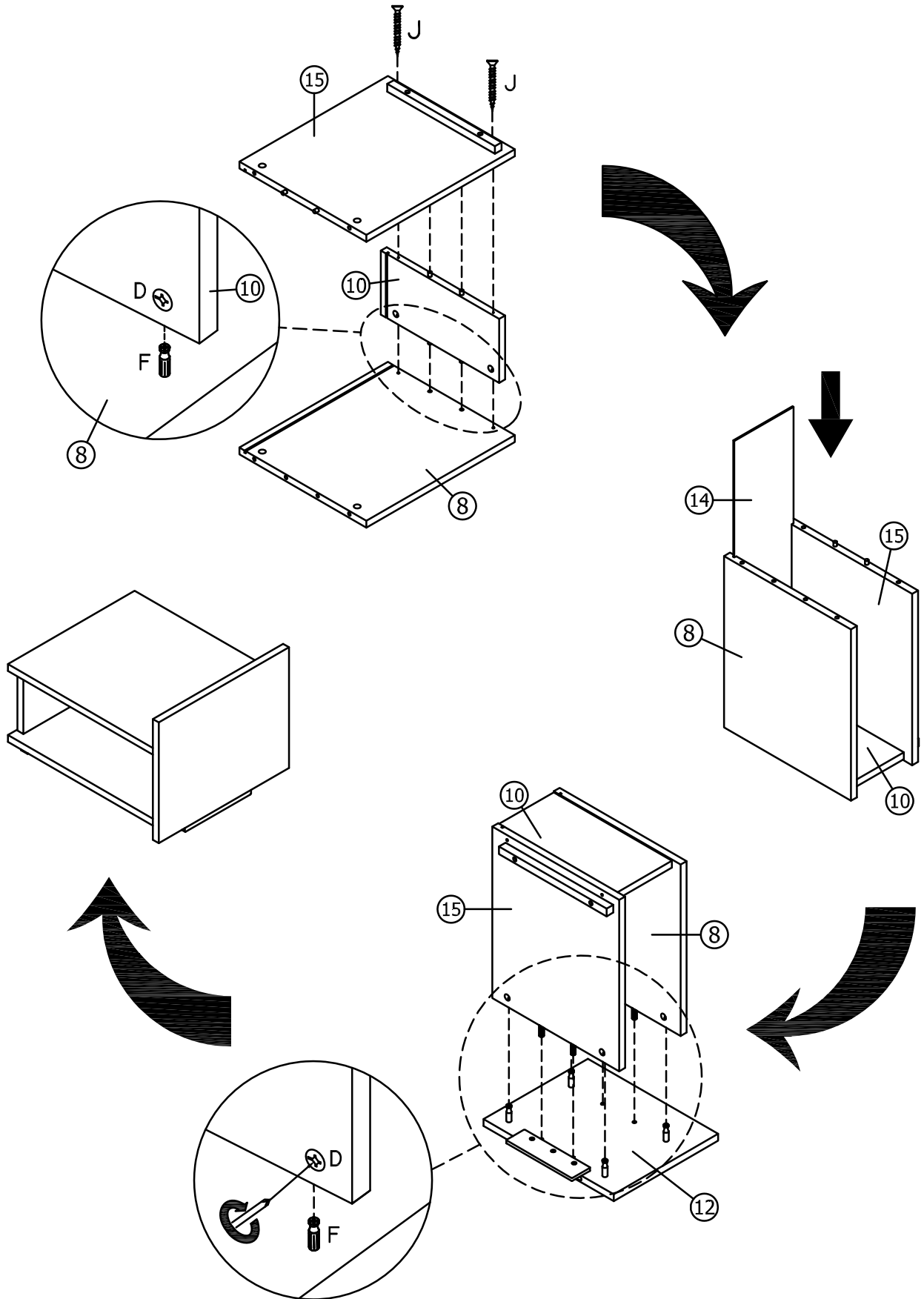
Step Seven

Attach the Headboard (6) to the Side Rails (2) & (7) by pushing the Headboard (6) with the pre-inserted Dowels (I) into the pre-drilled holes on the Side Rails (2) & (7) and securing by using a screwdriver to tighten the Barrel Nuts (O) as shown in the diagram below. Next insert the Bolt M6 x 90mm (B) and Spring Washer (K) into the pre-drilled holes at the back of Headboard (6) and using Allen Key M4 (C) to tighten the Bolt M6 x 70mm (B) as shown in the diagram below.



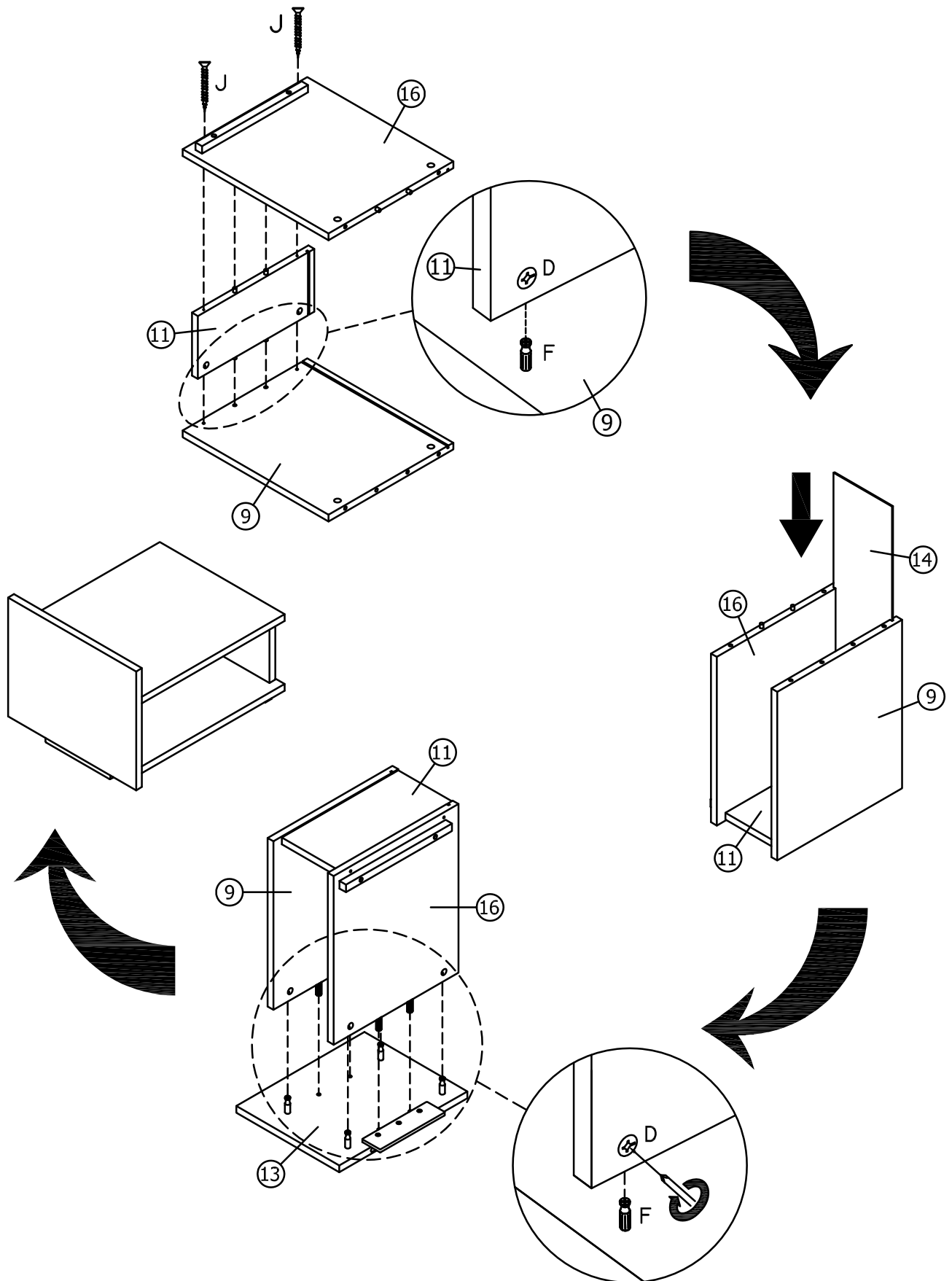
Step Eight

Attach the Bedside Table - Bottom Left Panel (15) to the Bedside Table - Left Panel (10) and Bedside Table Top Panel - Left Side (8) using M4 x 50mm Screws (J) as shown in the diagram below. Next slide the Bedside Table - 3mm Back Panel (14) into place, as detailed in the diagram. Finally attach the Bedside Table - Left Drawer Head (12) securing into place by tightening the Large Camfix (D).



Step Nine

Attach the Bedside Table - Bottom Right Panel (16) to the Bedside Table - Right Panel (11) and Bedside Table Top Panel - Right Side (9) using M4 x 50mm Screws (J) as shown in the diagram below. Next slide the Bedside Table - 3mm Back Panel (14) into place, as detailed in the diagram. Finally attach the Bedside Table - Right Drawer Head (13) securing into place by tightening the Large Camfix (D).

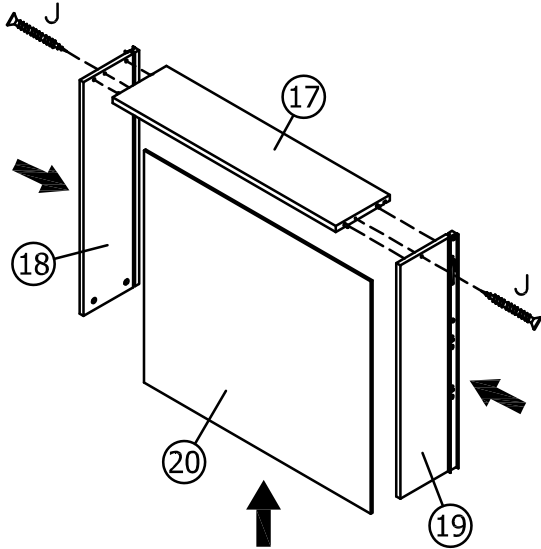


Step Ten



FOOTBOARD DRAWER

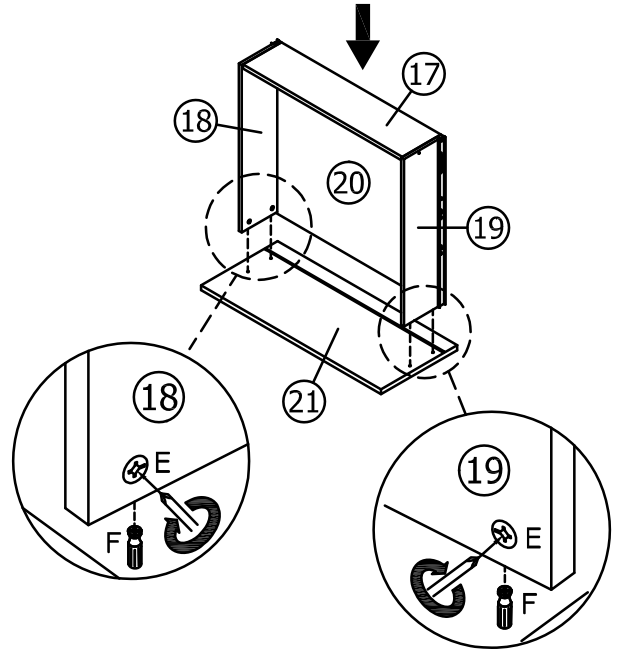
Attach the Footboard Left Drawer Panel (18) to the Footboard Right Drawer Panel (19) and Footboard Drawer Back (17) using M4 x 50mm Screws (J) as detailed below. Next slide the Footboard Drawer Base (20) into place.



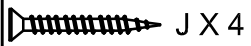
Step Eleven

FOOTBOARD DRAWER

Attach the Footboard Drawer Head (21) and secure into place by tightening the Small Camfix (E) with a screwdriver as shown in diagram below.

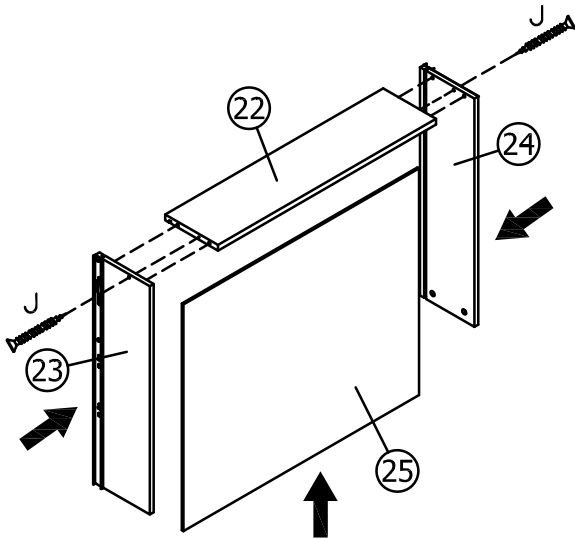


Step Twelve



SIDE RAIL DRAWER

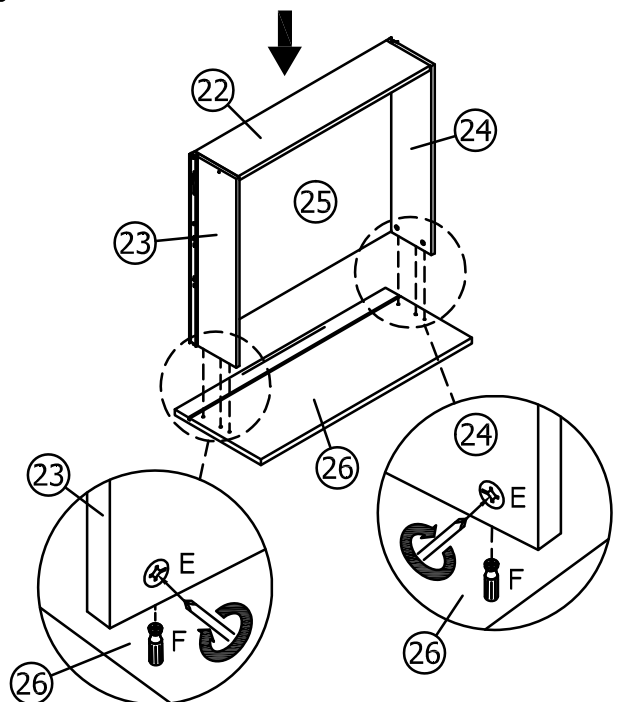
Attach the Side Rail Left Drawer Panel (23) to the Side Rail Right Drawer Panel (24) and Side Rail Drawer Back (22) Using M4 x 50mm Screws (J) as detailed below. Next slide the Side Rail Drawer Base (25) into place.



Step thirteen

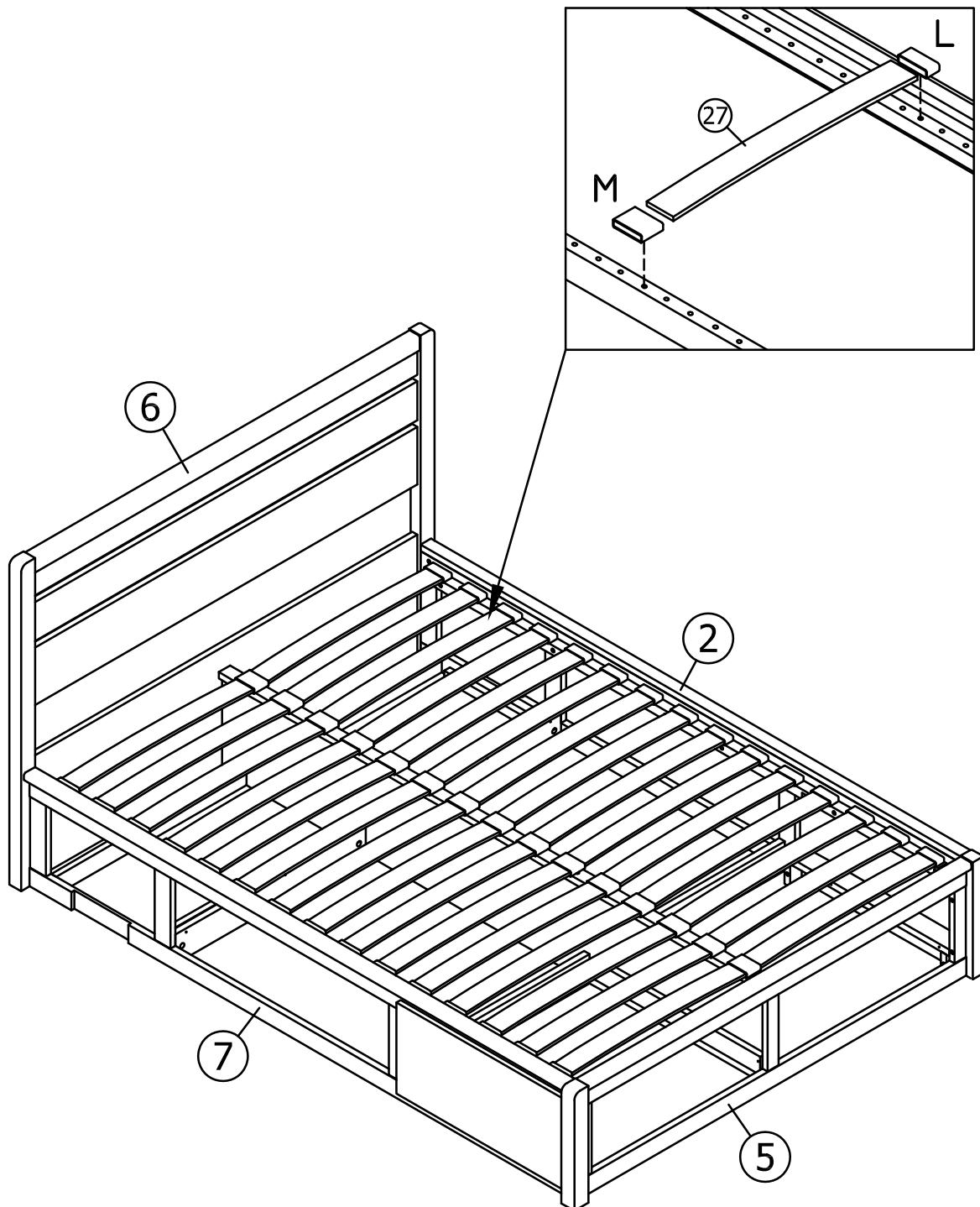
SIDE RAIL DRAWER

Attach the Side Rail Drawer Head (26) and secure into place by tightening the Small Camfix (D) with a screwdriver as shown in diagram below.



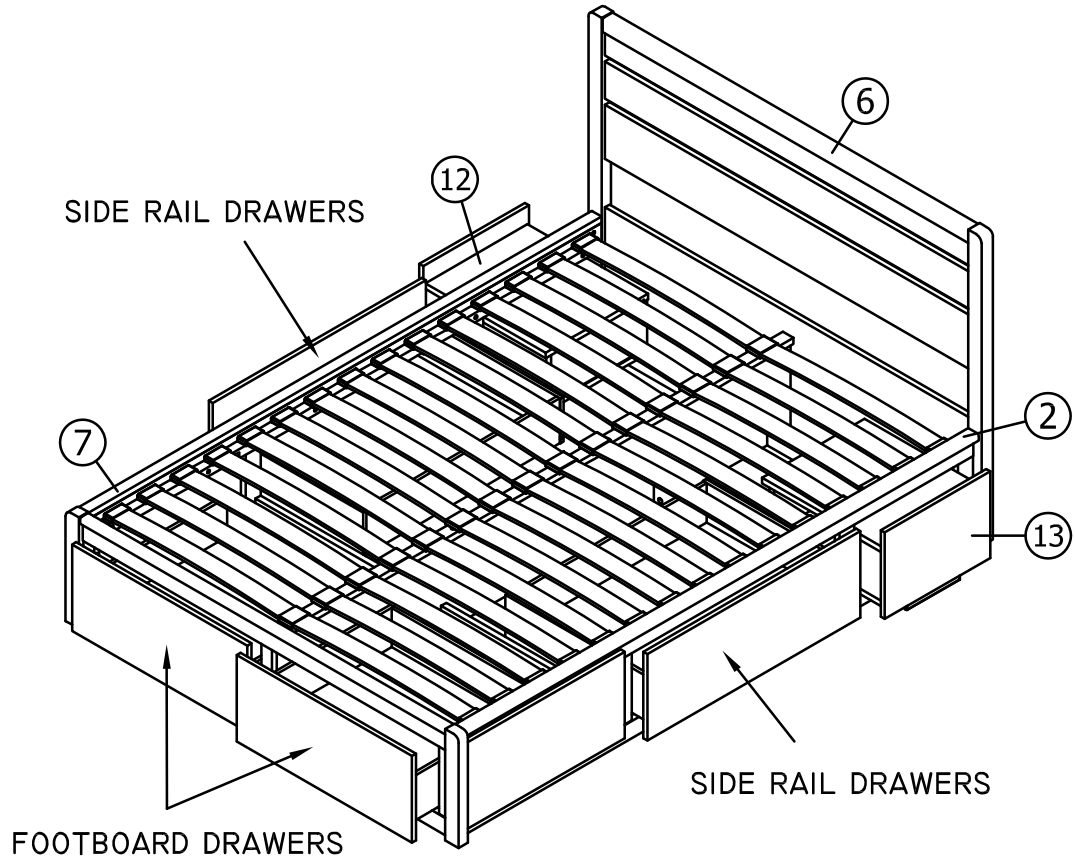
Step Fourteen

Take a Sprung Slat (27), ensuring it has the curved side facing up, and insert into a Centre Cap (M). Place an End Cap (L) onto the other end of the slat and push down fully into the pre-drilled holes along the side rail. Repeat this process to attach all 30 Slats.

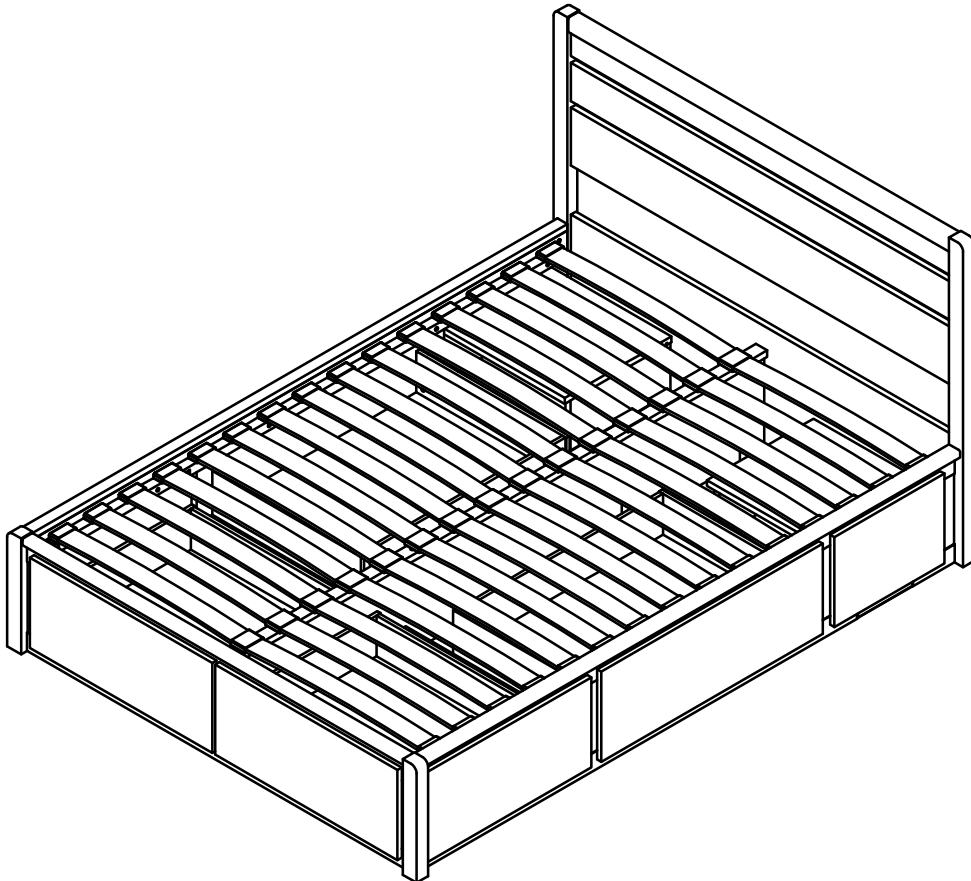


Step Fifteen

Finally put the Drawers and Bedside Table into place as shown in the diagram below.



Bed is now ready to use.



Care and Maintenance

Wood Furniture

Wood displays different grain patterns depending on which way they cut - for example, the 'medullary ray' which can appear on oak furniture is a mark of good quality timber - these are just characteristics of the natural beauty of the wood. Some furniture is also deliberately aged and rustic.

Wood veneers also allow distinctive patterns to be created on flat surfaces, such as table tops and drawer fronts by the way the slivers are arranged.

All timber surfaces will change colour and mellow over time. New furniture will initially vary in shade from items that have been previously purchased.

How to care for your wood furniture

Furniture with a hard lacquer, wax polish or painted surface should be dusted with a dry cloth.

Waxed furniture will need to be given a coat of beeswax a couple of times a year to help maintain its luster.

Spray polishes are best avoided as they contain silicones which may spoil the furniture's surface by building up over time.

Our furniture will endure most temperatures in the home but it is best to avoid placing furniture next to heat sources such as radiators or fires. Be particularly careful with solid wood as the lack of humidity caused by central heating can cause damage such as warping.

Safety Instructions

Never drag furniture when moving it, always lift it.

Periodically check all fixings to ensure none have come loose and re-tighten where necessary.

Please take care when handling or moving the furniture as careless handling may cause damage or injury. Furniture can be dangerous if incorrectly installed. Assembly should be carried out by a competent adult. No liability will be accepted for damage or injury caused by incorrectly installed or assembled furniture. During assembly children should be kept away from the product due to possible risk of injury. Do not use this item if any components are missing or damaged.

It is recommended that before moving heavy objects to a new location they are completely dis-assembled to avoid personal injury or damage to the furniture. Please be careful to retain all fittings when doing this.

This product complies with BS EN 1725 : 1998.