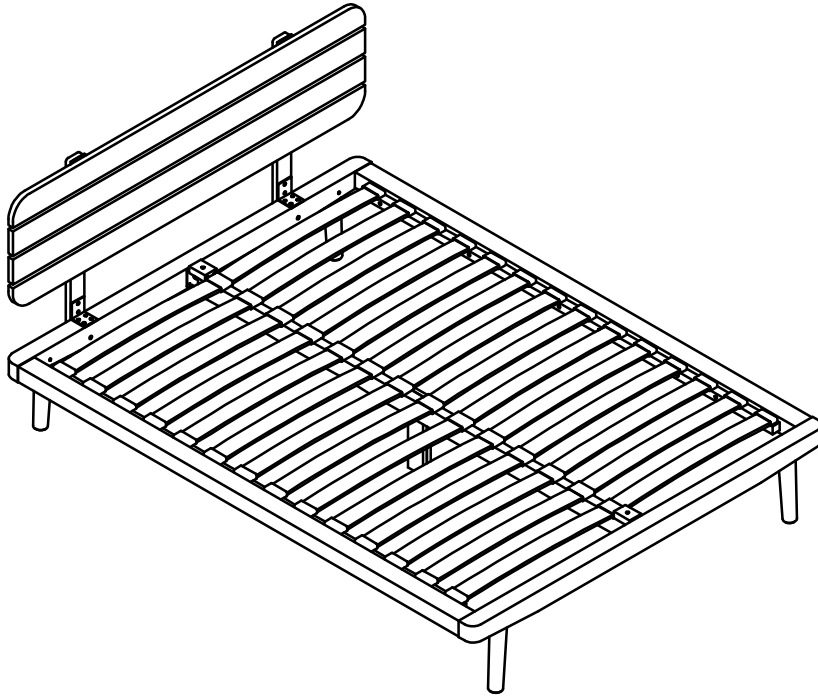


Boston Flexi-Slat Bed Frame



Pre-assembly preparation

Please ensure instructions are read in full before attempting to assemble this product.

Necessary Tools



Please check the pack contents before attempting to assemble this product. A full checklist of components is given in this leaflet. If any components are missing, please contact the John Lewis helpline.














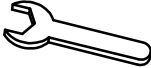





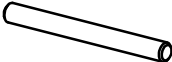


This product is **HEAVY**. It should be assembled as near as possible to the point of use. **TAKE CARE WHEN LIFTING** to avoid personal injury and (or) damage to the product.

This product takes approximately **60 MINUTES** to assemble with **2 PEOPLE**.

The fittings pack contains **SMALL PARTS** which should be **KEPT AWAY FROM YOUNG CHILDREN**.

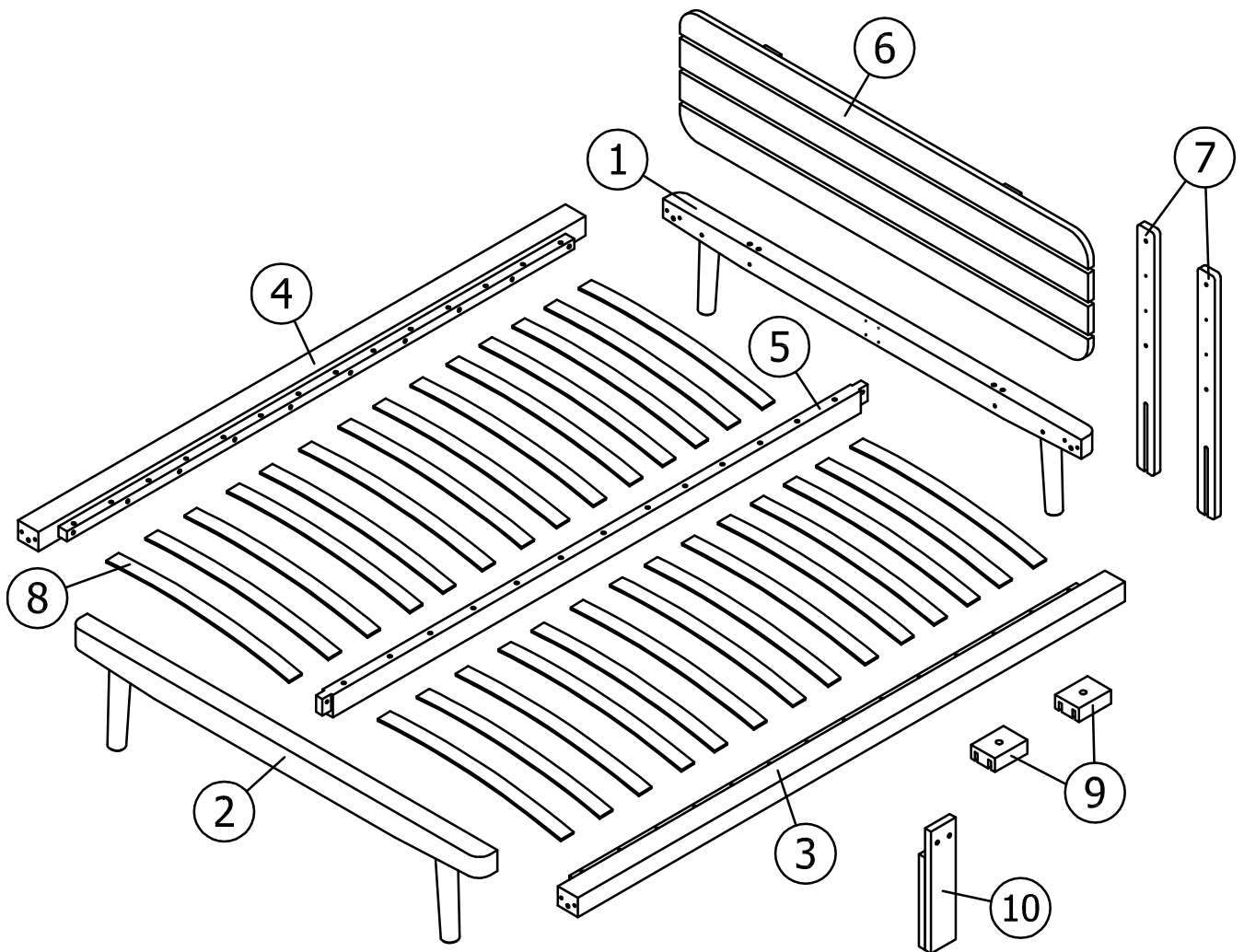
Read this leaflet in full before commencing assembly.

Fittings and parts checklist

A	ALLEN KEY M4 x 1		L		M8 HEXAGON NUT x 10
B	ALLEN KEY M5 x 1		M		3/8" X 28MM FLAT WASHER x 6
C	M3.5 x 20MM SCREW x 8		N		M6 x 40MM JCBC x 6
D	M4 x 32MM SCREW x 12		O		M8 x 80MM BOLT x 4
E	BOW BRACKET x 2		P		M8 x 40MM JCBC x 8
F	CENTRE BRACKET (ARCB) x 2		Q		M8 x 90MM JCBC x 2
G	NYLON U-WASHER x 4		R		M13 SPANNER x 1
H	WING NUT x 2		S		SLAT HOLDERS x 28
I	M6 X 18MM FLAT WASHER x 4		T		CENTRE SLAT HOLDERS x 14
J	M6 SPRING WASHER x 4		U		M7 X 75MM METAL DOWEL x 8
K	M8 SPRING WASHER x 14		V		M8 X 18MM FLAT WASHER x 4

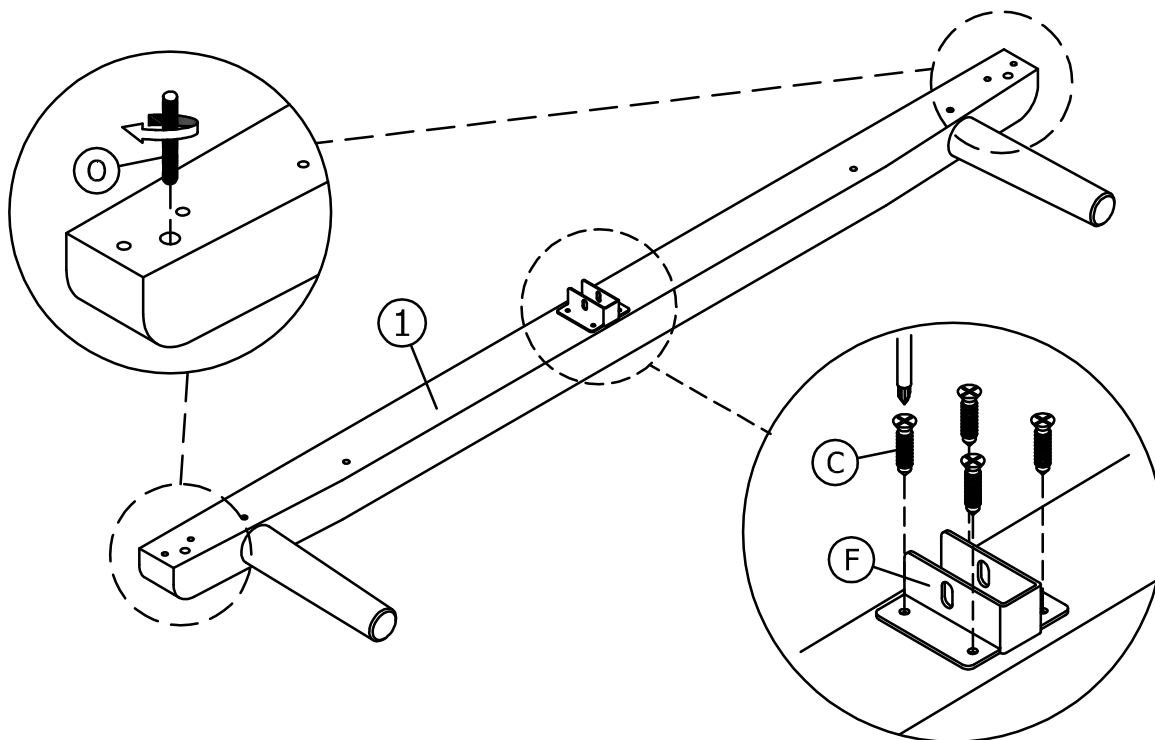
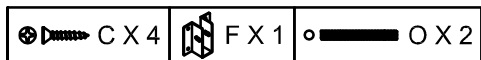
NO	DESCRIPTION	QTY
1	HEADBOARD RAIL	x 1
2	FOOTBOARD RAIL	x 1
3	SIDE RAIL RIGHT	x 1
4	SIDE RAIL LEFT	x 1
5	CENTRE RAIL	x 1
6	HEADBOARD FRAME	x 1
7	HEADBOARD VERTICAL RAIL	x 2
8	BENDWOOD SLAT	x 28
9	CENTRE RAIL SMALL BLOCK	x 2
10	LEG SUPPORT	x 1

Key diagram

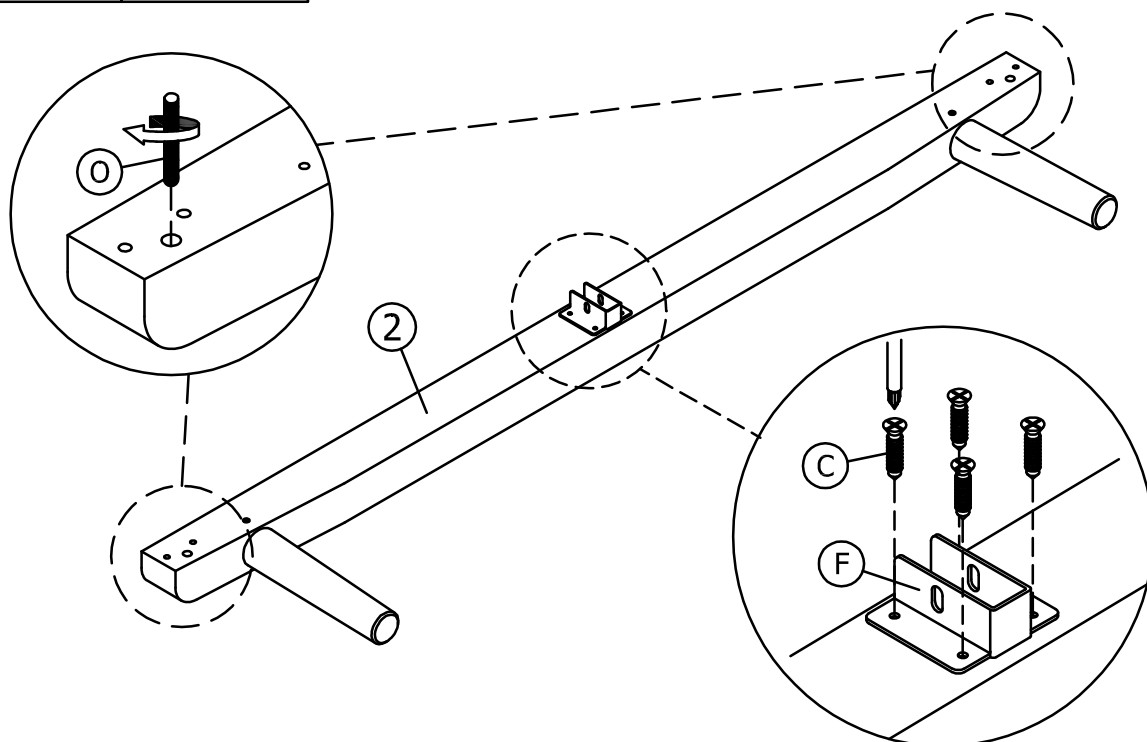
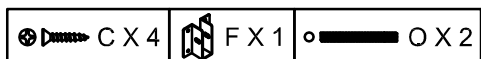


Step by step assembly instructions

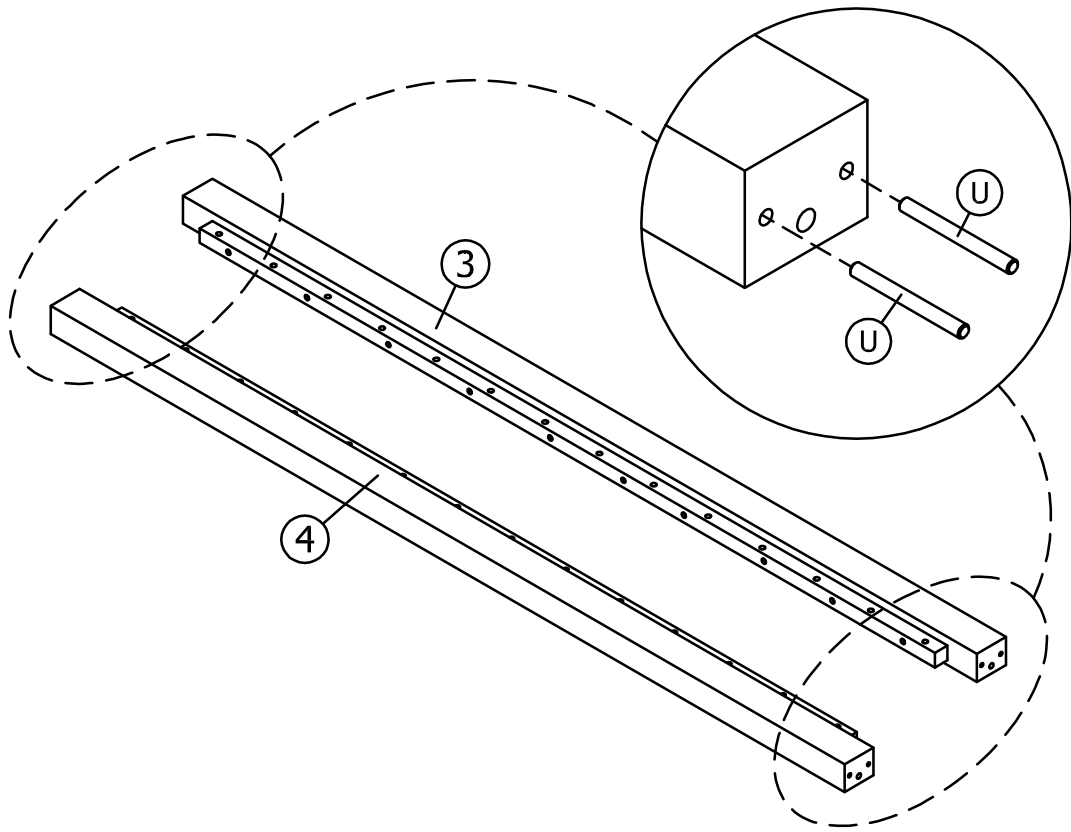
Step 1



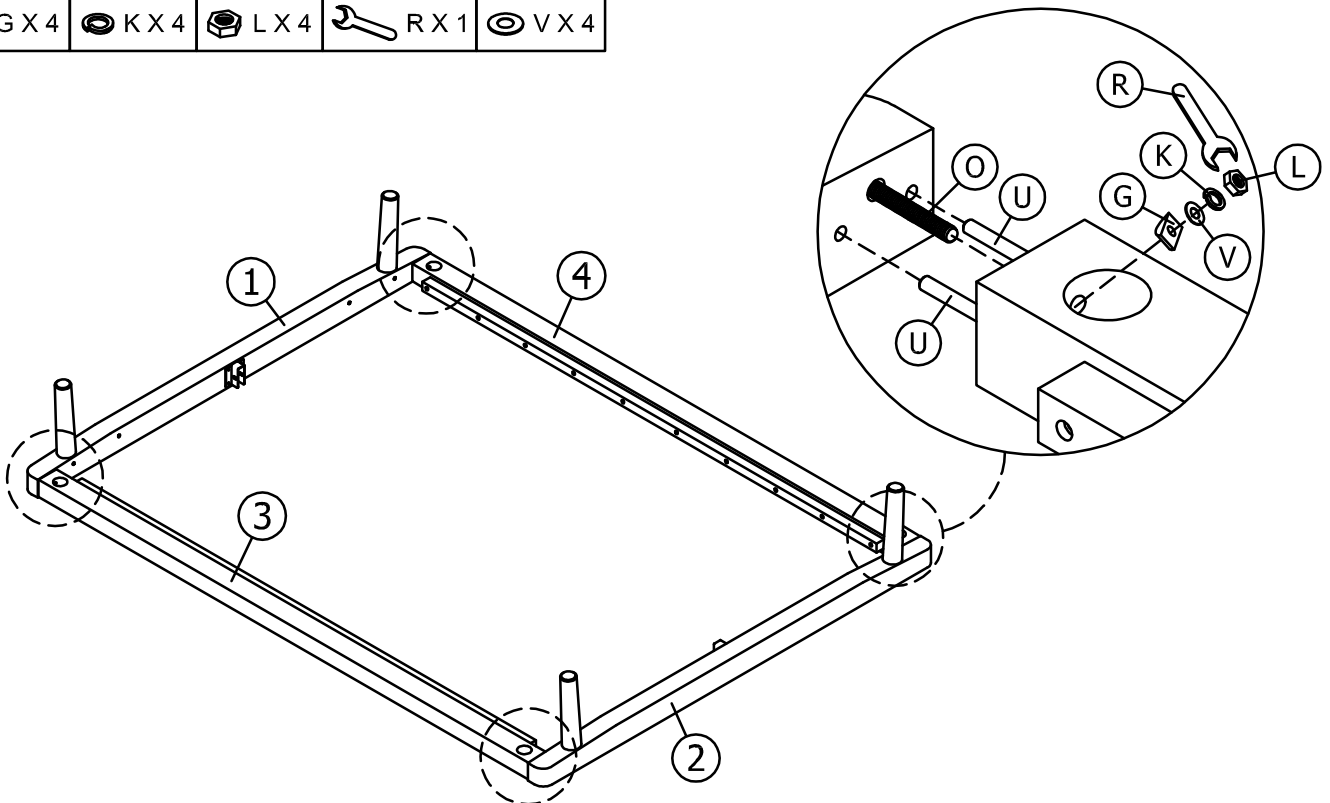
Step 2



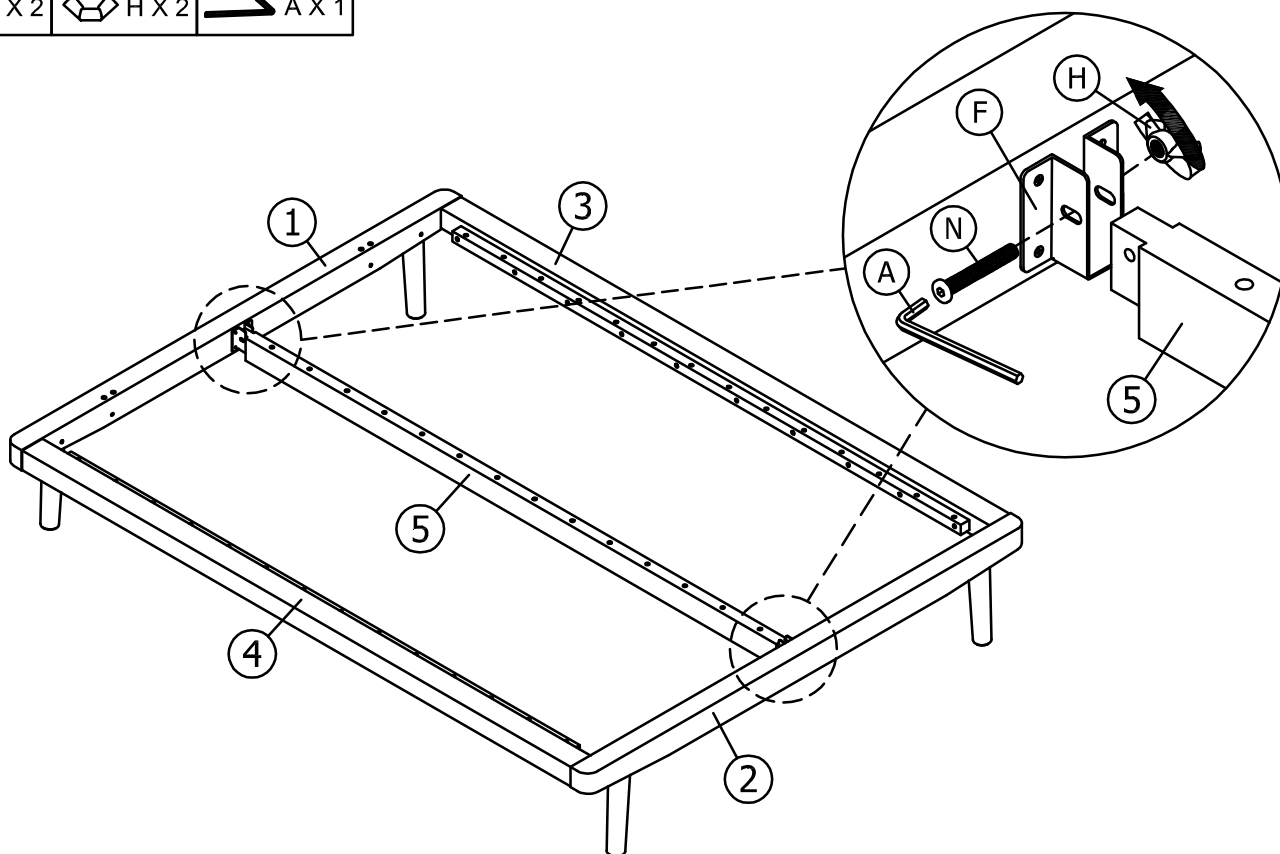
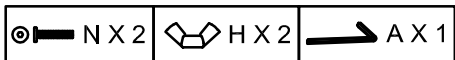
Step 3



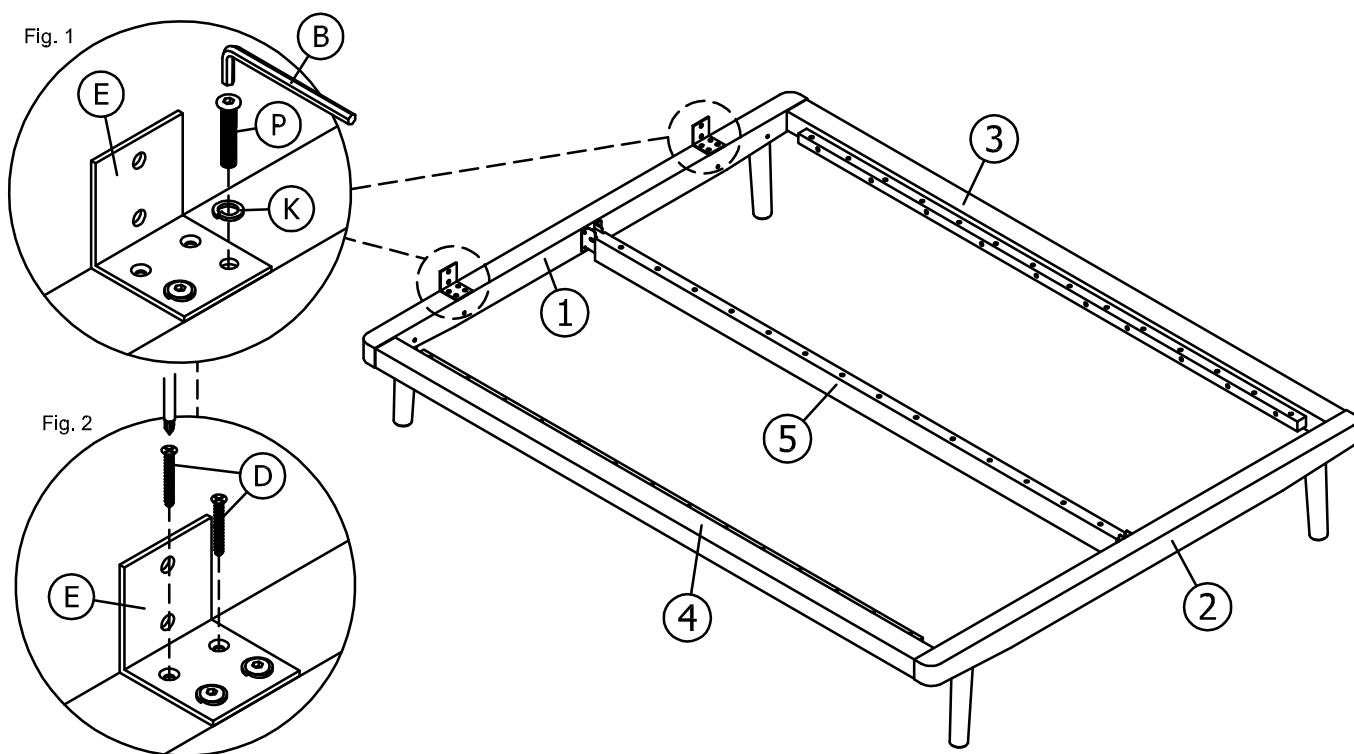
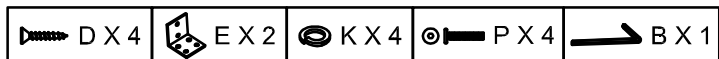
Step 4



Step 5

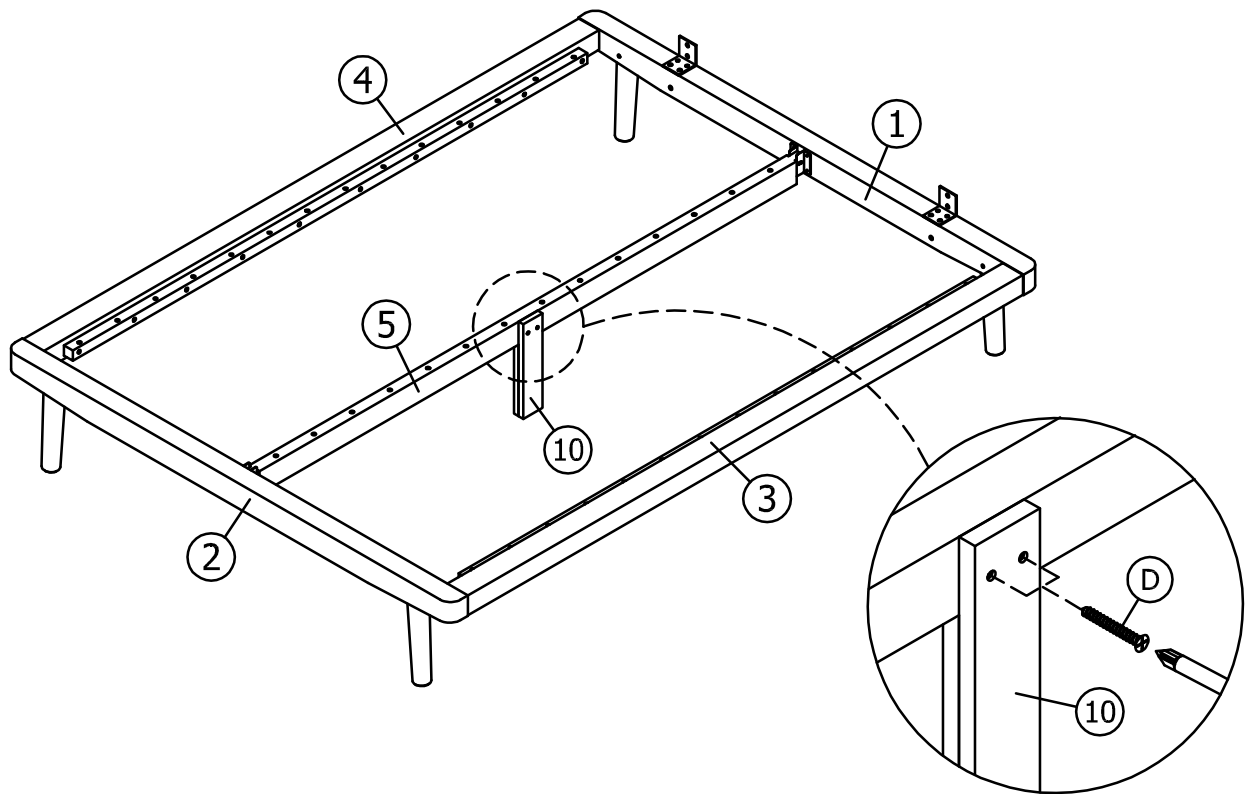


Step 6








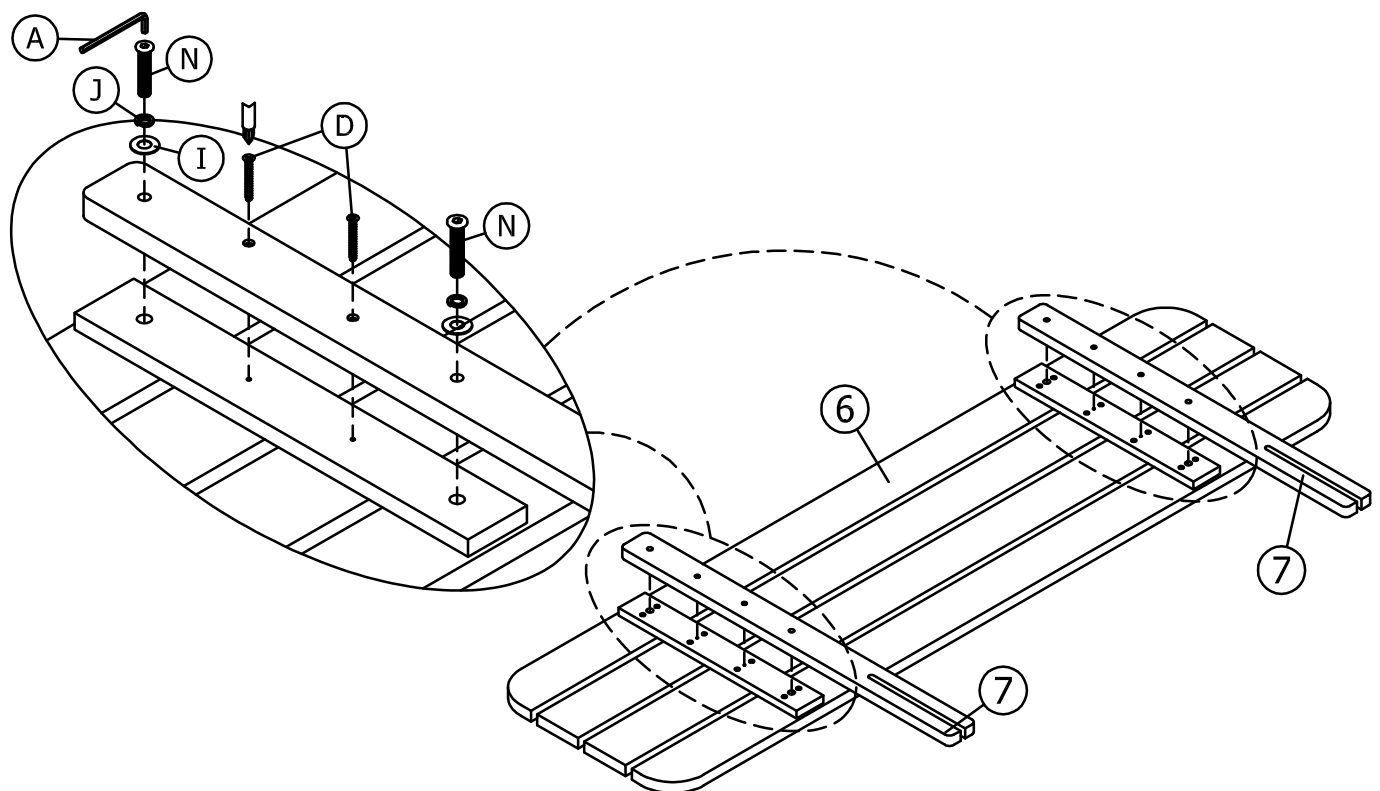
Step 7

 DX 2

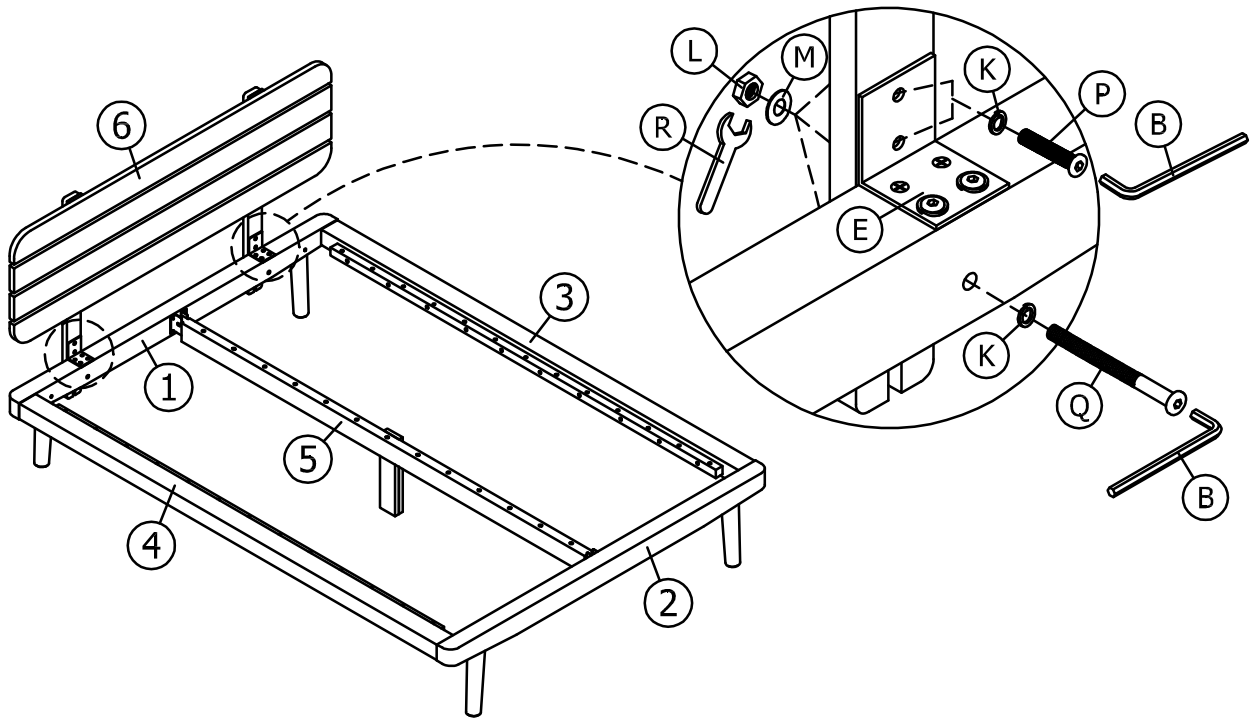
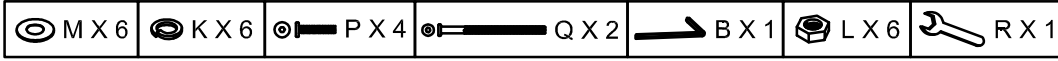


Step 8

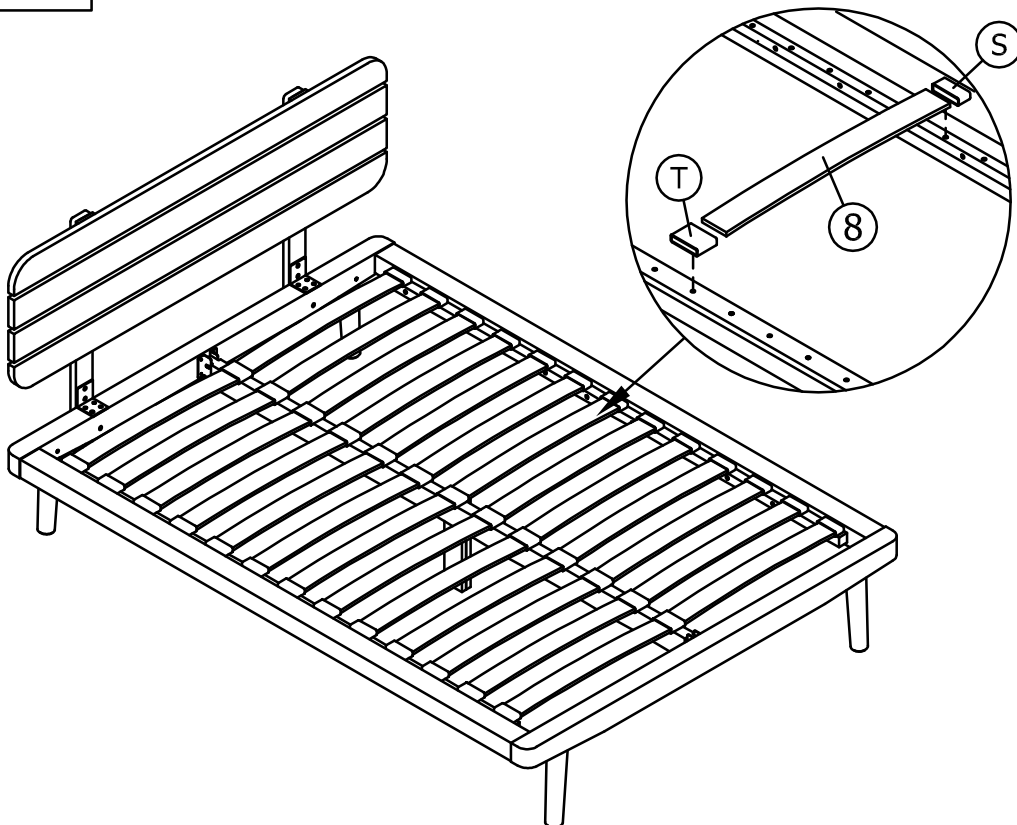
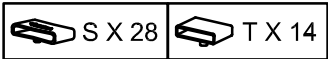
 JX 4  NX 4  AX 1  IX 4  DX 4



Step 9

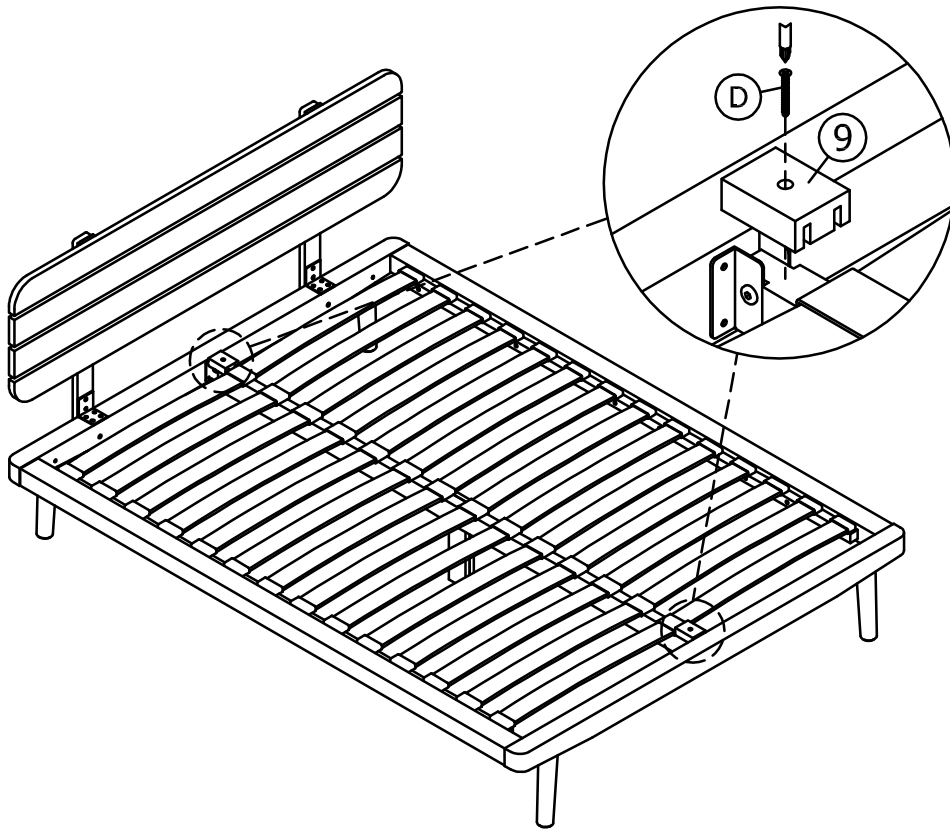


Step 10



Step 11

 DX 2



Care and Maintenance

Wood Furniture

Wood displays different grain patterns depending on which way they cut - for example, the 'medullary ray' which can appear on oak furniture is a mark of good quality timber - these are just characteristics of the natural beauty of the wood. Some furniture is also deliberately aged and rustic.

Wood veneers also allow distinctive patterns to be created on flat surfaces, such as table tops and drawer fronts by the way the slivers are arranged.

All timber surfaces will change colour and mellow over time. New furniture will initially vary in shade from items that have been previously purchased.

How to care for your wood furniture

Furniture with a hard lacquer, wax polish or painted surface should be dusted with a dry cloth.

Waxed furniture will need to be given a coat of beeswax a couple of times a year to help maintain its luster.

Spray polishes are best avoided as they contain silicones which may spoil the furniture's surface by building up over time.

Our furniture will endure most temperatures in the home but it is best to avoid placing furniture next to heat sources such as radiators or fires. Be particularly careful with solid wood as the lack of humidity caused by central heating can cause damage such as warping.

Safety Instructions

Never drag furniture when moving it, always lift it.

Periodically check all fixings to ensure none have come loose and re-tighten where necessary.

Please take care when handling or moving the furniture as careless handling may cause damage or injury.

Furniture can be dangerous if incorrectly installed. Assembly should be carried out by a competent adult. No liability will be accepted for damage or injury caused by incorrectly installed or assembled furniture. During assembly children should be kept away from the product due to possible risk of injury. Do not use this item if any components are missing or damaged.

It is recommended that care is taken when moving heavy objects to a new location to avoid personal injury or damage to the furniture. Please be careful to retain all fittings when doing this.

This product complies with BS EN 1725:1998.