







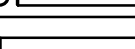


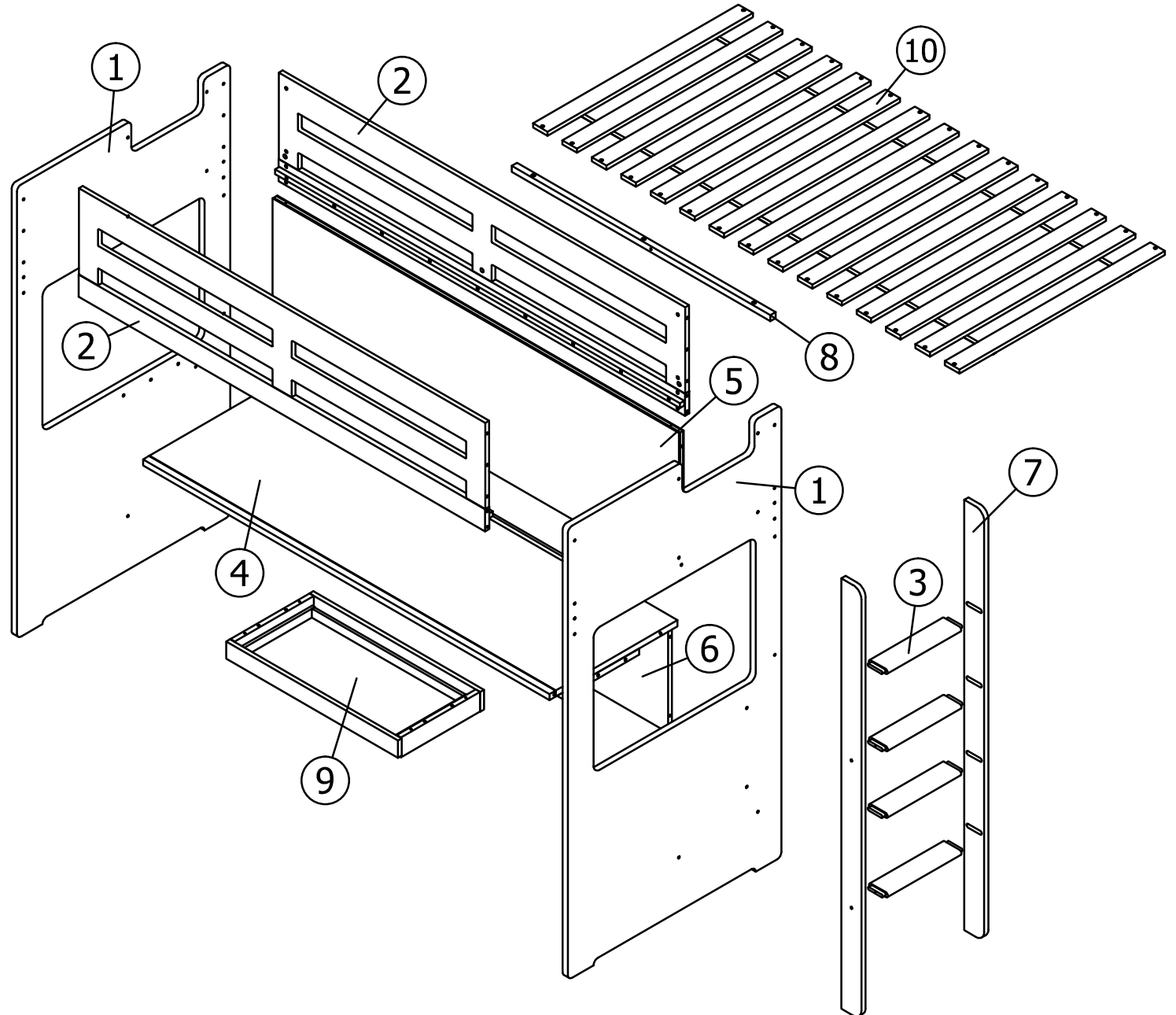
Please take the time to carefully read through the instructions before you commence. Keep these instructions for future references.

Warning

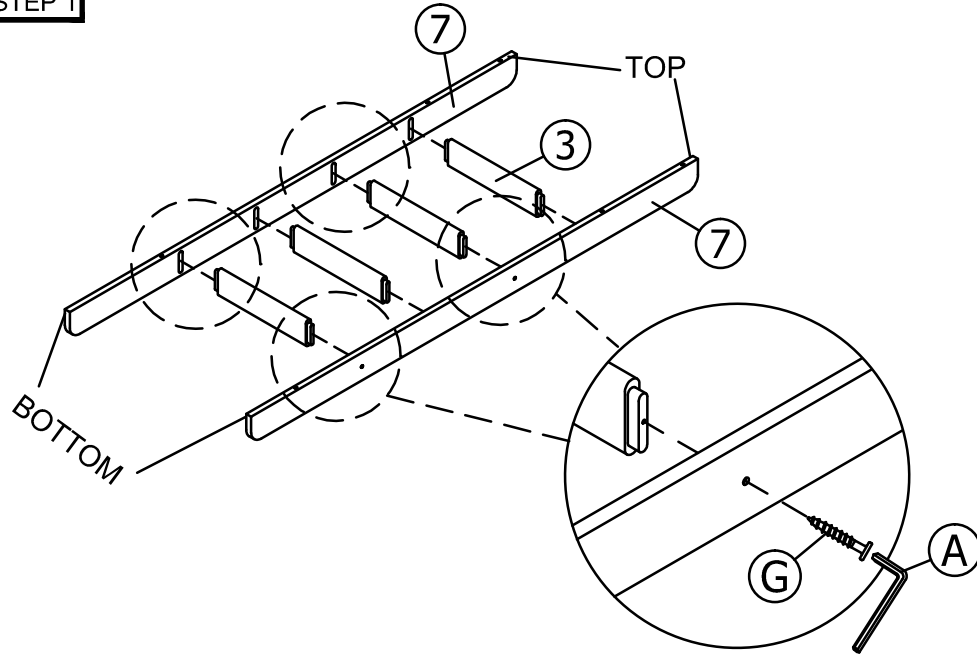
1. Two people are required to set up the bed.
2. All the screws must be screwed onto the headboard, footboard & side rails.
3. Warranty will be voided if the slat bed was not put up according to the Assembly Manual.

NO	Hardware List		QTY
	Description		
A		ALLEN M4	1 PC
B		BARREL NUT M6	24 PCS
C		CSK WOODEN SCREW M4 X 32MM	34 PCS
D		CSK WOODEN SCREW M4 X 50MM	4 PCS
E		JCBC SCREW M6 X 40MM	6 PCS
F		JCBC SCREW M6 X 70MM	30 PCS
G		JCBC-W SCREW M7 X 40MM	4 PCS
H		WOOD DOWEL M8 X 30MM	10 PCS
I		METAL DOWEL M10 X 70MM	2 PCS

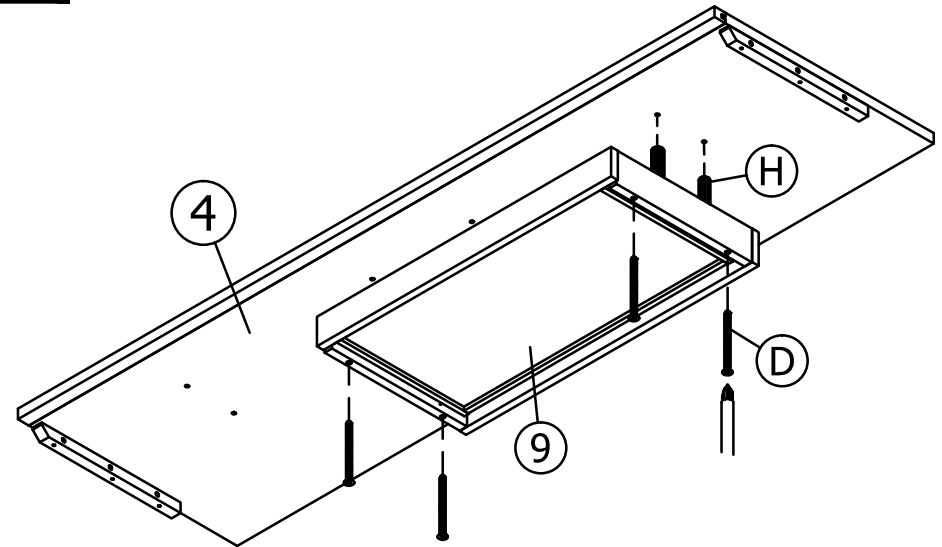
NO	Parts List		QTY
	Description		
1	HEADBOARD & FOOTBOARD PANEL		2 PCS
2	SIDE RAIL WITH HOLDER L&R		2 PCS
3	LADDER HRAIL		4 PCS
4	TABLE TOP		1 PC
5	CENTRE PANEL		1 PC
6	BOTTOM PANEL		1 PC
7	LADDER VRAIL L&R		2 PCS
8	CENTRE PANEL BACK SUPPORT		1 PC
9	DRAWER		1 PC
10	BED SLAT		1 SET



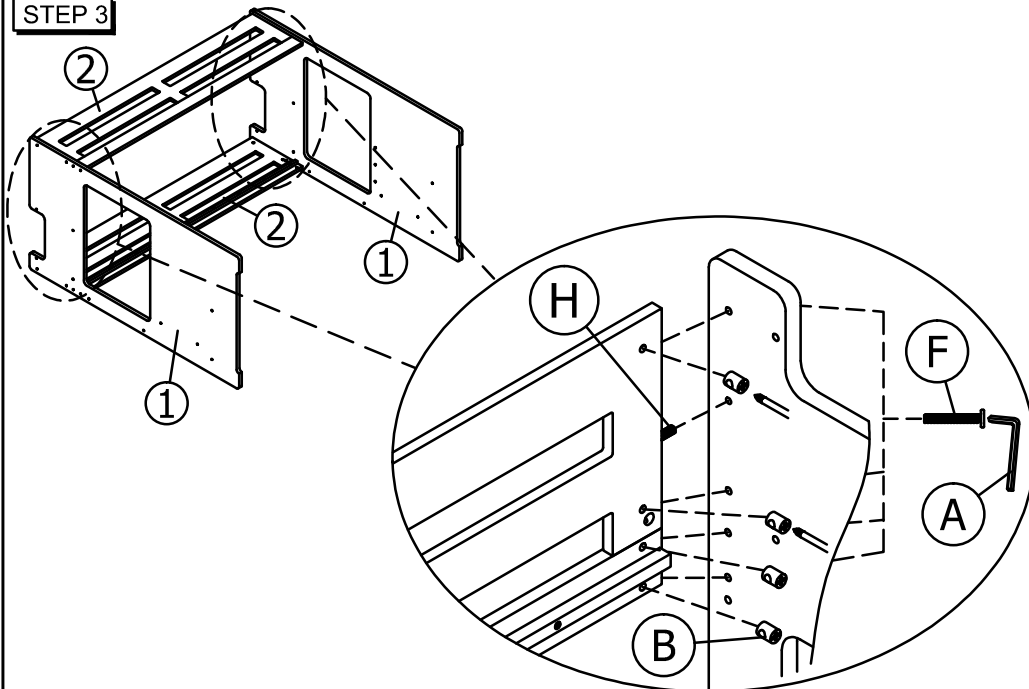
STEP 1



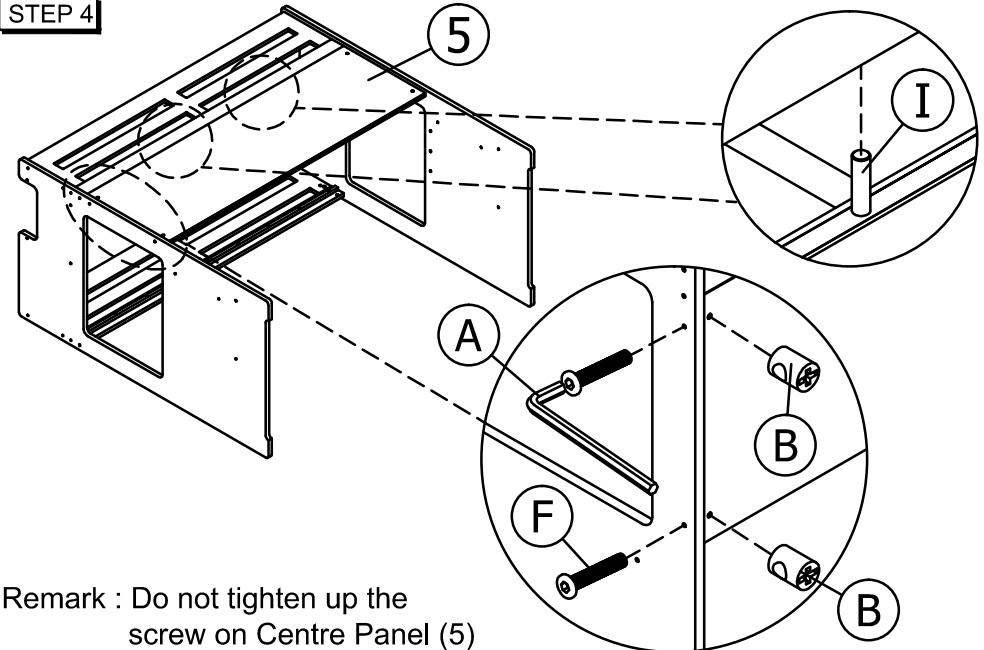
STEP 2



STEP 3

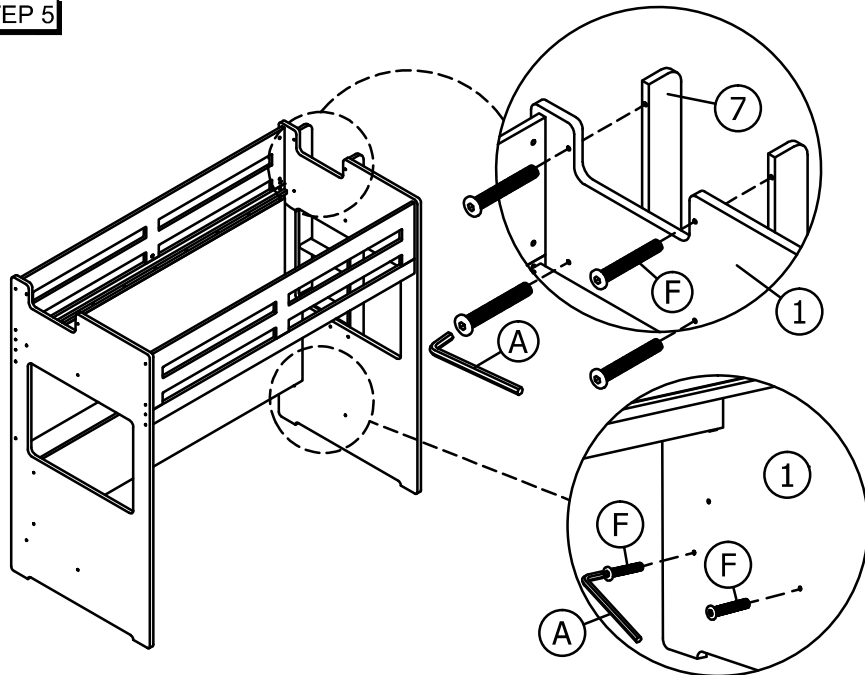


STEP 4

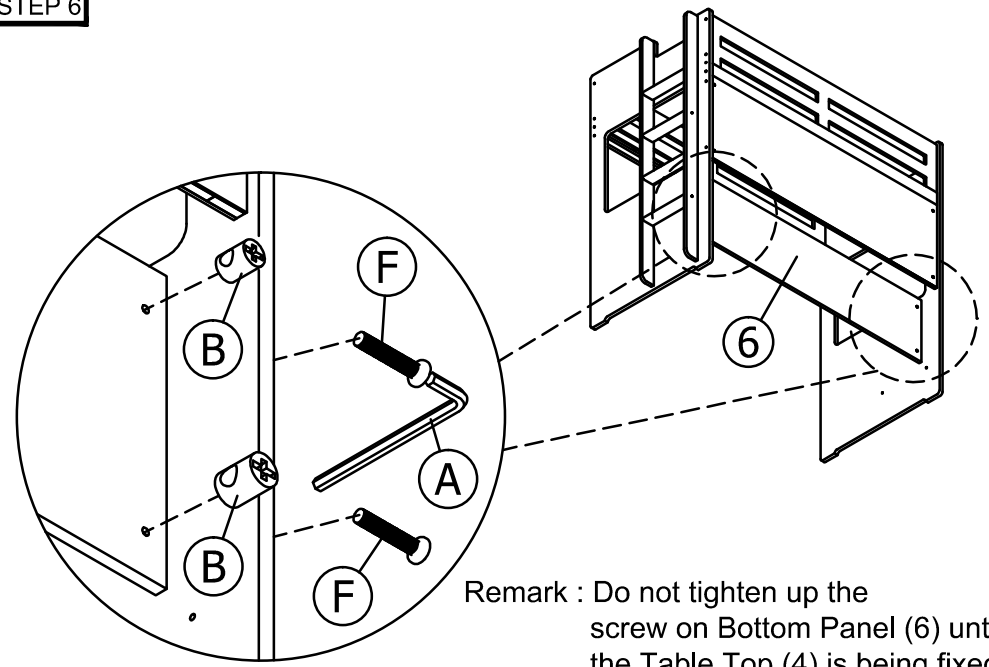


Remark : Do not tighten up the screw on Centre Panel (5) until the Table Top (4) is being fixed.

STEP 5

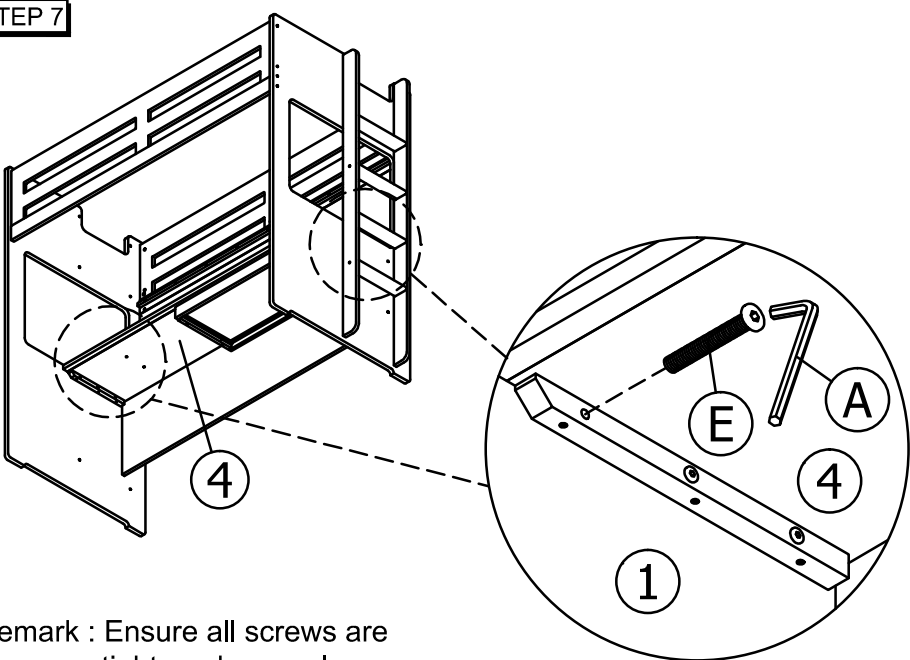


STEP 6



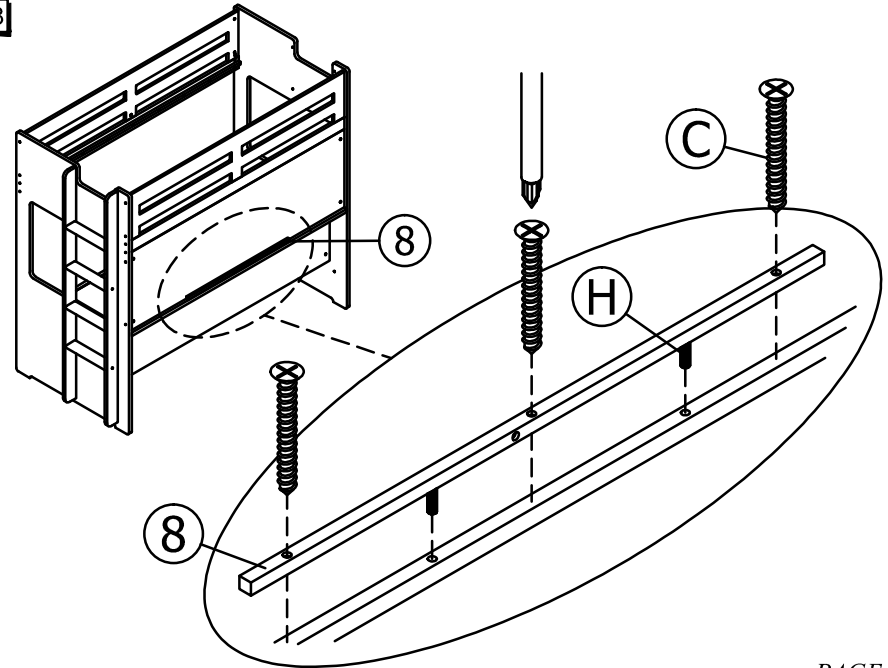
Remark : Do not tighten up the screw on Bottom Panel (6) until the Table Top (4) is being fixed.

STEP 7

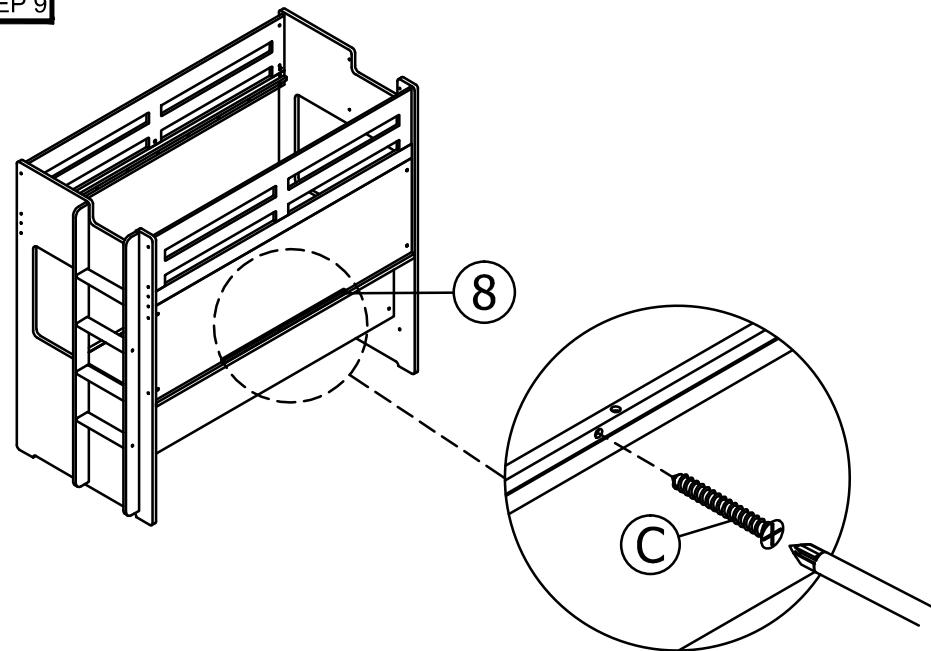


Remark : Ensure all screws are tightened securely.

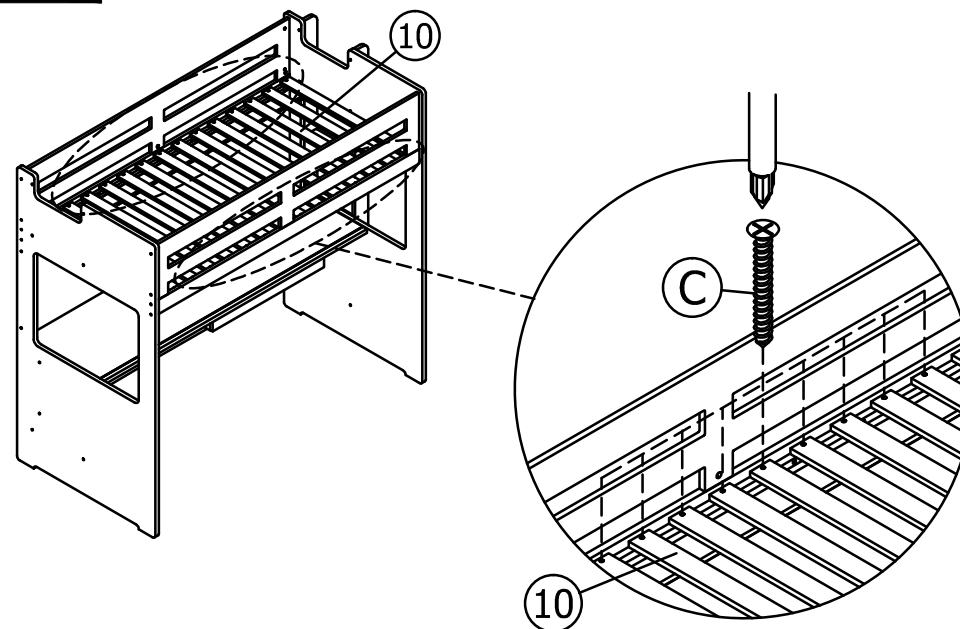
STEP 8



STEP 9



STEP 10



STEP 11

