

# ROSET BED 1070 X 2000mm

Before you begin, please follow assembly instruction carefully. Follow them step by step.




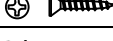


NOTE: ASSEMBLE THE FURNITURE ON A FLAT & SOFT SURFACE.

### WARNING

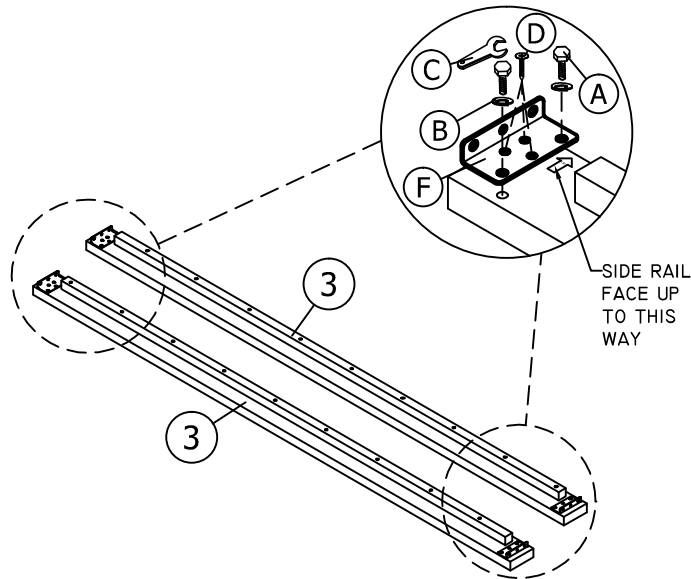
1. TWO PEOPLES ARE REQUIRED TO SET UP THE SLAT BED.

2. ALL THE SCREWS MUST BE SCREWED ONTO THE HEADBOARD, FOOTBOARD & SIDE RAIL.

NO	Parts List Description	QTY
1	HEARDBOARD	1 PC
2	FOOTBOARD	1 PC
3	SIDE RAIL	2 PCS
4	SLATS	10 PCS

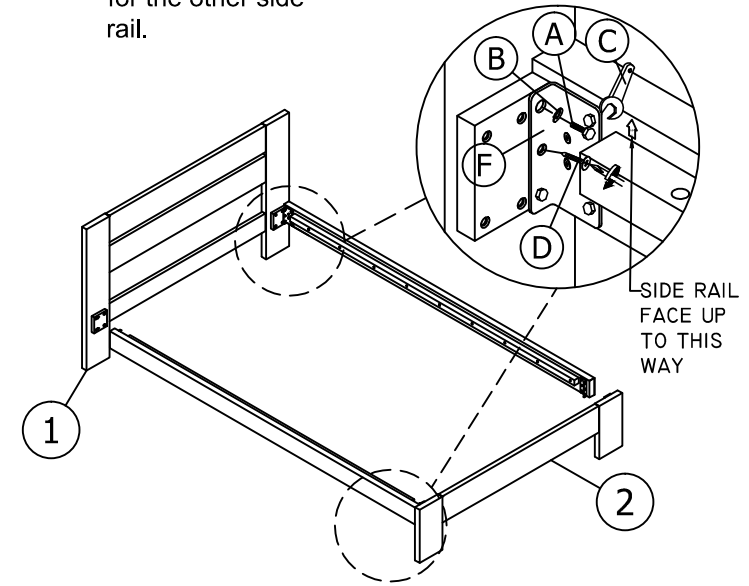
NO	Hardware List Description	QTY
A	 HEXAGON BOLT M6 X 18MM	16 PCS
B	 SPRING WASHER M6	16 PCS
C	 SPANNER M10	1 PC
D	 CSK WOODEN SCREW M3,5 X 16MM	16 PCS
E	 CSK WOODEN SCREW M4 X 32MM	6 PCS
F	 PS BRACKET (64MM)	4 PCS

### STEP 1 PS Bracket on to the Side Rail.

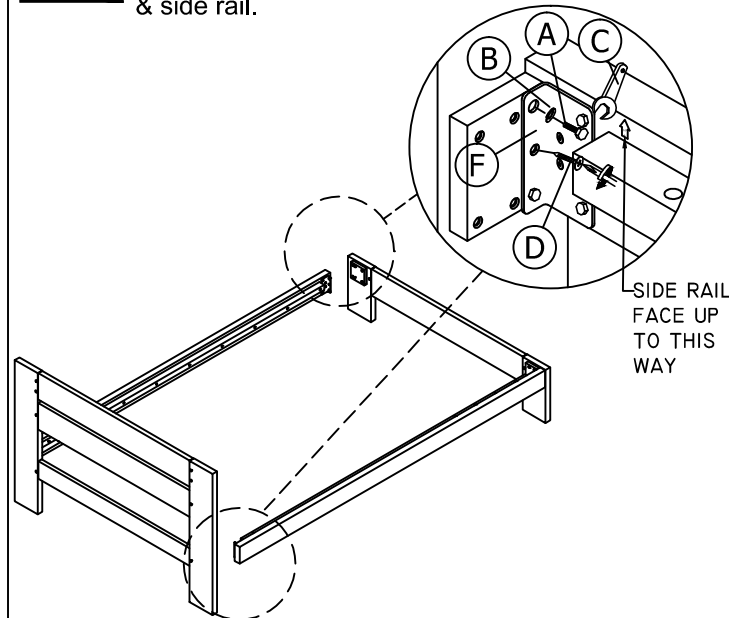


### STEP 2

One Side Rail onto the Headboard first, then the other side attached to the footboard. Repeat step 2 for the other side rail.



### STEP 3 Screw all the screws onto the headboard, footboard & side rail.



### STEP 4

