

ROSET BED (1524 ~ 1680) X 2000mm






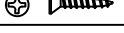
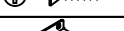





Before you begin, please follow assembly instruction carefully. Follow them step by step.

NOTE: ASSEMBLE THE FURNITURE ON A FLAT & SOFT SURFACE.

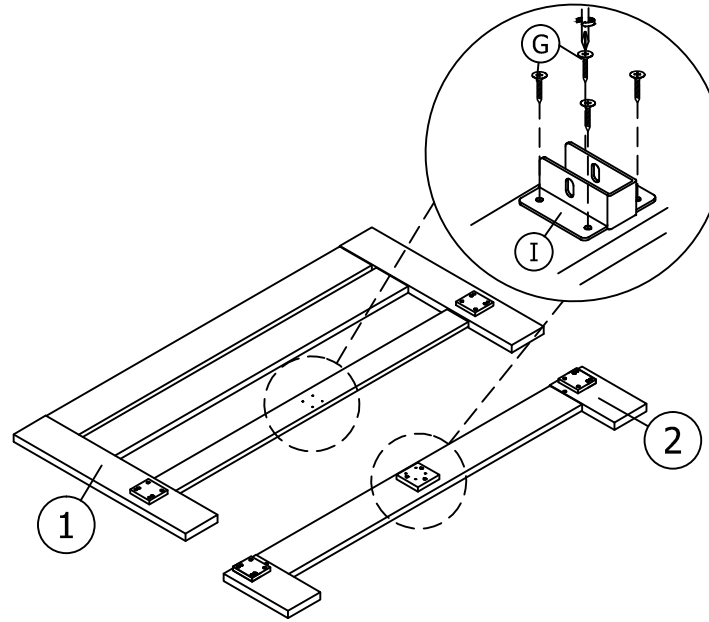
Warning

- Two peoples are required to set up the slat bed.
- All the screws must be screwed onto the headboard, footboard & side rail.

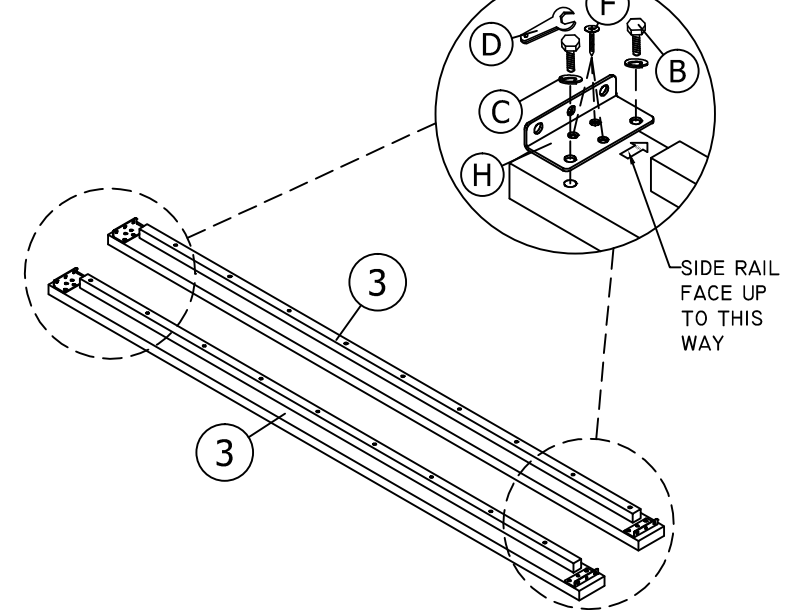
NO	Parts List Description	QTY
1	HEARDBOARD	1 PC
2	FOOTBOARD	1 PC
3	SIDE RAIL	2 PCS
4	CENTER RAIL	1 PC
5	BENDWOOD	28 PC

NO	Hardware List Description	QTY
A	 JCBC SCREW M6 X 40 MM	2 PCS
B	 HEXAGON BOLT M6 X 18MM	16 PCS
C	 SPRING WASHER M6	16 PCS
D	 SPANNER M10	1 PC
E	 ALLEN KEY M4	1 PC
F	 CSK WOODEN SCREW M3,5 X 16MM	16 PCS
G	 CSK WOODEN SCREW M3,5 X 20MM	8 PCS
H	 PS BRACKET (64MM)	4 PCS
I	 CENTRE BRACKET (ARCB)	2 PCS
J	 WING NUT M6	2 PCS
K	 SLAT HOLDERS	28 PCS
L	 CENTRE SLAT HOLDERS	14 PCS

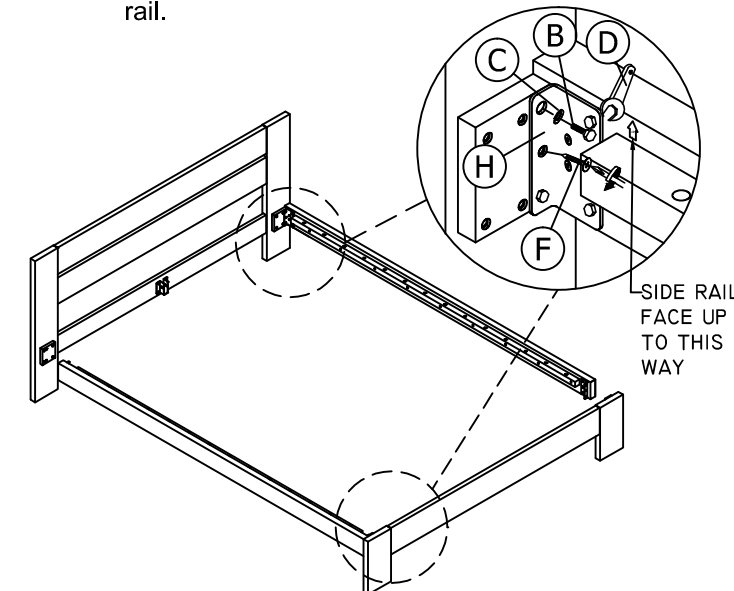
STEP 1 ARCB on to the Headboard & Footboard.



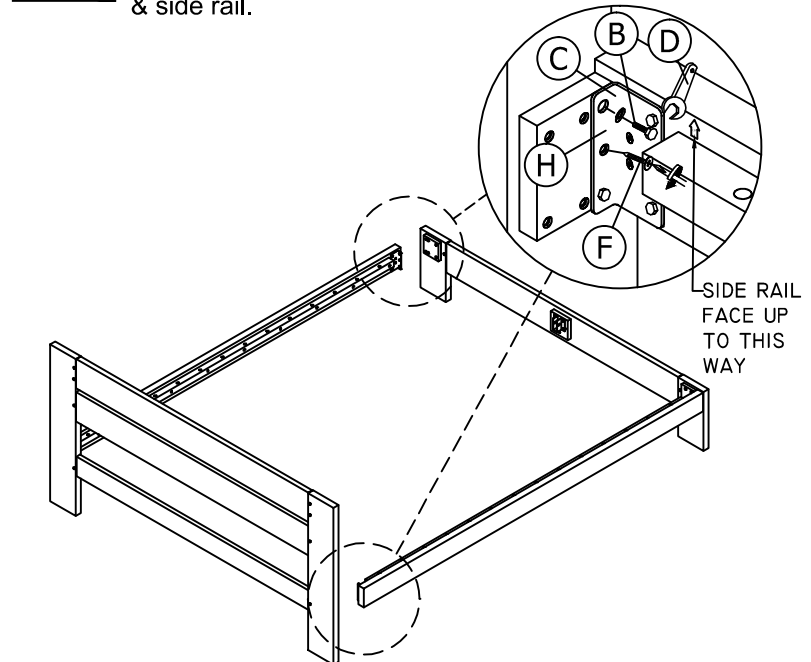
STEP 2 PS Bracket on to the Side Rail.



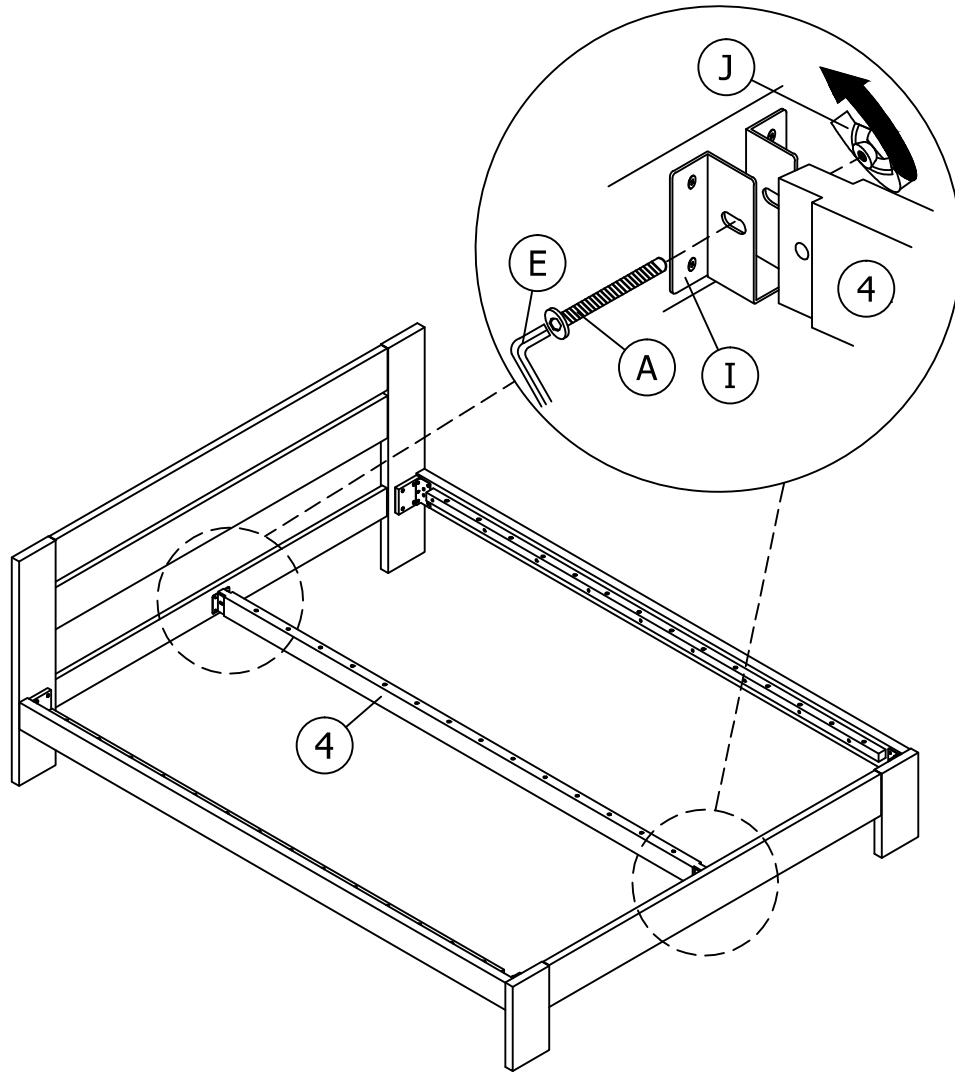
STEP 3 One Side Rail onto the Headboard first, then the other side attached to the footboard. Repeat step 2 for the other side rail.



STEP 4 Screw all the screws onto the headboard, footboard & side rail.



STEP 5



STEP 6

