

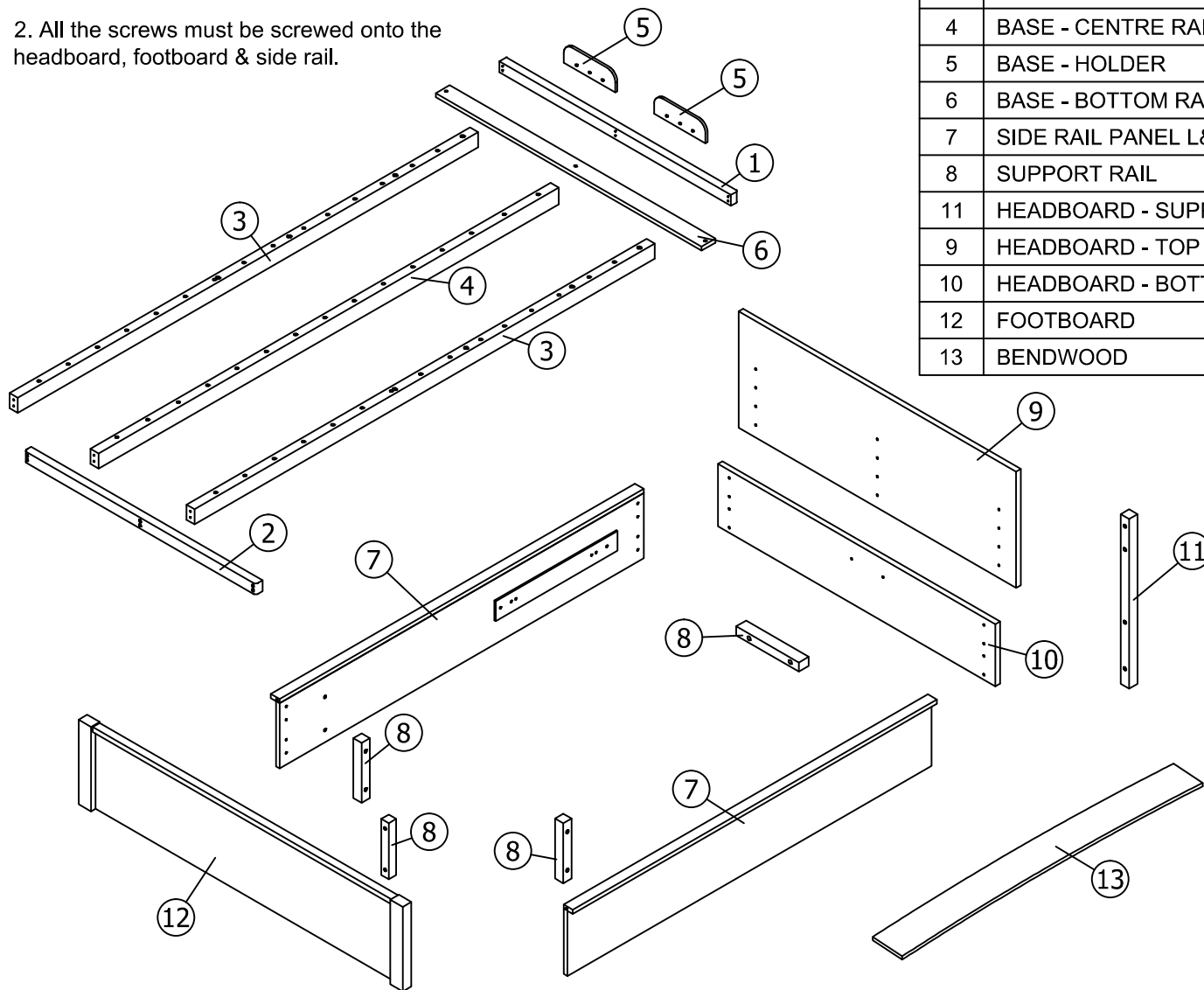
NORWISH LIFT UP BED 1540 ~ 1840 X 2060mm

Please take the time to carefully read through the instructions before you commence. Keep these instructions for future references.

Warning

1. Two peoples are required to set up the bed.

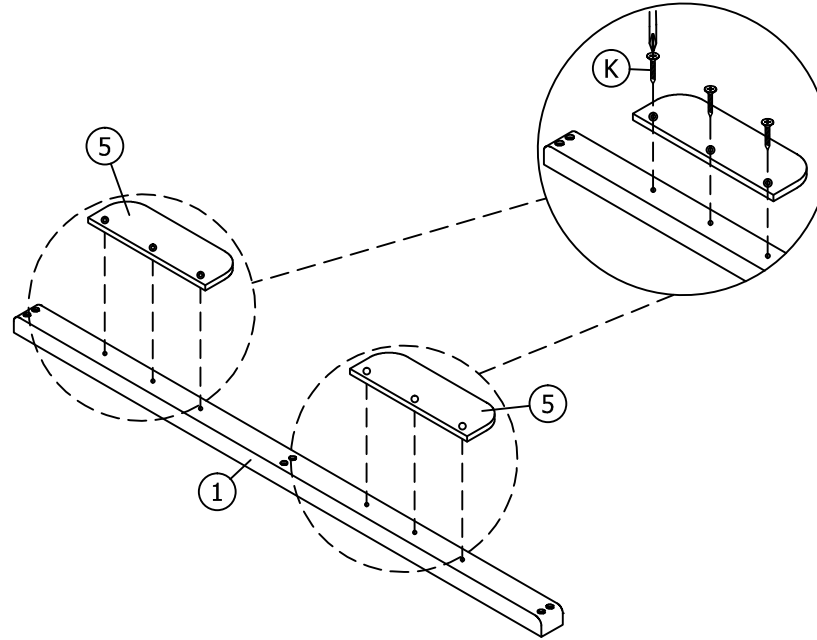
2. All the screws must be screwed onto the headboard, footboard & side rail.



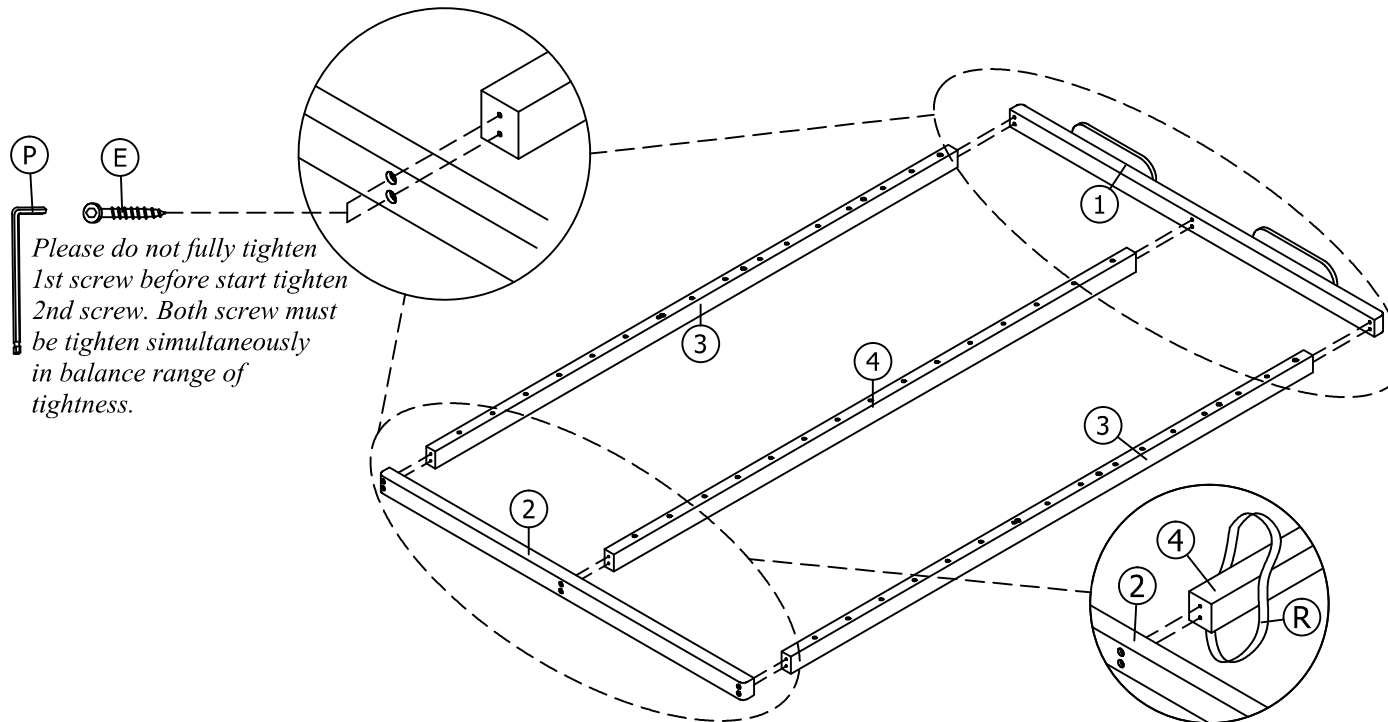
NO	Parts List	QTY
	Description	
1	BASE - HEADBOARD	1 PC
2	BASE - FOOTBOARD	1 PC
3	BASE - SIDE RAIL L&R	2 PCS
4	BASE - CENTRE RAIL	1 PC
5	BASE - HOLDER	2 PCS
6	BASE - BOTTOM RAIL	1 PC
7	SIDE RAIL PANEL L&R	2 PCS
8	SUPPORT RAIL	4 PCS
11	HEADBOARD - SUPPORT	3 PCS
9	HEADBOARD - TOP	1 PC
10	HEADBOARD - BOTTOM	1 PC
12	FOOTBOARD	1 PC
13	BENDWOOD	28 PCS

NO	Hardware List		QTY
	Description		
A		JCBC SCREW M6 X 70MM	8 PCS
B		JCBC SCREW M6 X 50MM	20 PCS
C		HEXAGON BOLT M6 X 18MM	32 PCS
D		JCBC SCREW M6 X 18MM	12 PCS
E		JCBC-W SCREW M7 X 60MM	12 PCS
F		HEXAGON NUT M6	8 PCS
G		SPRING WASHER M6	60 PCS
H		FLAT WASHER M6 X 13	8 PCS
I		CSK WOODEN SCREW M3.5 X 16MM	28 PCS
J		CSK WOODEN SCREW M3.5 X 20MM	4 PCS
K		CSK WOODEN SCREW M4 X 25MM	6 PCS
L		CSK WOODEN SCREW M4 X 32MM	3 PCS
M		SPANNER M10	1 PCS
N		PS BRACKET (96MM)	8 PCS
O		MECHANISM (L&R)	1 PAIR
P		ALLEN KEY (BALL POINT)	1 PC
Q		CANTONA BRACKET	4 PCS
R		BELT	1 PC
S		LIFT UP STOOPER	2 PCS
T		GAS SPRING	2 PCS
U		SPANNER M13	1 PC
V		FLAT WASHER M6 X 18	12 PCS
W		SLAT HOLDER	28 PCS
X		SLAT HOLDER CENTRE	14 PCS
Y		PAN HEAD WOODEN SCREW M3.5 X 16MM	32 PCS

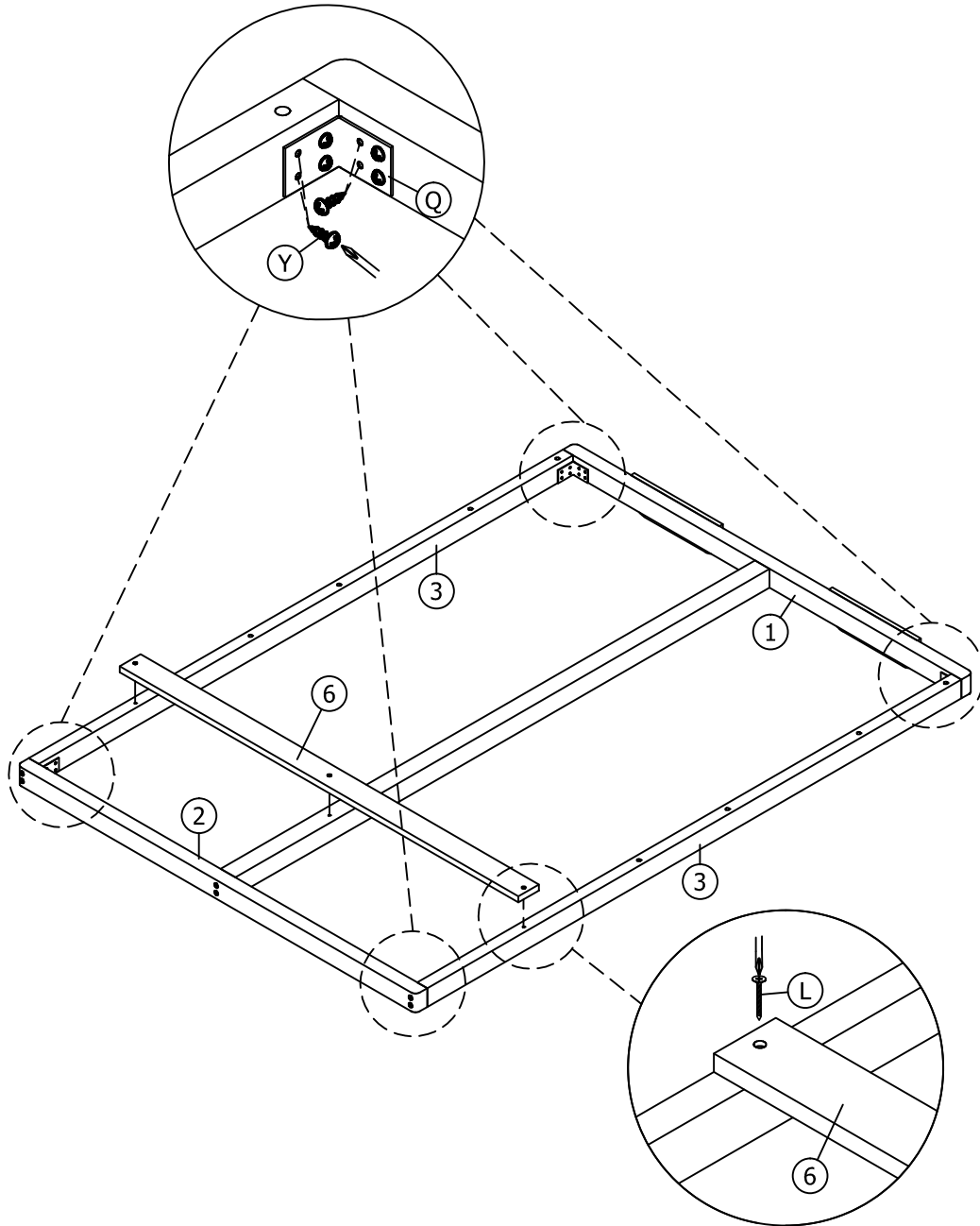
STEP 1



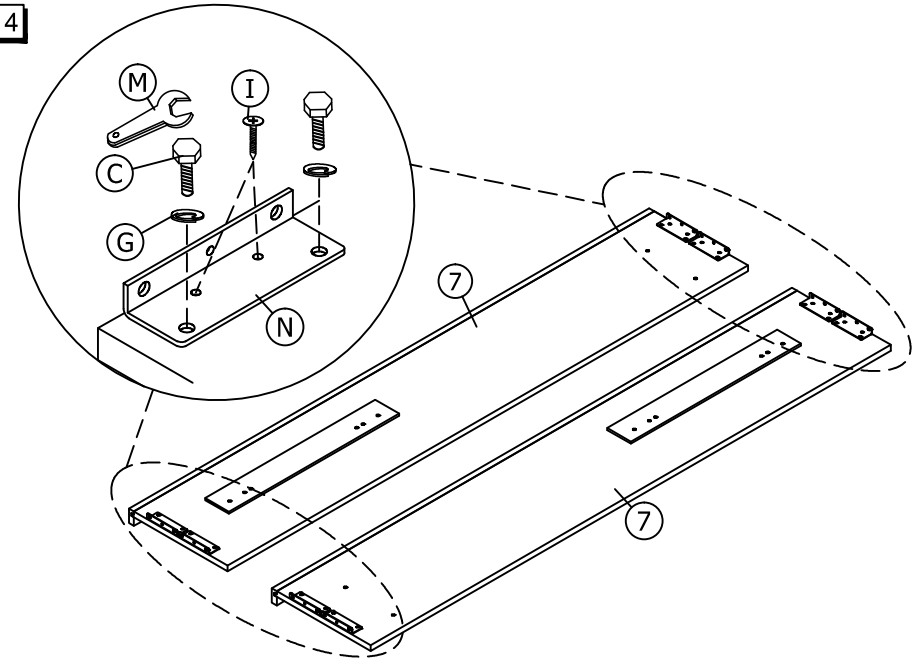
STEP 2



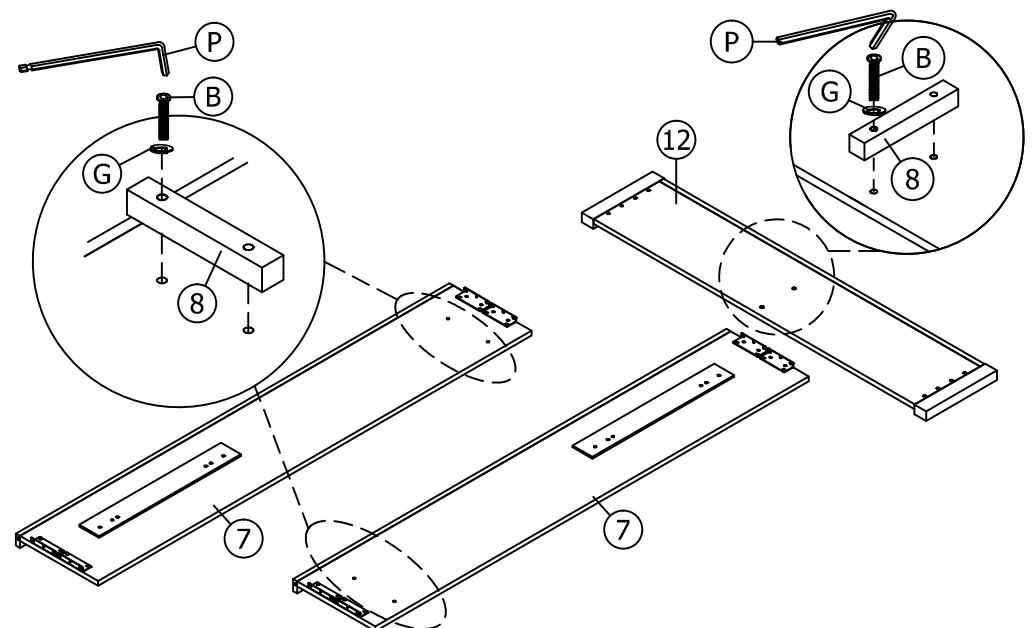
STEP 3



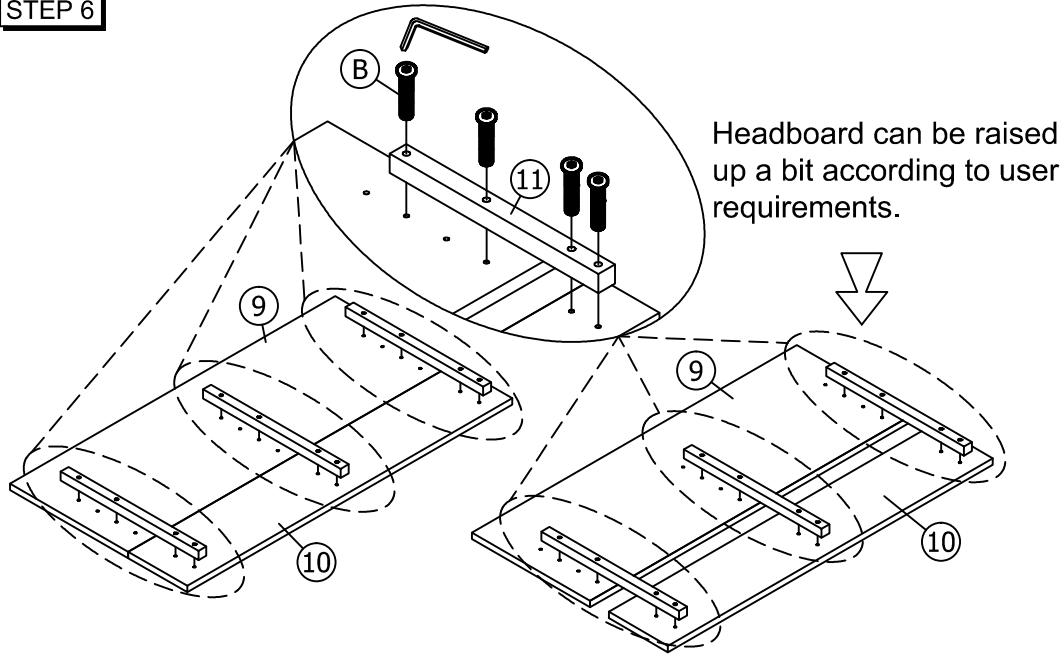
STEP 4



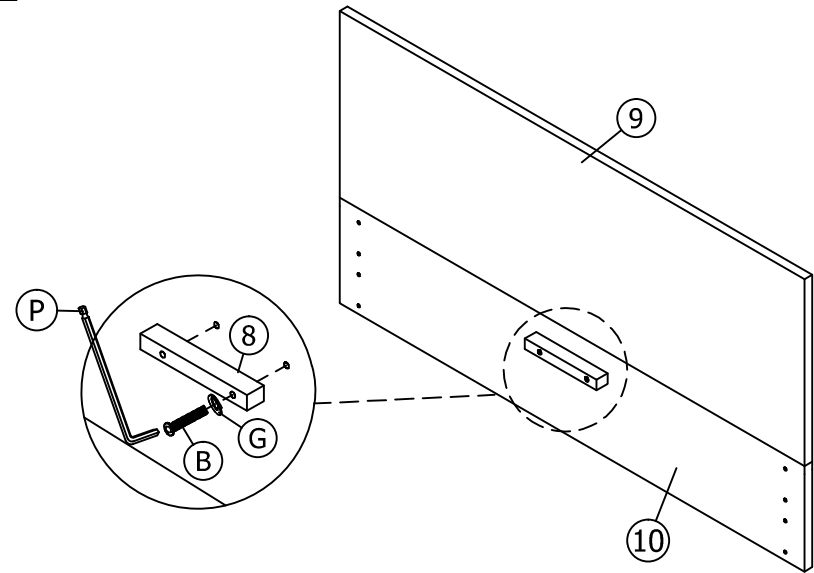
STEP 5



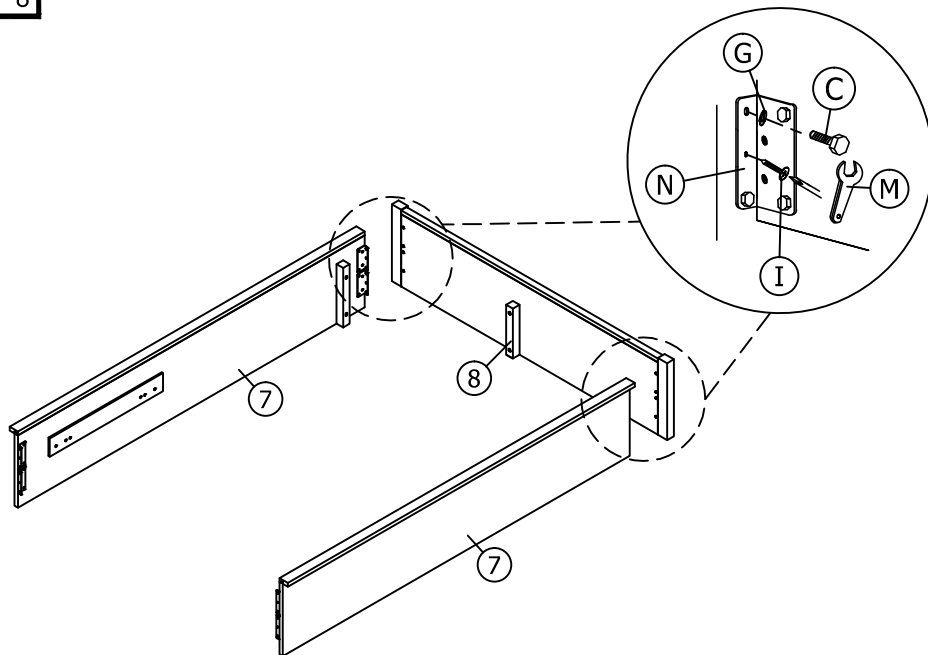
STEP 6



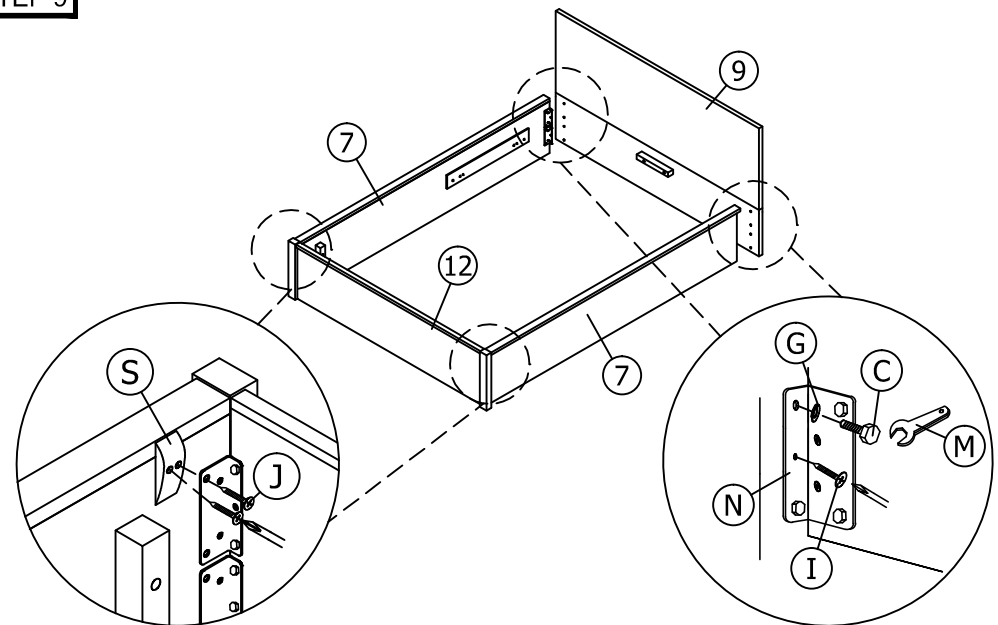
STEP 7



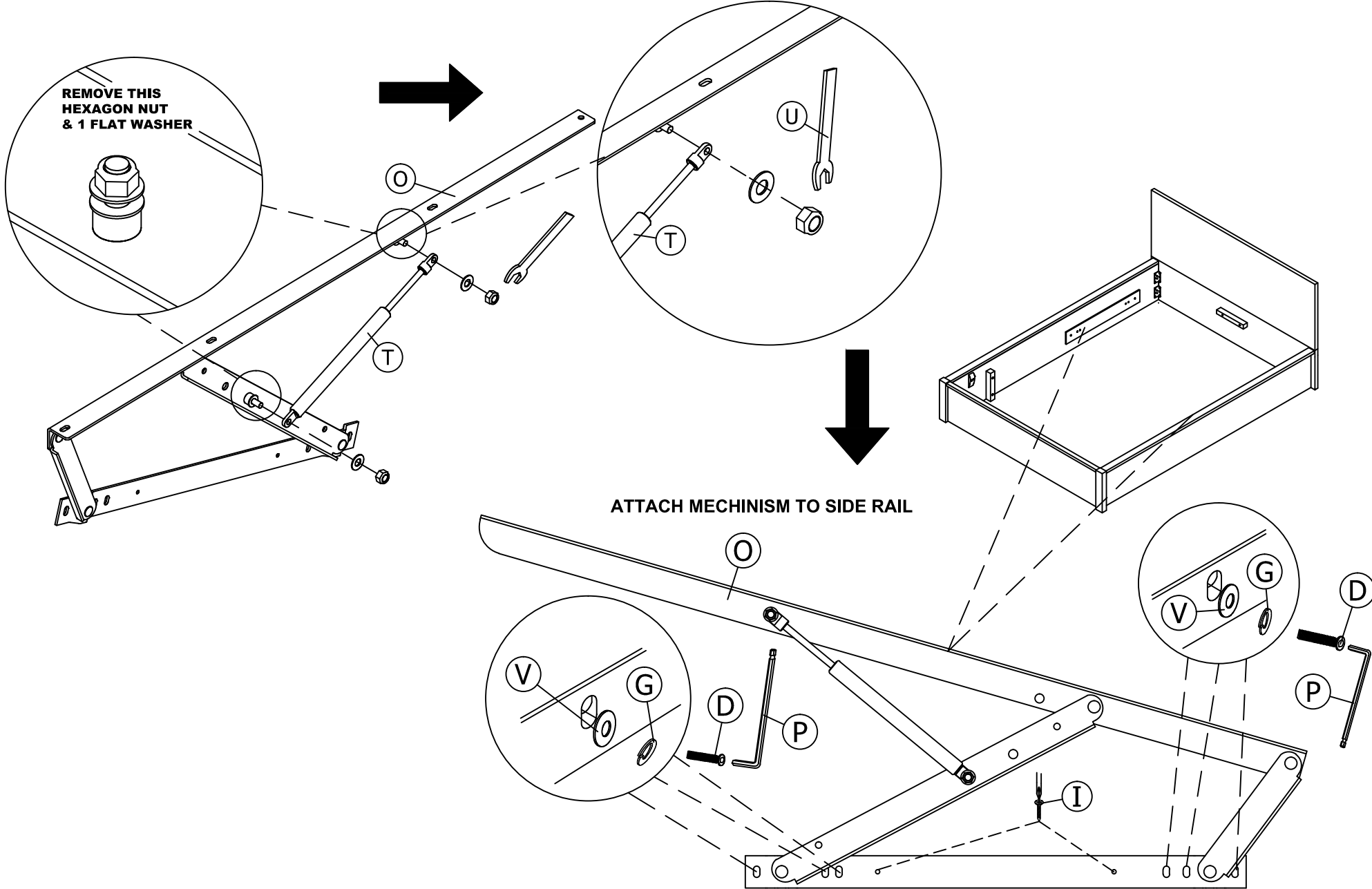
STEP 8



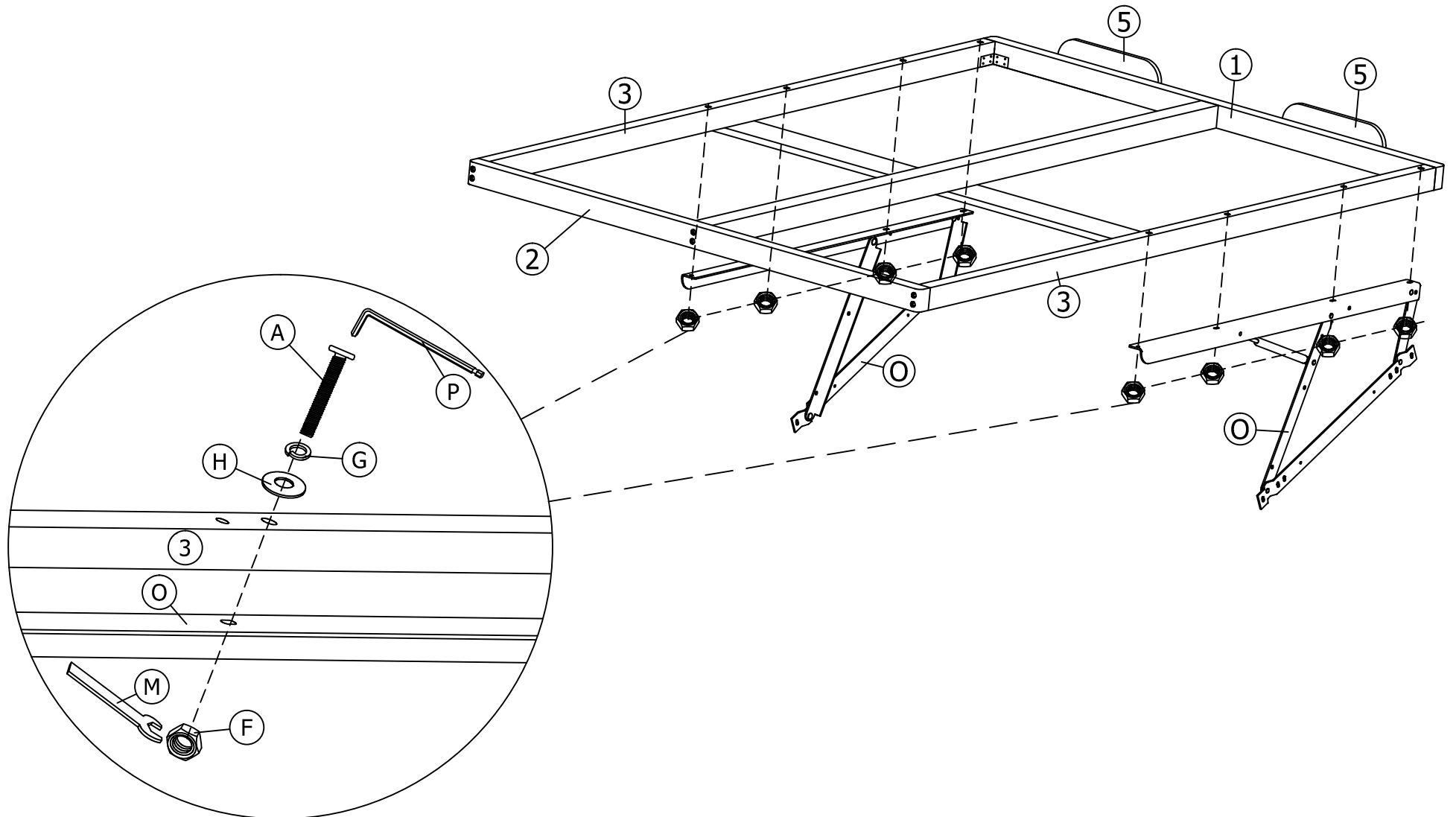
STEP 9



STEP 10

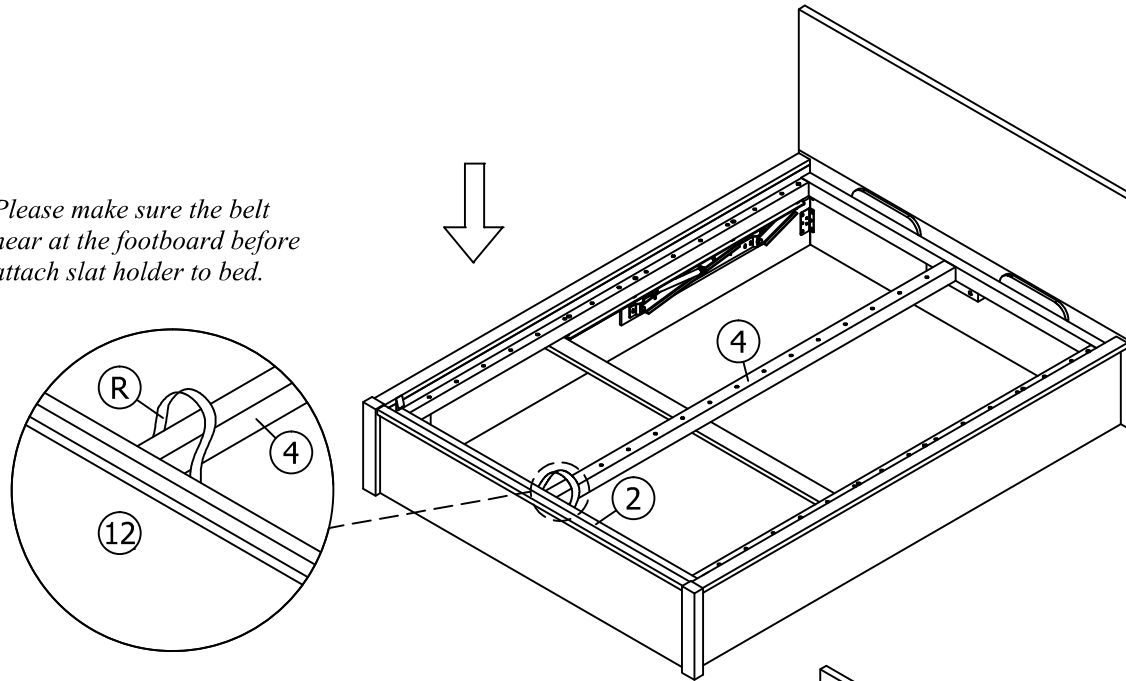


STEP 11



STEP 12

Please make sure the belt near at the footboard before attach slat holder to bed.



STEP 13

