

NORWISH BED (1300 ~ 1899) X 1905/2060mm

Before you begin, please follow assembly instruction carefully. Follow them step by step.

NOTE: ASSEMBLE THE FURNITURE ON A FLAT & SOFT SURFACE.

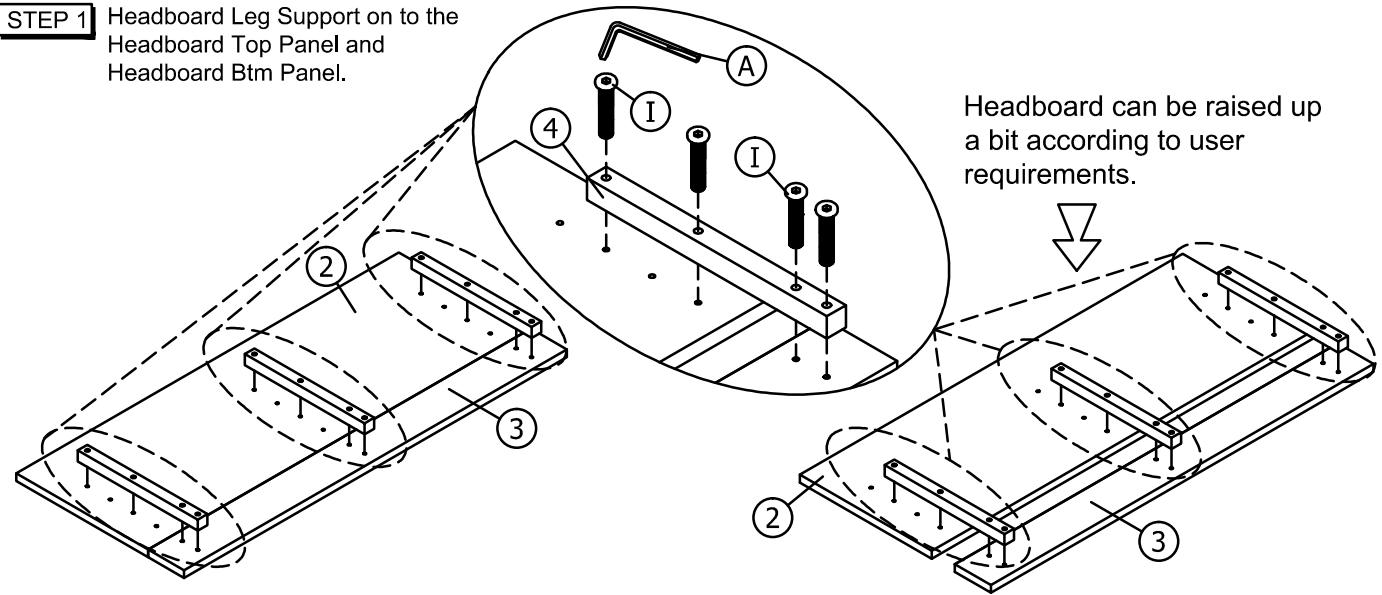
Warning

1. Two people are required to set up the slat bed.
2. All the screws must be screwed onto the headboard, footboard & side rails.
3. Warranty will be voided if the slat bed was not put up according to the Assembly Manual.

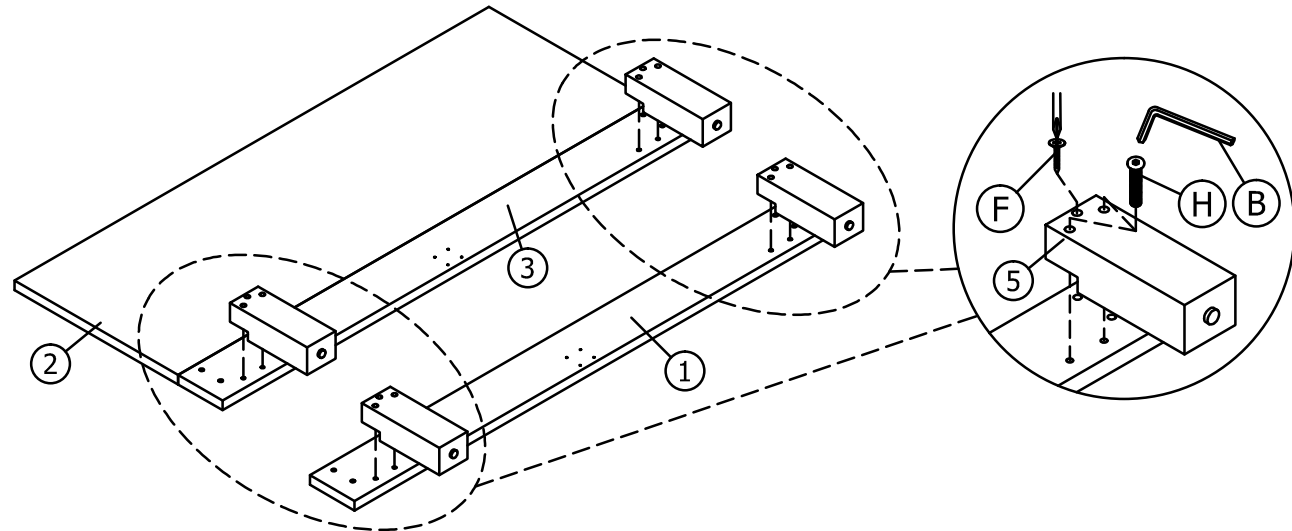
NO	Parts List	QTY
	Description	
1	FB - PANEL	1 PC
2	HB - TOP PANEL	1 PC
3	HB - BTM PANEL	1 PC
4	HB - LEG SUPPORT	3 PCS
5	LEG SUPPORT	4 PCS
6	SIDE RAIL	2 PCS
7	CENTRE RAIL	1 PC
8	SLAT	1 PC

NO	Hardware List	QTY
	Description	
A	ALLEN KEY M4/BLK	1 PC
B	ALLEN KEY M5/BLK	1 PC
C	ARCB	2 PCS
D	CSK WOODEN SCREW M3.5 X 20MM	8 PCS
E	CSK WOODEN SCREW M4 X 32MM	9 PCS
F	CSK WOODEN SCREW M4 X 44MM	4 PCS
G	CSK WOODEN SCREW M3.5 X 16MM	12 PCS
H	JCBC SCREW M8 X 55MM	8 PCS
I	JCBC SCREW M6 X 50MM	14 PCS
J	HEXAGON BOLT M6 X 18MM	16 PCS
K	PS BRACKET 96MM	4 PCS
L	SPRING WASHER M6	16 PCS
M	WING NUT M6	2 PCS
N	SPANNER	1 PC

STEP 1 Headboard Leg Support on to the Headboard Top Panel and Headboard Btm Panel.



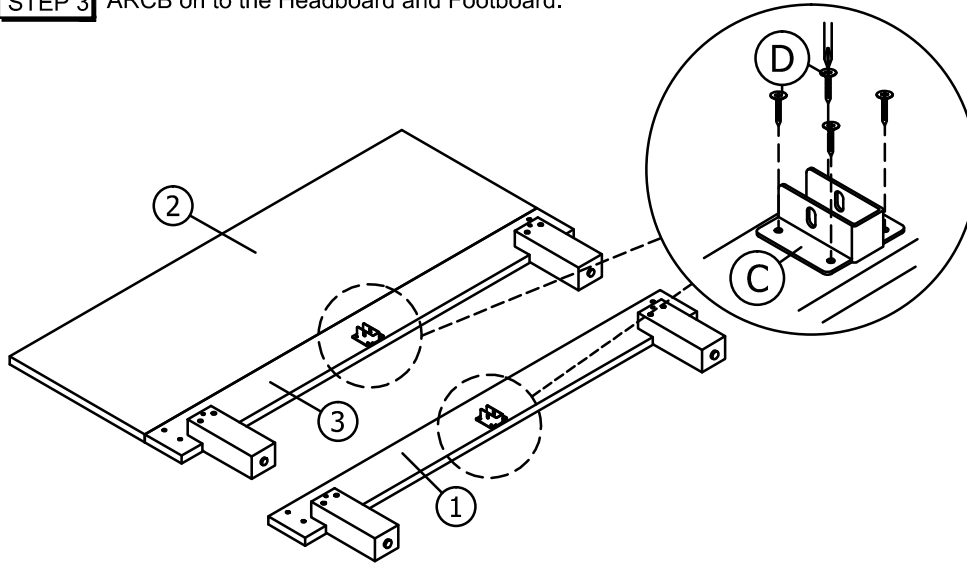
STEP 2 Leg Support on to the Headboard Panel and Footboard Panel.



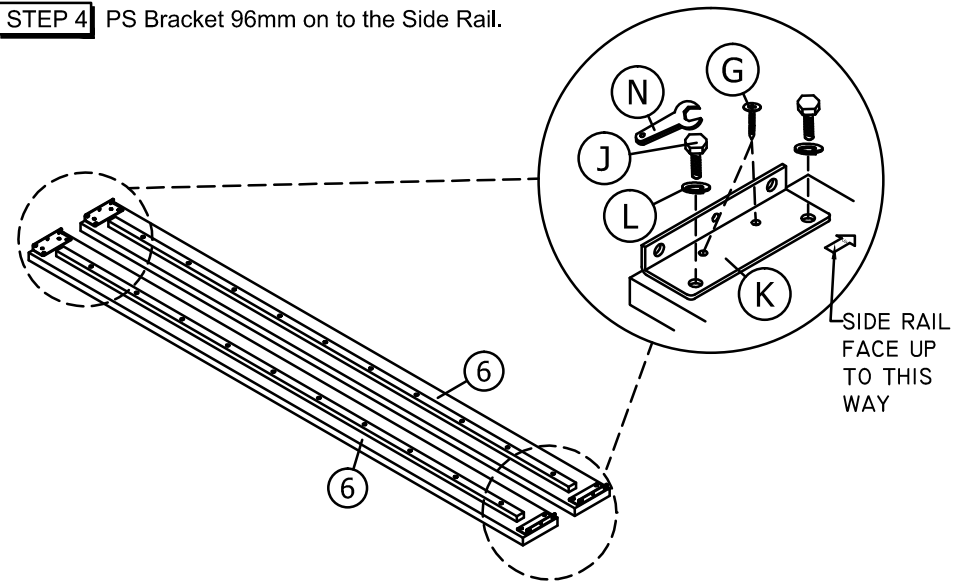
NORWISH BED (1300 ~ 1899) X 1905/2060mm

OAKANO™ Assembly Instruction

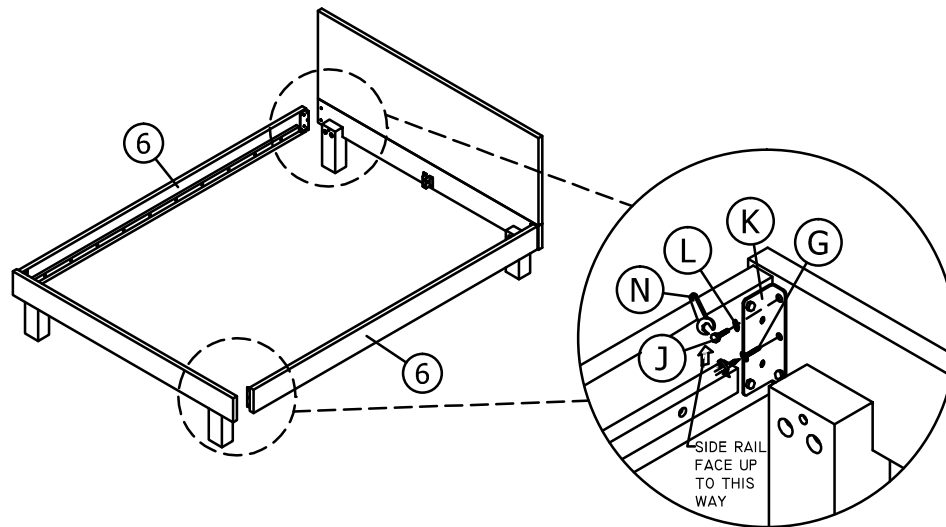
STEP 3 ARCB on to the Headboard and Footboard.



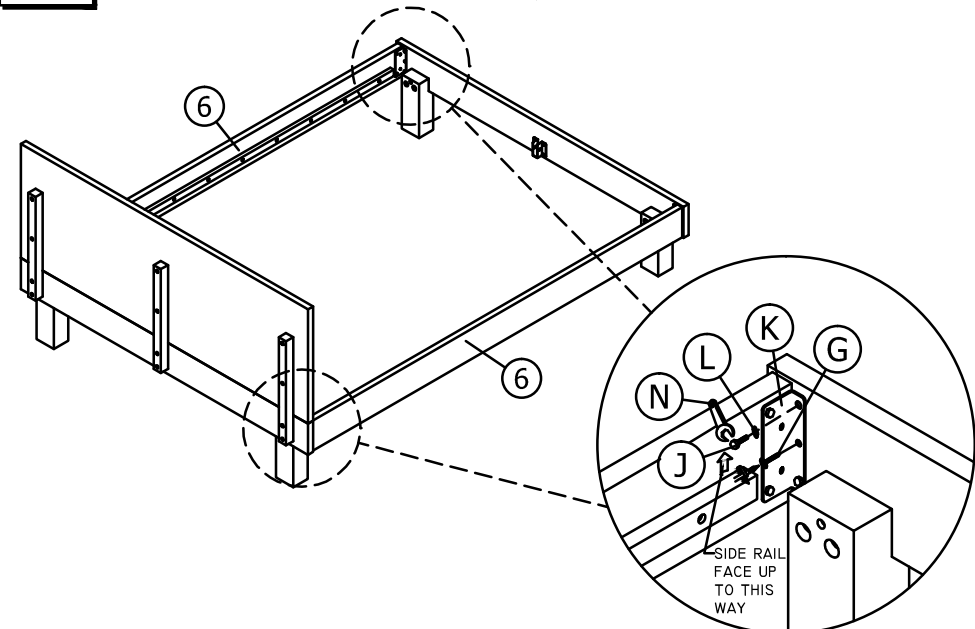
STEP 4 PS Bracket 96mm on to the Side Rail.



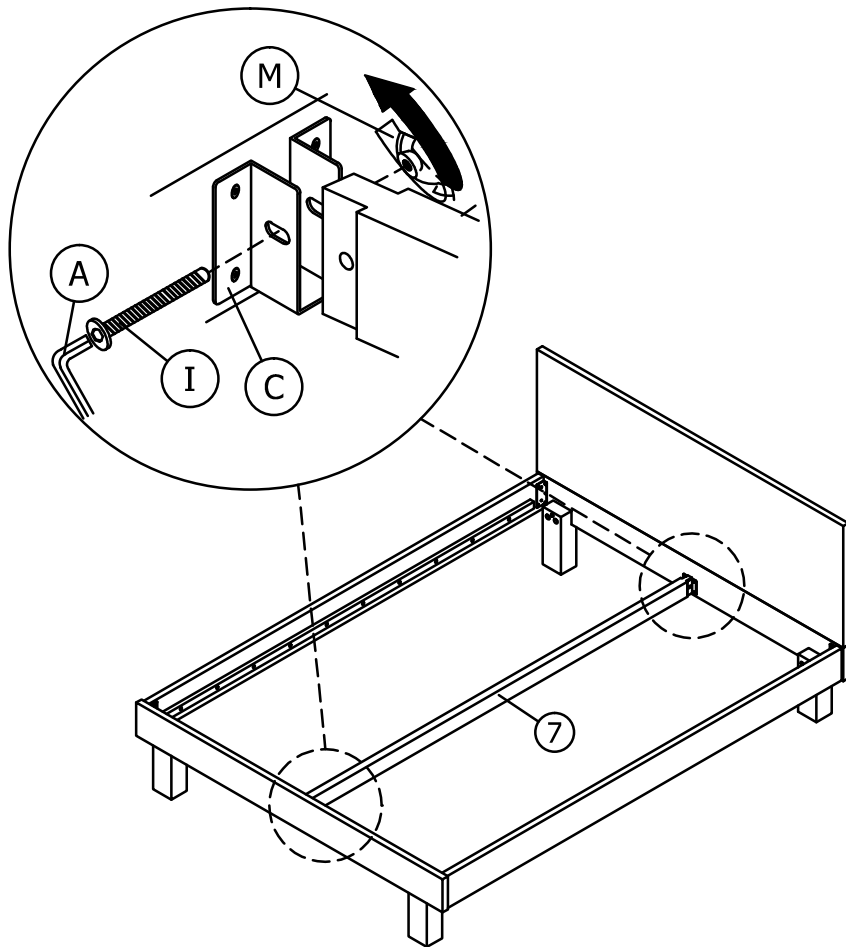
STEP 5 One Side Rail onto the Headboard first, then the other side attached to the Footboard. Repeat step 2 for the other Side rail.



STEP 6 Screw all the screws onto the headboard, footboard & side rail.



STEP 7 Centre Rail on to the ARCB as shown below.



STEP 8

