

BENETTON WOODEN BED

1524 & 1680 X 2060 / BW 28



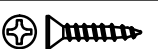
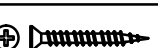








OAKANO™ Assembly Instruction





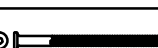
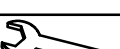




Before you begin, please follow assembly instruction carefully. Follow them step by step.

NOTE: ASSEMBLE THE FURNITURE ON A FLAT & SOFT SURFACE.

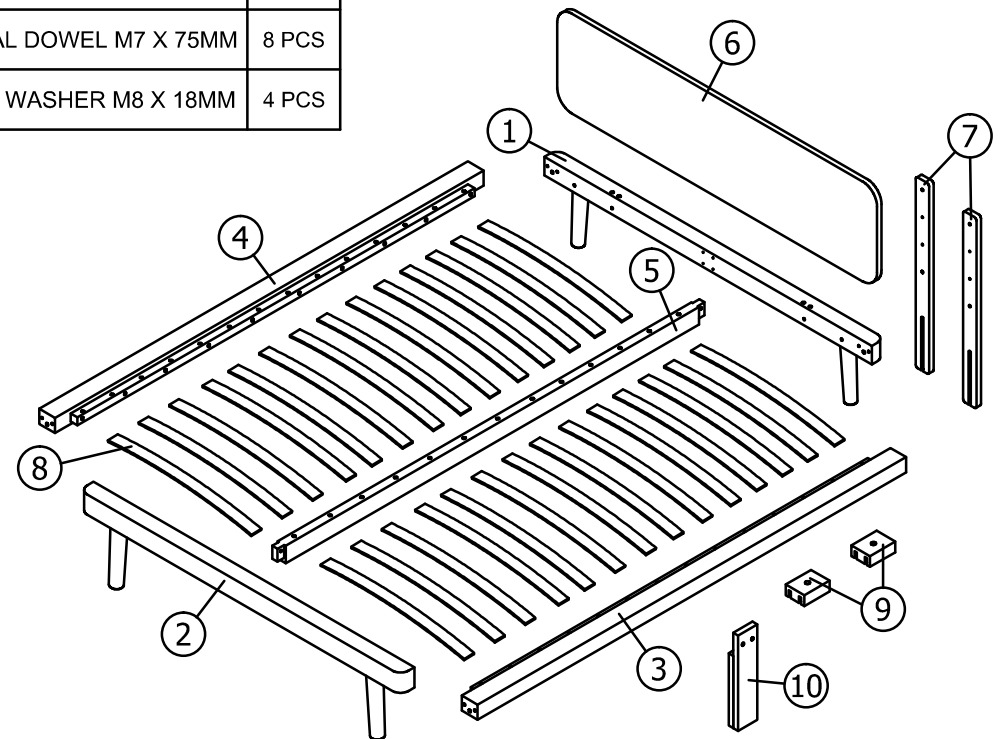
Warning

- Two people are required to set up the bendwood bed.
- All the screws must be screwed onto the headboard, footboard & side rails.
- Warranty will be voided if the bendwood bed was not put up according to the Assembly Manual.

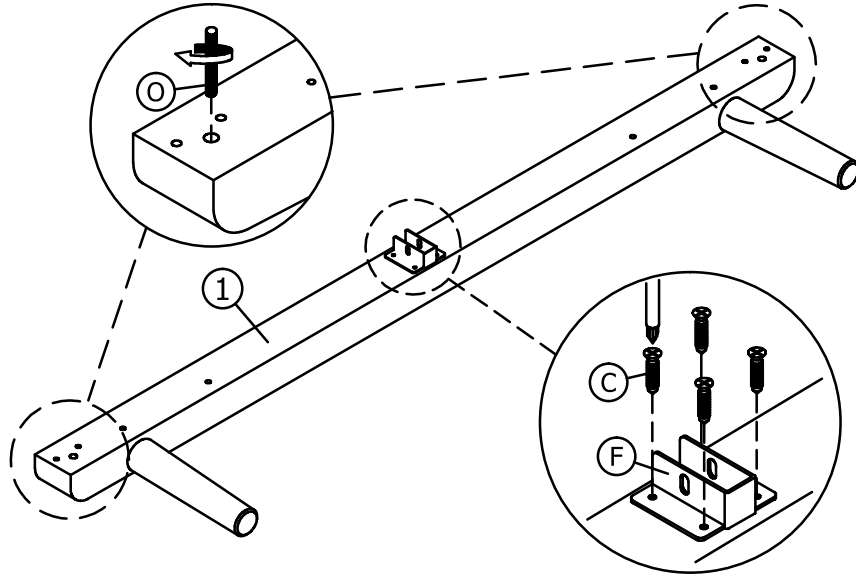
NO	Hardware List		QTY
	Description		
A		ALLEN KEY M4	1 PC
B		ALLEN KEY M5	1 PC
C		CSK WOODEN SCREW M3.5 x 20MM	8 PCS
D		CSK WOODEN SCREW M4 x 32MM	12 PCS
E		BOW BRACKET	2 PCS
F		CENTRE BRACKET (ARCB)	2 PCS
G		NYLON U-WASHER	4 PCS
H		WING NUT	2 PCS
I		FLAT WASHER M6 X 18MM	4 PCS
J		SPRING WASHER M6	4 PCS
K		SPRING WASHER M8	14 PCS
L		HEXAGON NUT M8	10 PCS

NO	Hardware List		QTY
	Description		
M		FLAT WASHER 3/8" X 28MM	6 PCS
N		JCBC SCREW M6 x 40MM	6 PCS
O		BOLT M8 x 80MM	4 PCS
P		JCBC SCREW M8 x 35MM	8 PCS
Q		JCBC SCREW M8 x 90MM	2 PCS
R		SPANNER M13	1 PC
S		SLAT HOLDERS	28 PCS
T		CENTRE SLAT HOLDERS	14 PCS
U		METAL DOWEL M7 X 75MM	8 PCS
V		FLAT WASHER M8 X 18MM	4 PCS

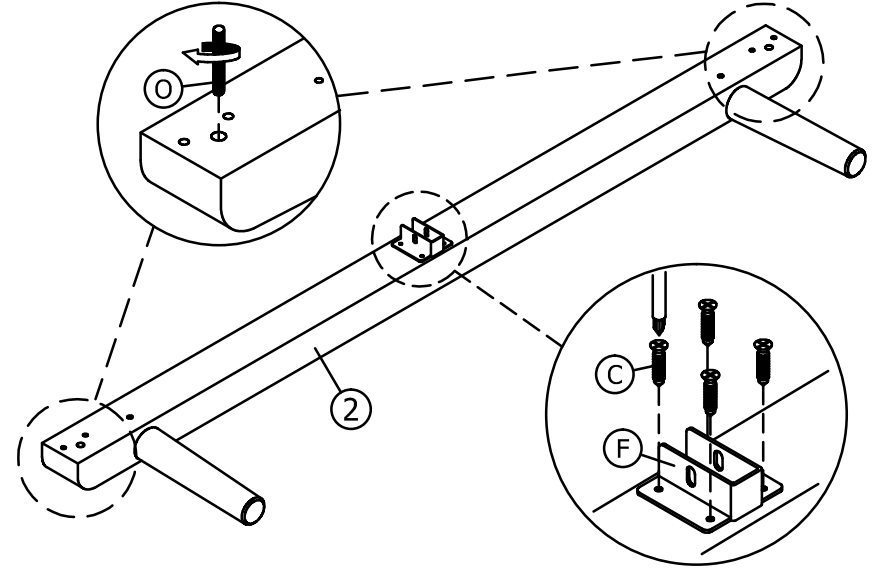
NO	Parts List		QTY
	Description		
1	HEADBOARD RAIL		1 PC
2	FOOTBOARD RAIL		1 PC
3	SIDE RAIL RIGHT		1 PC
4	SIDE RAIL LEFT		1 PC
5	CENTRE RAIL		1 PC
6	HEADBOARD FRAME		1 PC
7	HEADBOARD VERTICAL RAIL		2 PCS
8	BENDWOOD SLAT		28 PCS
9	CENTRE RAIL SMALL BLOCK		2 PCS
10	LEG SUPPORT		1 PC



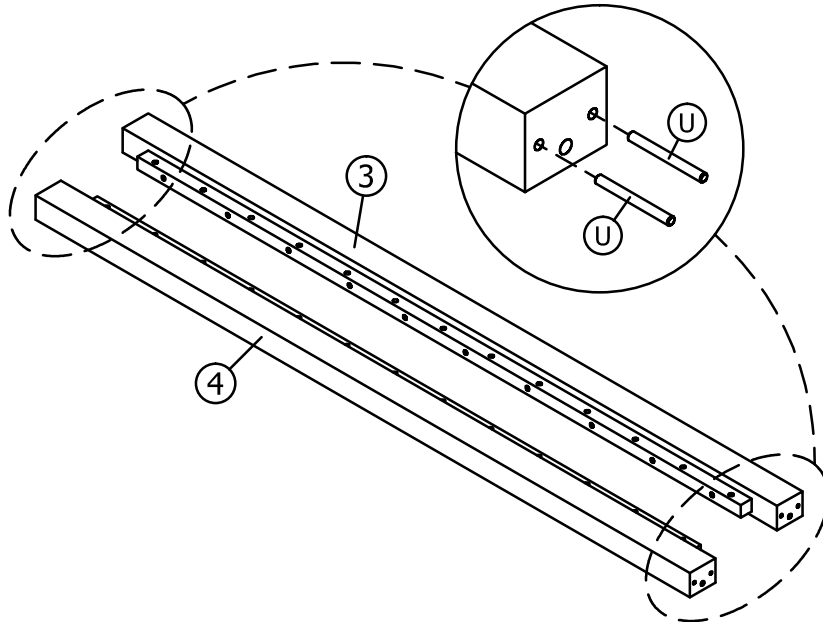
STEP 1



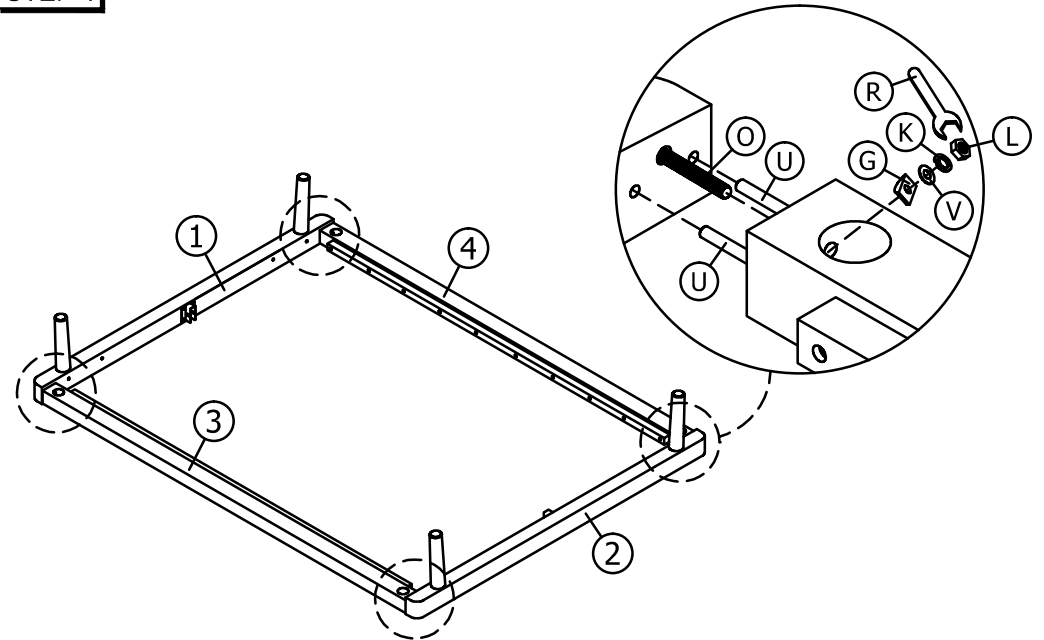
STEP 2



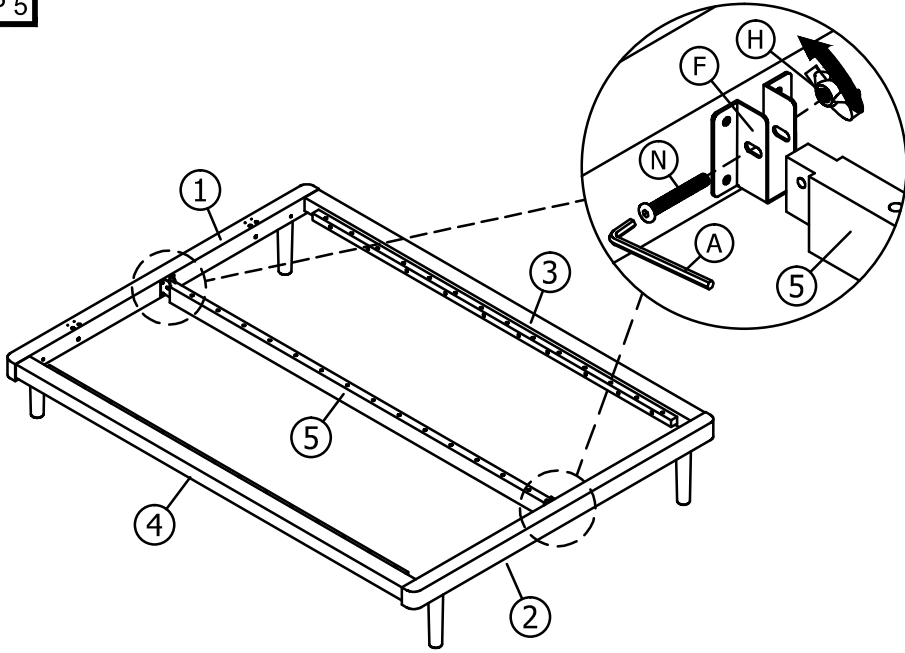
STEP 3



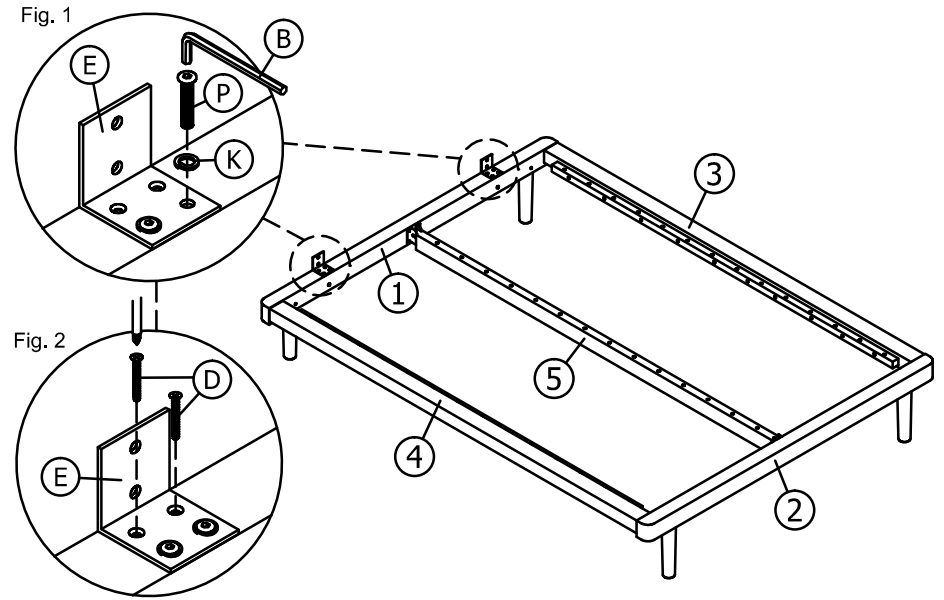
STEP 4



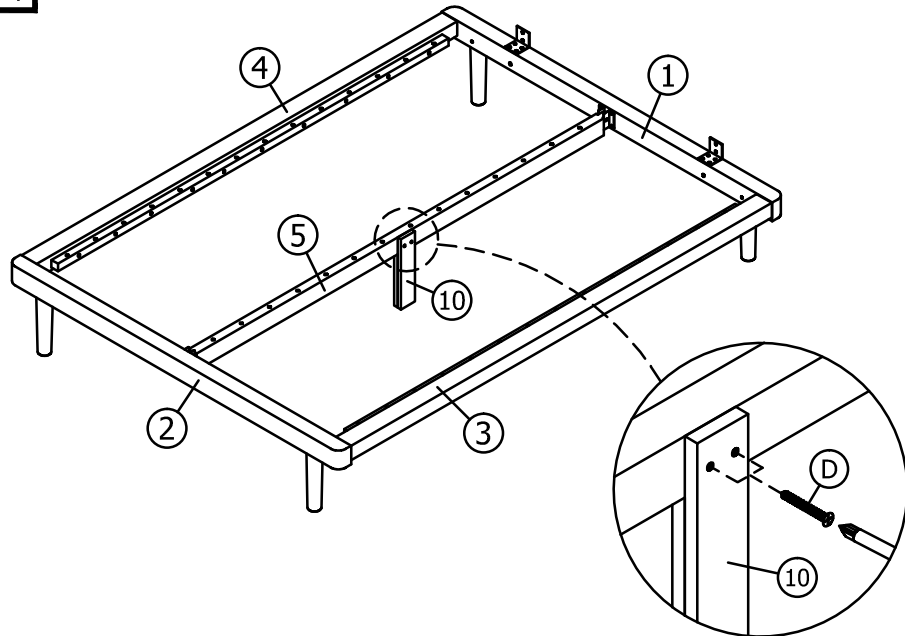
STEP 5



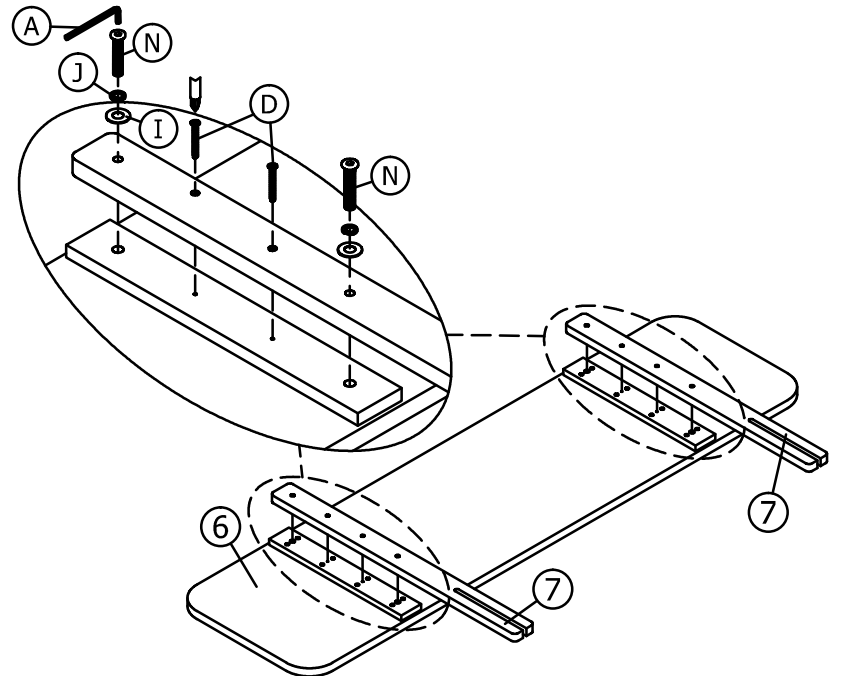
STEP 6



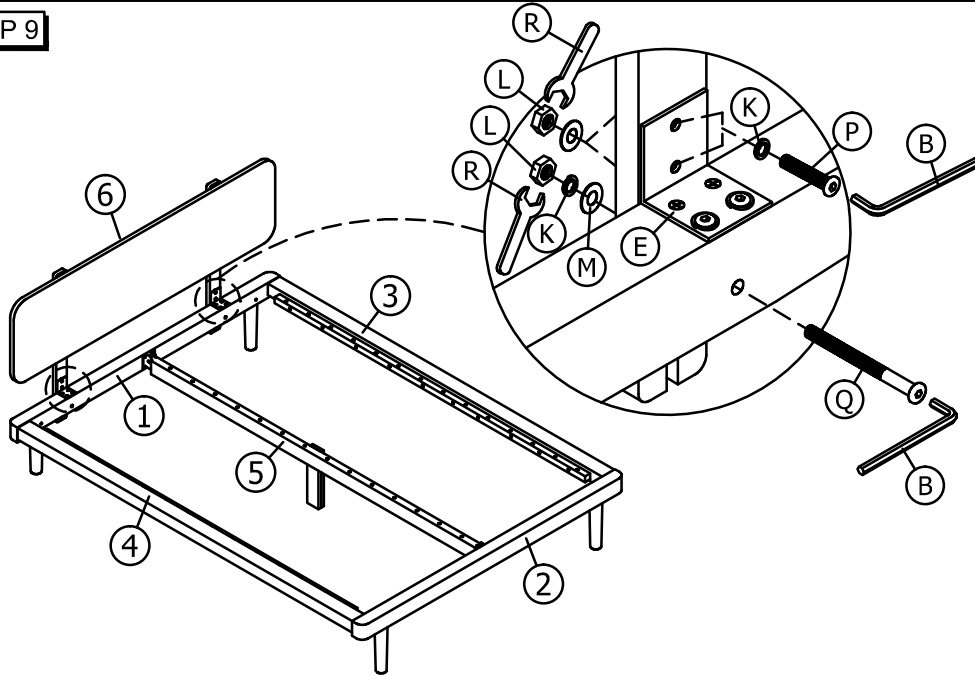
STEP 7



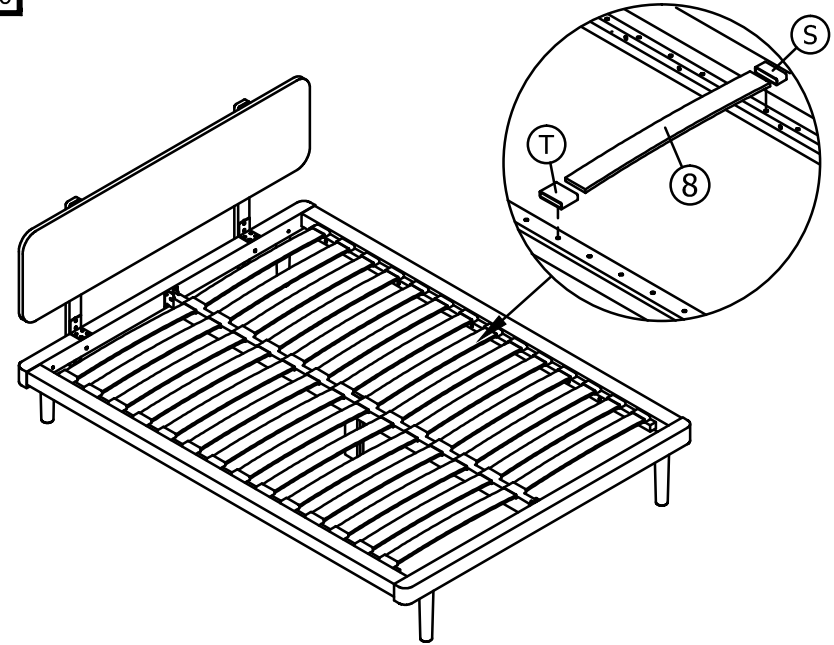
STEP 8



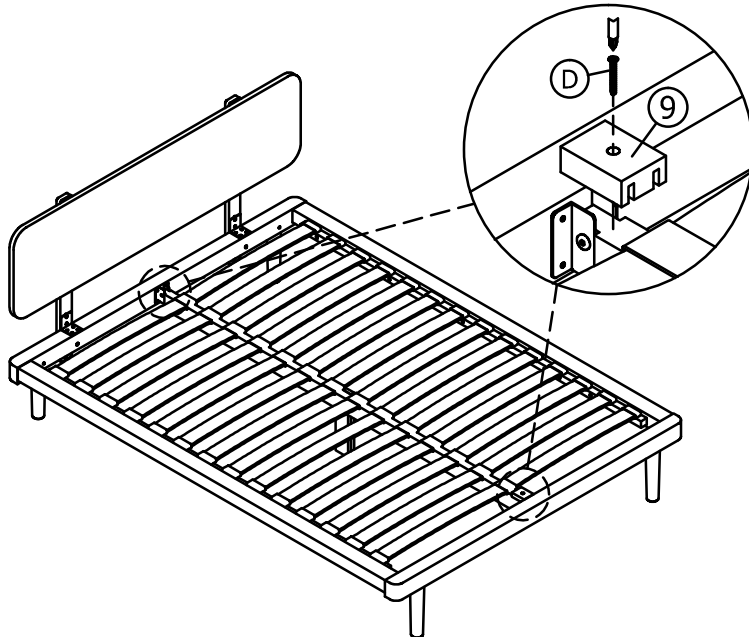
STEP 9



STEP 10



STEP 11



STEP 12

