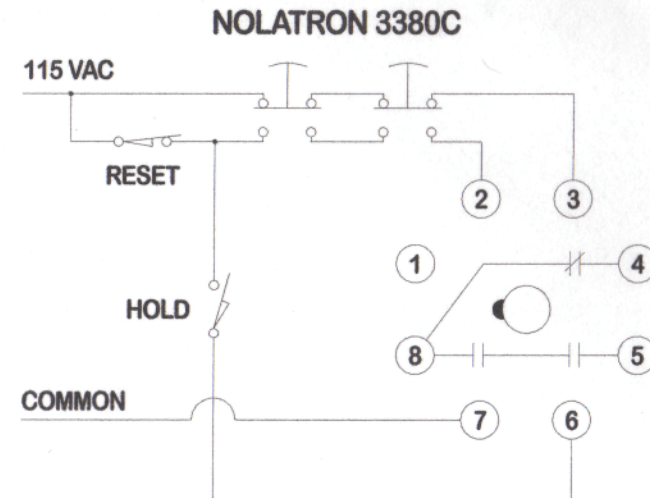
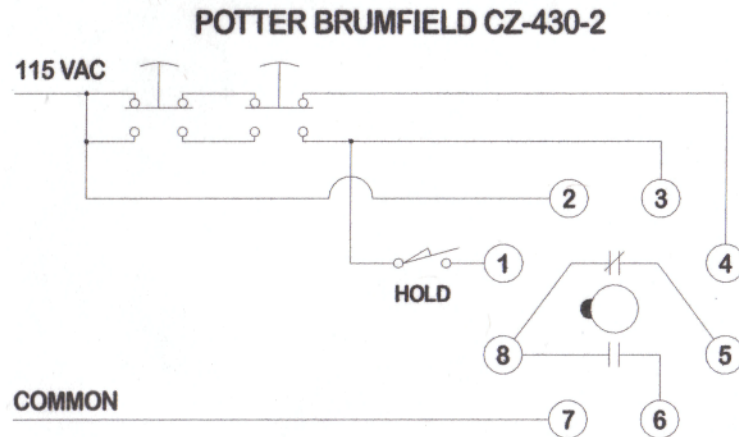


## 3380C WIRING COMPARED TO POTTER BRUMFIELD



POTTER & BRUMFIELD PIN 1 (HOLD SWITCH) = NOLATRON PIN 6 \*\*\* NOTE DIFFERENT CONNECTION FOR HOLD SWITCH

POTTER & BRUMFIELD PIN 2 (115 VAC) = NOT USED FOR NOLATRON 3380C

POTTER & BRUMFIELD PIN 3 (START SWITCH NORMALLY OPEN) = NOLATRON PIN 2

POTTER & BRUMFIELD PIN 4 (START SWITCH NORMALLY CLOSED) = NOLATRON PIN 3

POTTER & BRUMFIELD PIN 5 (NORMALLY CLOSED OUTPUT) = NOLATRON PIN 4

POTTER & BRUMFIELD PIN 6 (NORMALLY OPEN OUTPUT) = NOLATRON PIN 5

POTTER & BRUMFIELD PIN 7 (COMMON) = NOLATRON PIN 7

POTTER & BRUMFIELD PIN 8 (OUTPUT COMMON) = NOLATRON PIN 8

This information is provided for reference purposes only.

It is the user's responsibility to determine suitability for a specific application.

Nolatron Inc. is not responsible for any damage and / or injury as a result of using the information provided.

