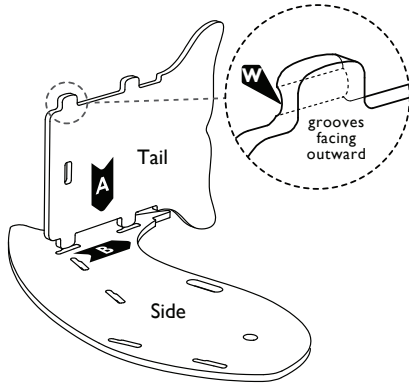




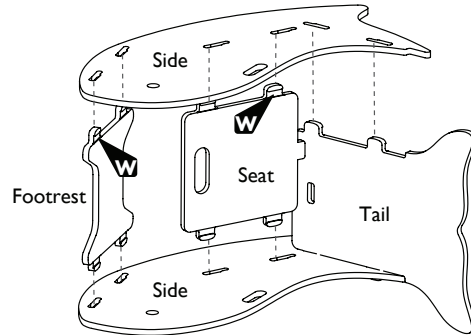
Simple. Modern. American Made.

THIS SIDE DOWN

1 Recognize that by choosing Sprout easy-to-assemble furniture you are about to save a half hour in assembly time. Take a moment to bask in the thought...



2 Place Side on ground or table. Put tabs of Tail into corresponding slots on Side, grooves **W** facing outward. Press downward fully **A**, then lock by pushing Side sideways **B** until joint is tight.



3 Put tabs of Seat and Footrest into corresponding slots on Side, with grooves **W** of Seat and Footrest facing inward. Place other Side on top, with slots going over corresponding tabs.

- !** Adult assembly only
- !** Assemble completely before use
- !** For children ages 3-7
- !** Weight capacity 150 lbs

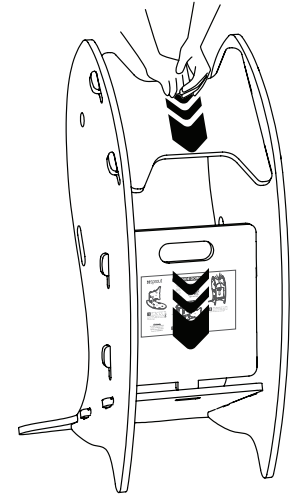
Parts List

- Whale Side (2x) - SD007KX
- Whale Tail - HZ011KW
- Whale Seat - HZ012KW
- Footrest - HZ009KW

see online assembly video



sprout-kids.com/wca



4 After tightening joint on other side of Tail, set chair upright on end, and push down Seat and Footrest until joints are locked tight. Now enjoy that half hour.